



Excellence for industrial coating.

Experience

Strong brands – strong performance

Whether for the wood industries, in the areas of infrastructure, agriculture and construction machinery, transport, automotive or domestic appliances: The WAGNER Group, with its WAGNER, Walther Pilot, Reinhardt-Technik and C.A. Technologies brands, provides perfectly aligned products and solutions for optimizing your entire coating, bonding, sealing and encapsulation processes. We offer a complete range of technologies to fit the material you use – liquid and powder coatings, adhesives or other fluid media. Our solutions, including tailor-made interface management, thus become a valuable link within your production processes.

The WAGNER Group operates globally with approximately 1,600 employees, 15 operative companies and about 300 international WAGNER sales branches. We have seven technology centers for research and development worldwide: In workshops equipped with the latest technology customers may apply coating to their product under real-life production conditions and determine the most cost-effective system configuration.

We ensure the high quality of all WAGNER products with a quality assurance system covering all business processes: design and development, production, process technology, marketing, sales and service.

WAGNER Accessory Catalog Liquid application 2018 / 2019

Consultation / contact person

We would be happy to advise you over the phone, alternatively please send an email to:

Customer Service Export:
Tel.: +49 (0) 7544 - 505 1927
E-Mail: cs-international@wagner-group.com

Technical Support Liquid:
Tel.: +49 (0) 7544 - 505 1925
E-Mail: ts-liquid@wagner-group.com

Legend



Liquid application



Complies with CE directive



Complies with ATEX directive



FM certified

Experience **fascinating surfaces**



Products from **WAGNER Industrial Solutions** stand for maximum reliability, quality for your specific requirements.



Furniture, walls, garden fences, construction machines, mobile phones, wheel rims, leather sofas, or perfume bottles - there is hardly any object that does not come with a coating. The reason is obvious: among others, the surface determines the function, durability and the attractiveness of an object.

Join us in the world of perfect surfaces. Our know-how makes WAGNER one of the world's leading manufacturers of devices and system for surface coating. Be inspired and rest assured that you will find the best solution for you here.

Content



	Mounting accessories and frame	10	Product supply
	Suction systems	16	
	Suction systems for Protective Coating	28	
	Product tank	36	
	Drum cover elevator	44	
	Agitators	54	
	System racks	68	
	Material filter return systems	84	Material processing
	Product pressure pressure gage	100	
	Product pressure regulator	104	
	Product heater	122	
	Product valves	128	
	Material hoses	136	Material hoses & fittings
	Material fittings	156	
	Gun flush box	172	Gun accessories
	Atomizing air heater	174	
	Nozzle extensions	176	
	Additional gun accessories	180	
	Air regulators & air filters	188	Air supply
	Health and safety	198	Miscellaneous
	Measuring devices and tools	206	

The logo features a stylized black triangle above the word "WAGNER" in a bold, black, sans-serif font, all contained within a bright yellow rectangular background.

We accept **challenges.**

WAGNER Industrial Solutions offers devices, equipment, and systems for all industrial surface coating applications. Our innovative products and solutions stand out due to their quality, efficiency and productivity.

As a market leading manufacturer of high tech systems, we offer components for the application of liquid and powder lacquers and paints to surfaces. As one of the few providers in this market we offer a complete product and technology range for the complete process sequence, starting with feeding the product, followed by mixing, moving and controlling to finishing the optimal application to the surface. Efficient use of resources, maximum quality and cost-effectiveness is our maxim - in every case!



WAGNER Development center

The modernly equipped WAGNER Development Center sets new standards for the development of products and solutions for the surface coating industry - be it for the first idea or the series production start. The WAGNER Development Center also ensures compliance with all national and international standards and regulation as part of the product development.

WAGNER Technology center

At our Markdorf site, WAGNER has a unique technology center with a floor space of more than 1,400 m² for liquid and powder coating. As well as using the center for our own product development and for training purposes, it is also available to product manufacturers and coaters, for them to work with WAGNER to develop process parameters and system configurations for optimum coating results.

WAGNER Service

Always near you - the WAGNER service network. WAGNER offers its customers a global service. At our locations you will always find the right contact person with an answer to all technical questions. We recommend regularly undertaking preventative checks and maintenance on your system. Various qualified and certified services (e.g. maintenance contracts, operational reliability checks) are available for this purpose.

WAGNER has a large network of qualified distributors around the world. Depending on their specialization, they provide not just components and spare parts but also solutions and various user advice services. For information about your nearest WAGNER dealer, please visit our website <http://www.wagner-group.com/en/service/service-for-industry/wagner-service-partners/>

Are you interested in becoming an agent for WAGNER industrial products? We can offer you comprehensive support with a wide range of services to assist you:

- Extensive training, providing information on applications, products, and services in the WAGNER Academy
- Marketing support for trade fairs, events, and your media presence
- Technical advice to help you design optimum solutions
- Competent service to support products during use
- Web-based dealer information and the WAGNER dealer shop
- Friendly customer service for special orders and developments



WAGNER

The new accessories catalogue.

Discover the highlights of 2018/19!



Lifters & drum covers

The standardized system components allow an easy combination with suction system, agitator and return for your individual application requirements.

See page 44



Agitators

Choose the right agitator from the wide range of electrically and pneumatically operated agitators. With the large selection of stirring blades - even for difficult materials - you always achieve perfect stirring of the material.

See page 54

Atomizing air heater

Improves the coating quality by heating the atomizing air to up to 60 degrees Celsius.

See page 174



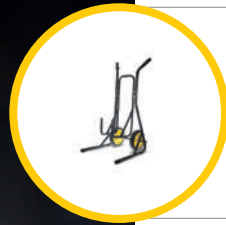


From tank to pump.

From flexible suction systems to product tanks, from agitators to drum cover elevators and complete system frames, Wagner provides indispensable components for reliably transporting the product from the tank to the pump and ultimately making product processing possible.



Product supply



Mounting accessories and frame

10



Suction systems

16



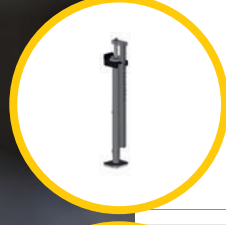
Suction systems for Protective Coating

28



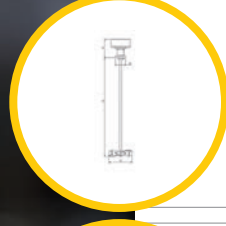
Product tank

36



Drum cover elevator

44



Agitators

54



System racks

68

Pump stands, trolleys and wall brackets

Frames, brackets, and trolleys for WAGNER pump and pressure tanks for mobile use and easy transportation. Wall brackets for assembling WAGNER pumps directly on walls or in pump frames. Special versions allow 90° rotated mounting of the pump.

1. Reliable

Robust metal construction.

2. Stable

Secure hold for attached pump.

3. Mobile

Flexible and mobile thanks to use of tires.

4. Safe

Secure stance thanks to stable construction.



Mounting for piston pumps

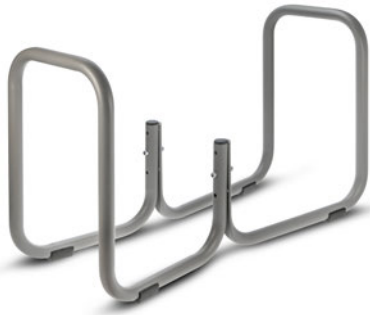
	EvoMotion 40-15S	EvoMotion 20-30S	Wildcat 18-40	Wildcat 10-70	Puma 28-40	Puma 21-110	Puma 15-150	EvoMotion 5-60S	Leopard 35-70	Leopard 35-150	Leopard 18-300	Jaguar 38-300	Leopard 8-600	Leopard 48-110	Jaguar 75-150	Jaguar 55-200	PROTEC 60-240	Tiger 72-300	
Wall mounting																			
Wall mounting 4" cpl.	●	●	●	●	●	●	●	●											2332143
Wall mounting 6" cpl.									●	●	●		●	●					2332145
Wall mounting 9" cpl.												●			●	●	●	●	369020
Stand																			
Stand 4" cpl.	●	●	●		●			●											2332374
Trolley																			
Trolley 4" cpl.	●	●	●	●	●	●	●	●											2325901
Trolley 6" cpl.									●	●	●			●					2325916
Trolley 4-Wheel EM 20-30S		●																	T6196.00
Trolley Protective Coating										●	●	●			●	●	●	●	2339705

Mounting for diaphragm pumps

	Zip 52	Unica 4-270	Cobra 40-10	Cobra 40-25	
Wall mounting					
Wall mounting 4" cpl. Cobra			●		2349756
Wall mounting Zip 52/80	●				T760.00M
Wall mounting Unica 4:1		●			T6151.00
Stand					
Stand Cobra 40-10			●		322052
Stand Cobra 40-25				●	2308732
Trolley					
Trolley Cobra cpl.			●	●	2341375
Trolley 4" cpl.	●				2325901

Frame for pumps

Lightweight and stable



Stand and frame for a pump. 4-leg frame for smaller IceBreaker pumps. Ideal when using rigid suction pipes.

Product supply
Mounting accessories and frame

Description	Product description	Art. No.
Stand 4" assy.	4-leg stand for smaller pumps. Ideal, e.g. for piston pumps with rigid suction system.	2332374
Stand Cobra	Frame stand to hold Cobra 40-10	322052
Base frame Cobra 40-25	Frame stand to hold Cobra 40-25	2308732
DD10 stand high	High stand for the DD10	2368206
DD10 stand small	Low stand for the DD10	2368231

2332374	2308732	2368206	2368231
Stand 4" assy.	Base frame Cobra 40-25	DD10 stand high	DD10 stand small

Trolley for pumps

Mobile and solide stand



Trolley with stable wheels for maximum mobility at the point of use

Product supply

Mounting accessories and frame

Description	Product description	Art. No.
Trolley 4" assy.	Pump frame for small piston pumps: Evomotion, Wildcat, Puma, ZIP 52	2325901
Trolley 6 assy.	Pump frame for Leopard piston pumps	2325916
Trolley PC	Trolley for large piston pumps for corrosion protection: Tiger, Jaguar, Leopard	2339705
Trolley Cobra assy.	Trolley for Cobra 40-10 and Cobra 40-25	2341375
4-wheel-trolley	Trolley for Evomotion	T6196.00
Trolley DD10	Trolley for the DD10	2368424

			
T6196.00	2339705	2341375	2368424
4-wheel-trolley	Trolley PC	Trolley Cobra assy.	Trolley DD10

Wall brackets for pumps

For IceBreaker and Cobra pumps

Wall brackets for direct wall mounting or installation in WAGNER system racks. Special versions allow 90° rotated mounting of the pump.

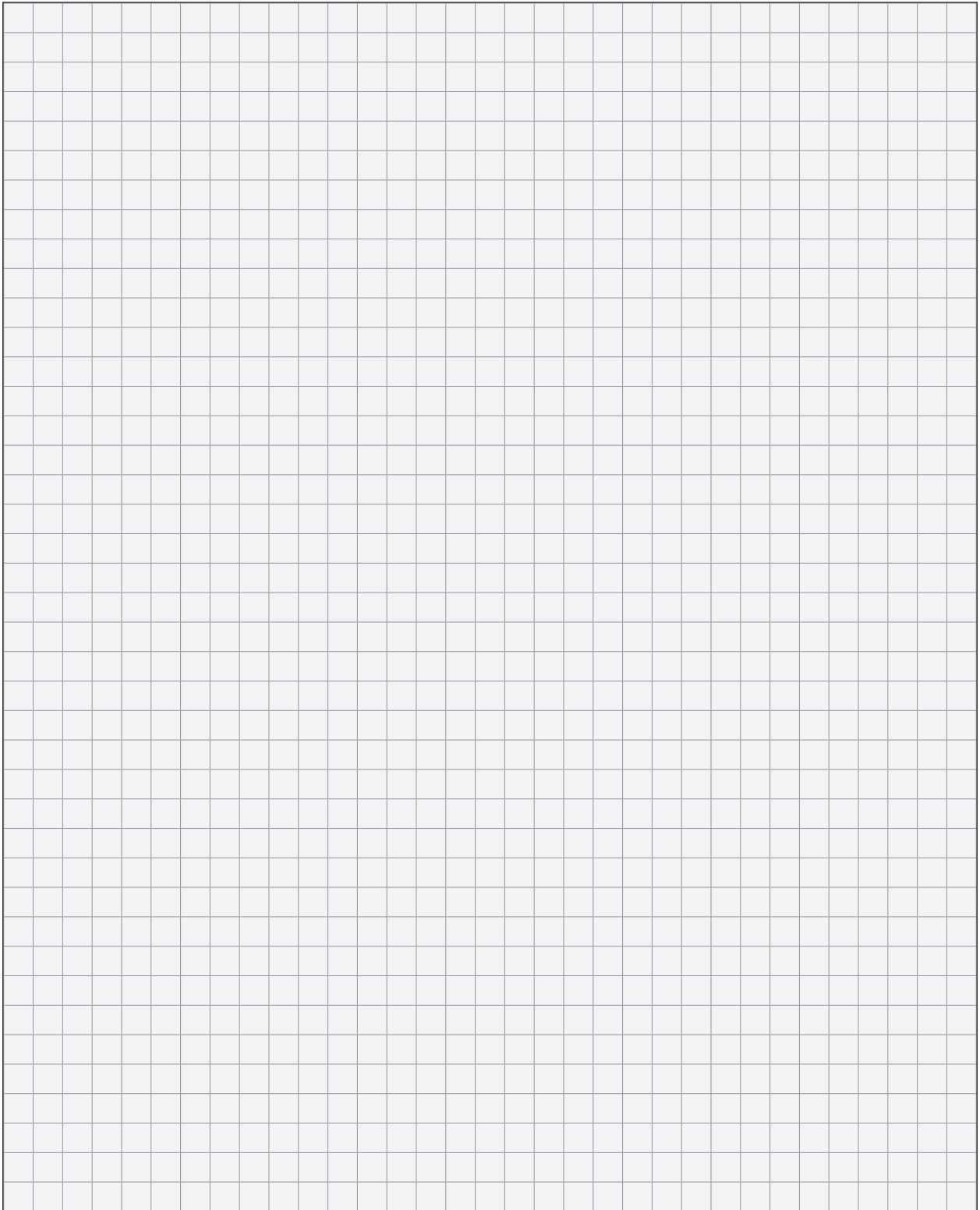


Product supply

Mounting accessories and frame

Description	Product description	Art. No.
Wall holder 9" assy.	Wall mount for holding a wall mount for Jaguar and Tiger piston pumps	369020
Wall holder 4" assy.	Wall mount for piston pumps EvoMotion, WildCat, Puma	2332143
Wall holder 6" assy.	Wall mount for Leopard pumps	2332145
Wall bracket EM31-40/Zip52 finish	Wall mount set for Zip 52 pump	T760.00M
Wall bracket Unica 4:1	Wand mount for Unica 4:1 pump	T6151.00
Wall support Cobra 40-10 assy.	4" wall mount for Cobra 40-10 pump	2349756
DD10 wall mounting	Wall mount for DD10	2368422

T760.00M	T6151.00	2349756	2368422
Wall bracket EM31-40/Zip52 finish	Wall bracket Unica 4:1	Wall support Cobra 40-10 assy.	DD10 wall mounting



Suction systems for the entire range of installations

Depending on the installation requirements, a large range of different suction components are available. With a few exceptions, the WAGNER suction system is provided with a standard M36 connection so that the suction components can be interchanged.

Rigid suction pipes are used if the pump is positioned directly above the paint container: fitted either on a frame or directly on an elevator. This is the shortest form of suction using the least product.

Flexible suction hoses for containers up to 40 cm in height permit flexible container installation and simple paint and flushing agent changes.

For complex suction systems, there are pipe bends, suction extensions and tubes available in various sizes, which if necessary can even be adapted to drums with a bung hole.

The WAGNER hoppers are fitted directly on the pump and make a high degree of flexibility and independence possible.

1. Rotary pump connection

Uniform, rotary pump connection.

2. Vacuum-resistant

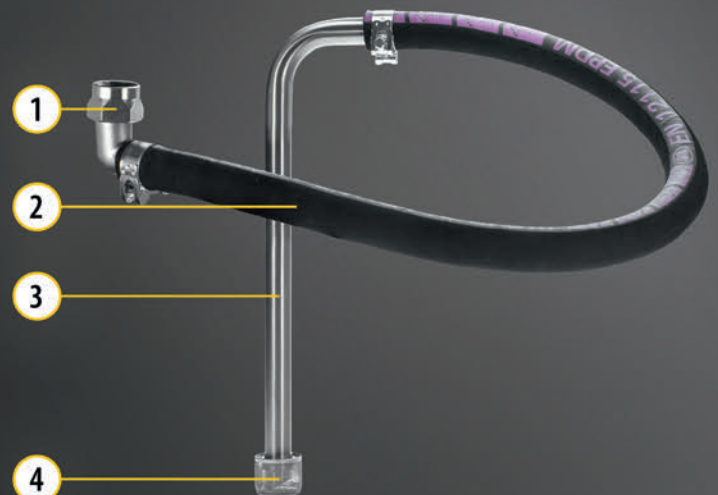
Vacuum-resistant suction hose with good resistance to solvents.

3. Stable

Stable stainless steel suction tubes.

4. With suction filter

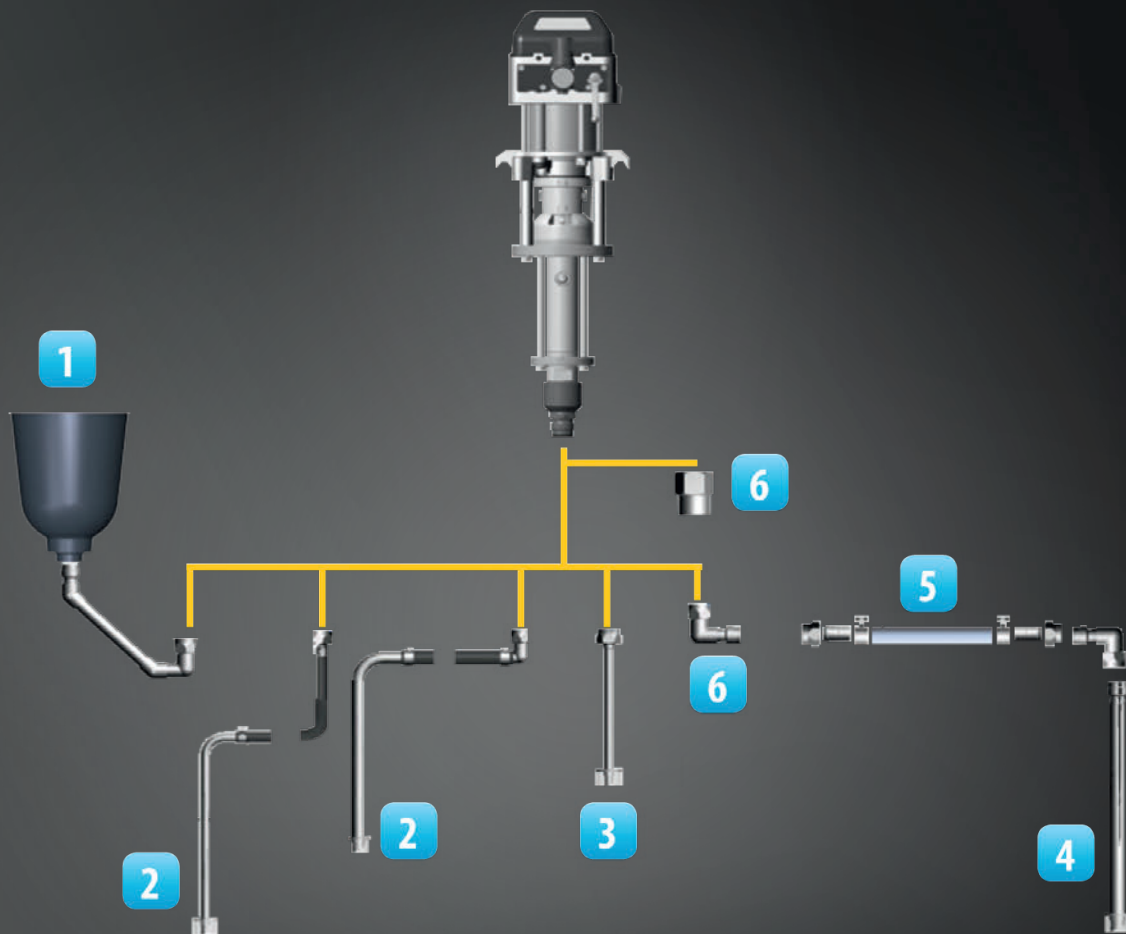
Paint suction filter made of stainless steel in various mesh sizes.



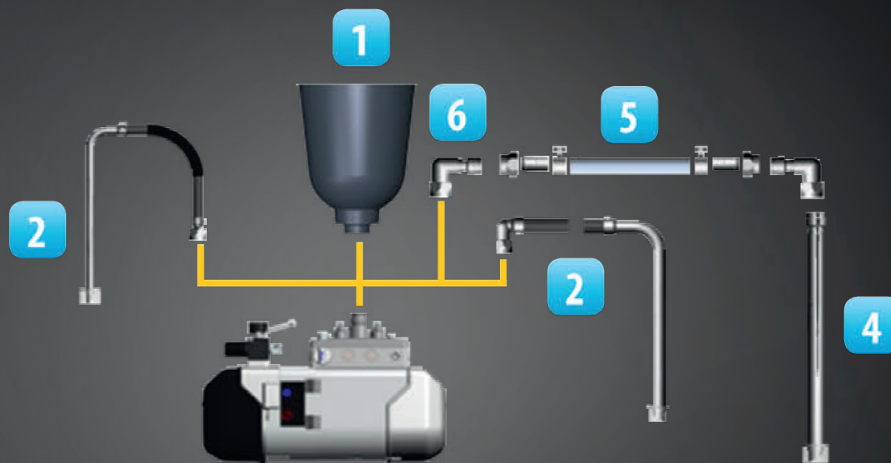
Suction systems for the entire range of installations

Depending on the requested suction system the following components are available:

- Rigid suction pipes: Suitable when the pump is directly mounted above the container either in a stand or a pump elevator. This is the shortest suction method offering the smallest waste of material and flushing.
- Flexible suction hoses for hobbocks up to 40 cm height: This system offers a high flexibility to position the container beside the pump. Easy to change from e.g. paint to flushing fluid.
- For complex suction systems WAGNER offers a wide range of pipes, elbows, suction filters and hose extensions in different sizes and dimensions.
- WAGNER hoppers are connected directly to the pump open the highest level of flexibility and independence.
- WAGNER suction systems are – despite few exceptions – uniquely based on the M36x2 threaded connection.



Depending on the type of pump, various components can be used to provide solutions for various installation requirements



- 1: Hopper kit
- 2: Suction hoses
- 3: Rigid suction tube DN 16 or DN 25
- 4: Suction tube for drum cover 30 l or 200 l
- 5: Hose extension
- 6: Adapter and fittings

Hoppers

For pistons and diaphragm pumps

1







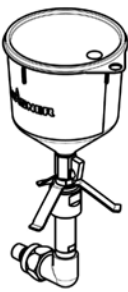
5 liter hopper for direct mounting at the pump for gravimetric feeding.



Product supply

Suction systems

Description	Product description	Art. No.
Hopper set 5L for piston pumps	Upper container with a 5-liter capacity for direct attachment to the piston pump. The main advantages of the container are the high level of mobility of the Spraypack and it is easy to clean	2332169
Hopper 5L Set ZIP	5l hopper with connection to the DD10 or Zip 52 Finishing.	2328487
Suction elbow for hopper SSt	For mounting hoppers of up to 5 liters to finishing piston pumps	2323225
Hopper black	Hopper with capacity of 5 liters without cover, as part of 2332169.	340265
Hopper 5L-cover	Cover for hopper, part of 2332169	340429
Set Hopper 2l	5l hopper with connection to the DD10.	2368788

				
2332169	2328487	340265	340429	2368788
Hopper set 5L for piston pumps	Hopper 5L Set ZIP	Hopper black	Hopper 5L-cover	Set Hopper 2l

Hopper Cobra

For Cobra pumps

1

Various hoppers for Cobra, easy to replace, e.g. to change color. The 20 l hopper was developed especially for Cobra 40-10 and 40-25. Made entirely of stainless steel, extremely robust and versatile, with standard WAGNER connection M36.

For suitable covers, see elevators and drum covers chapter: Drum cover type A-E with 365 mm diameter.



Product supply

Suction systems

Description	Product description	Art. No.
20 liter container	Stainless steel 20-liter hopper with M36 standard connection. Suitable for Cobra and Wagner piston pumps with the corresponding connection pipe bend	2341278
Hopper-set 5L-Cobra	5 litre hopper EX, for Cobra	2344505
2L-cup Cobra assy.	2-liter hopper set with bayonet adapter	2344741
Kit 2L-container cobra	2 liter hopper with cover suitable for bayonet adapter	2344765

		
2341278	2344505	2344741
20 liter container	Hopper-set 5L-Cobra	2L-cup Cobra assy.

Hoppers

Small quantity cup

1



Assembly with lid & seal



Product supply

Suction systems

Description	Product description	Max. capacity	Art. No.
		1	
PU gravity feed cup SPA 10 pcs.	Assembly with lid & seal	0.7	2327245
PU sieve insert SPA easy line 10 pcs.	Filter inset for small quantity cup		2327251
Gravity feed cup adapter Walther	Adapter for Walther Pilot 600ml cup		2321339
Gravity feed cup adapter 3M	Adapter for 3M cup system		2320842

	
2321339	2320842
Gravity feed cup adapter Walther	Gravity feed cup adapter 3M

Flexible suction hoses

M36x2 or G1½" cap-nut

2

Flexible suction hoses for piston and double diaphragm pumps, either with DN 25 or DN 16 hose made from solvent-resistant material. For containers with a height of up to 400 mm.



Description	Material	Connection	Hose length	Inside Ø	Filter connection	Art. No.
			m	mm		
Suction hose DN16-SSt assy.	Stainless steel	M 36x2	1.2	16	G 3/8"	2324110
Suction hose DN25-SSt assy.	Stainless steel	M 36x2	1.2	25	M 28x1.5	2324116
Suction hose DN38-SSt assy.	Stainless steel	G1 1/2"	1.8	38	G1 1/4"	2329592
Fitting DF-MM-R1½"-G1½"-PN15-SSt	Stainless steel	R1 1/2"			G1 1/4"	2329073
DD10 Suction Hose	Stainless steel	G1 1/2"	0.9	16		2369022

Rigid suction pipes

For piston pumps with M36 connection thread

3



Rigid suction pipes for piston pumps with an M36x2 external thread. No other tools are needed for sealing. The connection can be disconnected at any time for maintenance work.

Made entirely from stainless steel with suction screen.

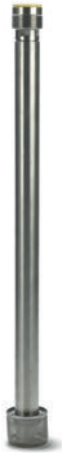
Description	Connection	Pipe length	Art. No.
		mm	
Suction pipe DN16-SSt assy.	G 3/8"	380	2324158
Suction pipe assy. DN25	M 28x1.5	380	2323239

Suction pipe

For drums and drum covers

4


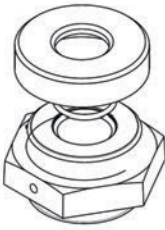

Drum cover suction tubes DN 25 (1") with M36 hose connection, straight design. Fit directly in the bushing of the WAGNER drum cover and are fixed with a clamp screw.



Product supply

Suction systems

Description	Material	Incl. filter	Connection	Pipe length	Inside Ø	Filter connection	Art. No.
				mm	mm		
Suction pipe DN25-30L-SSt assy.	Steel - 1.4571	Yes	M 36x2	506	25.4	M 28x1.5	2324241
Suction pipe DN25-200L-SSt assy.	Steel - 1.4571	Yes	M 36x2	1016	25.4	M 28x1.5	2324238
Set suction holder DN25 bunghole 2"	Steel - 1.4571				25.4		2315163
bung adapter	Aluminum				28.5		2305390
DD10 module lid	Steel - 1.4571	Yes	G 1/2"	436	16	R 1/2"	2368238

		
2315163	2305390	2368238
Set suction holder DN25 bunghole 2"	bung adapter	DD10 module lid

Extension hoses

For suction systems

5



Highly flexible suction hoses available by the meter either in EPDM or UHMW-PE, nominal pressure 10 bar, totally vacuum-resistant. Hose fittings for suction hose DN 16 and/or DN 25 to flexibly produce hose extensions and supply lines from vessel to pump. Assembly with hose clip and contact tab for electrical conductivity. Hose sleeve and clip made of stainless steel.

Product supply

Suction systems

Description	Inside Ø mm	Hose material	Art. No.
LP-hose DN12-PN10-EPDM	12	EPDM	2333099
Hose EPDM-DN16	16	EPDM	2323329
LP-hose DN25-PN10-EPDM	25	EPDM	2323474
Hose EPDM/UHMWPE-DN16	16	UHMW-PE	2323597
Hose EPDM/UHMWPE-DN25	25	UHMW-PE	2323595
Hose fitting - set DN25	25.4		2325408
LP-hose fitting DN16-M36-SSt	25.4		2325390

	
2325408	2325390
Hose fitting - set DN25	LP-hose fitting DN16-M36-SSt

Air suction filter

For suction pipes and hoses

Suction filters for rigid suction pipes and flexible suction hoses with different connecting threads.



Description	Mesh width µm	Filter connection	Art. No.
Suction filter DN16-18mesh-SSt	1000	G 3/8"	2323396
Suction filter DN25-18mesh-SSt	1000	M 28x1.5	2323325

Fittings

For suction systems

6







Pipe bends, fittings & adapters for flexible design of complex suction systems in industrial paint supplies. All wetted parts are made from stainless steel.

Product supply

Suction systems

Description	Thread 1	Thread 2	Art. No.
Fitting DF-FF-G3/4"-M36x2-SSt	G 3/4"	M 36x2	2322693
Fitting DF-FF-G1"-M36x2-SSt	G 1"	M 36x2	2322692
Fitting DF-MM-M36x2-M36x2-SSt	M 36x2	M 36x2	2329558
Fitting-DF-MM-R1/2"-M36x2-SSt	R 1/2"	M 36x2	2329560
Fitting-DF-MM-R1"-M36x2-SSt	R 1"	M 36x2	2329562
Fitting-DF-MM-R3/4"-M36x2-SSt	R 3/4"	M 36x2	2329561
Suction manifold DN25-SSt	M 36x2 I	M 36x2 A	2324247

			
2322693	2329558	2329560	2324247
Fitting DF-FF-G3/4"-M36x2-SSt"	Fitting DF-MM-M36x2-M36x2-SSt	Fitting-DF-MM-R1/2"-M36x2-SSt	Suction manifold DN25-SSt

Suction systems for Protective Coating

There are various accessories available for Protective Coating:

Rigid suction pipes for high-viscosity products.

Flexible suction hoses for high-viscosity products and flexible container installation.

Pipe bends and fittings with DN38 are available for complex suction systems



PC rigid suction pipes

For PROTEC pumps



Rigid suction pipes for PC piston pumps with G1 1/2" external thread. Ideal for drawing in viscous products thanks to the short suction travel, complete with paint filter.

Description	Material	Connection	Pipe length	Art. No.
			mm	
SSt-suction pipe-G1½"-270-cpl.	Stainless steel	G1 1/2"	270	370151
SSt-suction pipe-G1½"-475-cpl.	Stainless steel	G1 1/2"	475	369151

PC flexible suction hoses

For PROTEC pumps



Flexible suction hoses for protective piston pumps with DN 38 hose made from solvent-resistant material. For containers with a height of up to 400 mm.

Description	Connection	Hose length	Inside Ø	Mesh width	Art. No.
		m	mm	µm	
suction system DN 38-PC cpl.	G1 1/2"	1.2	38	1400	2325815
Suction hose set DN38-PC-G11/2	G1 1/2"		38	1400	2352549



2352549

Suction hose set DN38-PC-G11/2

Connection set comprising DN 38 suction hose 2325815 including filter, connector fitting, and elbow for use with paint containers. Can be used for Jaguar 75-150, Jaguar 55-200, Jaguar 60-240, and Tiger 72-300.

Suction hose 2329134 available by the meter.





PC fittings

For PROTEC systems

Fittings & adapters for flexible design of complex suction systems in industrial paint supplies. All wetted parts are made of stainless steel.



Description	Product description	Thread 1	Thread 2	Art. No.
Fitting-DF-MM-R1½"-M36-PIN15-SSt	Connector fitting for assembling the WAGNER standard suction systems with an M36 connection	R 1 1/2"	G 1 1/2"	2329563
Fitting DF-MM-R1½"-G1½"-PN15-SSt	Connector fitting incl. seal for Jaguar and Tiger pumps for mounting flexible suction hose 2329592 with stainless steel tube	R 1 1/2"	G 1 1/2"	2329073
Fitting-DF-MM-G1½"-Rd55x1/6"-PN25-CS	Double fitting	G 1 1/2"	RD 55x1/6"	2336489
Cone clutch ID38	Cone coupling rapid fastener for 1½" suction systems	RD 55x1/6"		2336488

			
2329563	2329073	2336489	2336488
Fitting-DF-MM-R1½"-M36-PIN15-SSt	Fitting DF-MM-R1½"-G1½"-PN15-SSt	Fitting-DF-MM-G1½"-Rd55x1/6"-PN25-CS	Cone clutch ID38

PC bow

For PROTEC pumps

Suction pipe bend for Protective Coating
90° MF with thread R 1½" - G 1½". Zinc-plated steel



Description	Connection	Art. No.
Fitting-EF-FM-G1 1/2-G1 1/2-PN25-TG	G1 1/2"	2329019
Suction tube PC assy.	G1 1/2"	2348257

PC filter

For PROTEC pumps

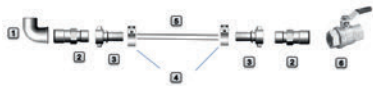
DN 38 suction filters for rigid suction pipes and flexible suction hoses and systems for Protective Coating applications.



Description	Mesh width	Filter connection	Art. No.
	µm		
Suction filter DN38-12.8mesh-SSt	1400	G1 1/4"	2329596

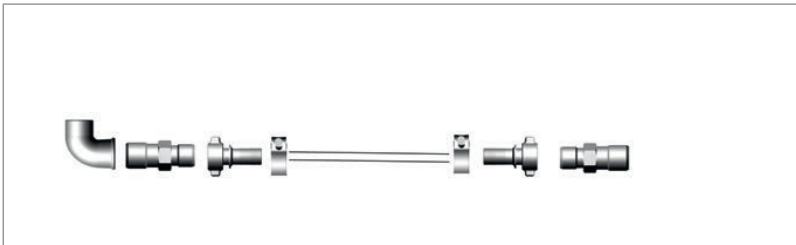
PC parts for suction system, heated FMB

For PROTEC pumps



Flexible, modular system with suction hose with 1 1/2" components, e.g. for a paint container. Can be used for Jaguar 75-150, Jaguar 55-200, Jaguar 60-240, and Tiger 72-300.

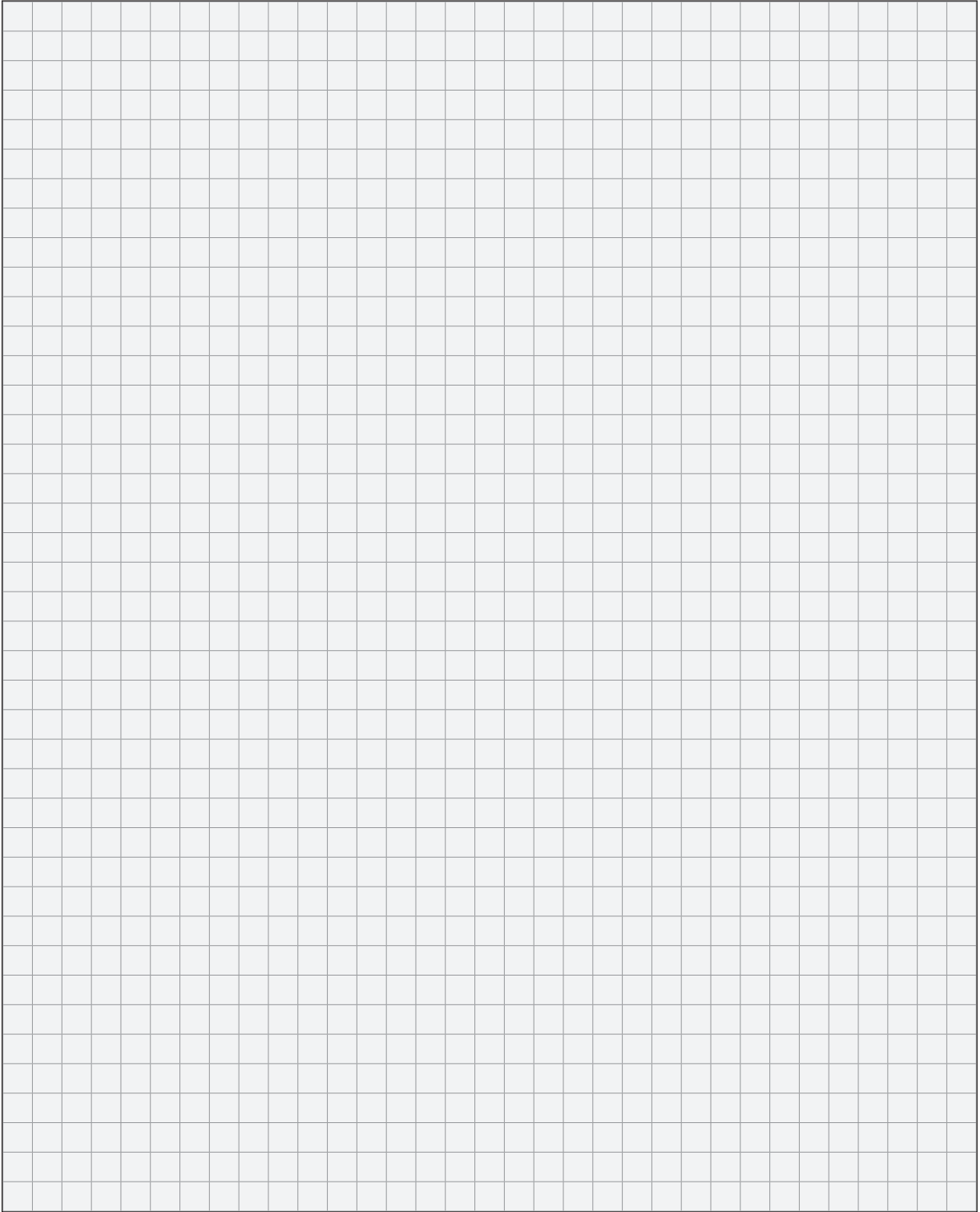
Description	Connection	Item	Art. No.
Fitting-EF-FM-G1 1/2-G1 1/2-PN25-TG	G1 1/2"	1	2329019
Fitting-DF-MM-G1½#-Rd55x1/6"-PN25-CS	G1 1/2"	2	2336489
Cone clutch ID38	G1 1/2"	3	2336488
Ball-Type Valve	G1 1/2"	6	3202719
ND-Hose DN38-PN10-EPDM	G1 1/2"	5	2329134
Heavy duty clamp D48-51		4	2329591
Suction hose set DN38 (1 1/2") container			2354480



2354480

Suction hose set DN38 (1 1/2") container

Flexible, modular system with 1 1/2" components and 1 m suction hose for connecting to a heated paint container. Can be used for Jaguar 75-150, Jaguar 55-200, Jaguar 60-240, and Tiger 72-300.



Material containers

Material containers for paint supply and storage. Containers are available in different versions and sizes. For sensitive fluids such as isocyanate hardeners hermtically sealed containers are offered. Air drying equipment or nitrogene supply can be selected optionally. For special requests or special dimensions please contact your WAGNER sales organisation.

1. Protects the product

Hermetically sealed variant or flap cover provides product protection.

2. Easy to fit

Use of existing connections makes it easy to use.

3. With level indication

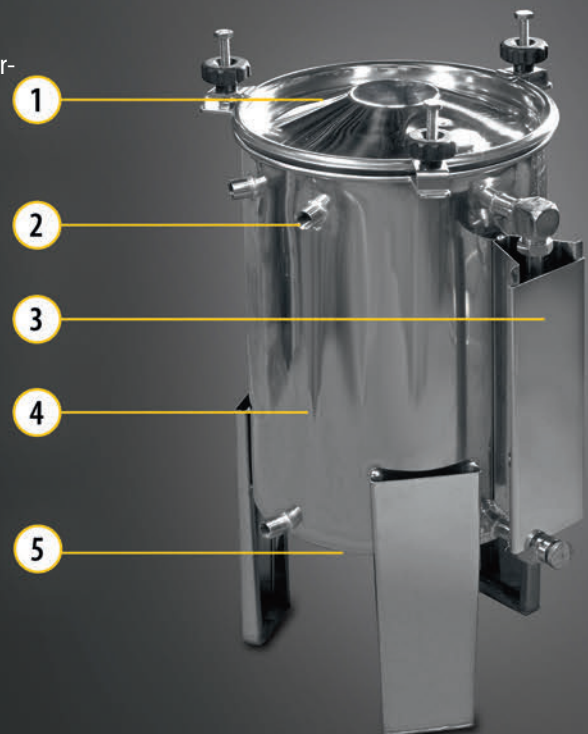
Available as an option

4. Robust

Robust stainless steel container, glass bead blasted or polished.

5. Economic use of material

Save product by using an inclined base and/or drainage connection on the underside of the base.



Stainless steel containers

Stainless steel containers with openable lid or hermetically sealed cover for material supply units or paint storage. They are equipped with a bottom outlet connection and possibility to install e.g. recirculation and agitators. Two different designs are available:

Standard stainless steel tanks with inclined bottom

Polished stainless steel tanks with central bottom drainage

If other specifications are requested please contact your local sales organisation.



Nitrogene control system

Provides controlled inert gas (nitrogen) supply pressure to hermetically sealed tanks in order to inhibit hydro-reactive material from crystallization. E.g. catalysts for two-components polyurethane products with a high content of isocyanates. The system gives acoustic alarm when nitrogen gas pressure runs out. System safety is guaranteed by overpressure block device, monitoring necessary intervention.



Silikagel filter

Silikagel absorbs air-humidity by means of its hygroscopic property. Used whenever moisture sensitive material is stored or processed in hermetic atmosphere in order to dry the air before exposing to the material.

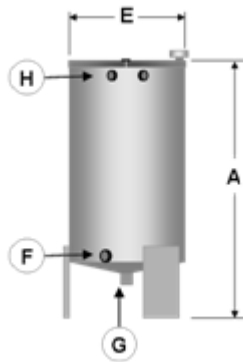


Stainless steel container, polished

Openable or hermetically sealed

Product supply

Product tank



Lightweight containers, stainless steel, polished surface. With openable lid for paint supply and storage. Equipped with in- and outlet connections for e.g. material, circulation, measurement equipment or agitator. Additional drain connection at the conical bottom.

Description	Connection F	Connection H	Length A	E	Connection F	Total capacity [liter]	Folding cover	Art. No.
			mm	mm		l		
FBP 50L-tank with agitator	G 1/2" M	G 3/8" F	930	300	G 1/2" M	50	Yes	RG52.050SACM
FBP 100L-tank with agitator	G 1" M	G 3/8" F	1030	400	G 1" M	100	Yes	RG52.100SACM
FBPH30L-hermetic tank	G 1/2" M	G 3/8" F	670	300	G 1/2" M	30	No	RG41.030E
FBPH50L-hermetic tank	G 1/2" M	G 3/8" F	950	300	G 1/2" M	50	No	RG41.050E
FBPH100L-hermetic tank	G 1" M	G 3/8" F	1050	400	G 1" M	100	No	RG41.100E
FBP50L-open tank	G 1/2" M	G 3/8" F	930	300	G 1/2" M	50	Yes	RG42.050S
FBP100L-open tank	G 1" M	G 3/8" F	1030	400	G 1" M	100	Yes	RG42.100S

Nitrogene control system

Indication of pressure loss



Provides controlled inert gas (nitrogen) supply pressure to hermetically sealed tanks in order to inhibit hydro-reactive material from crystallization. E.g. catalysts for two-components polyurethane products with a high content of isocyanates. The system gives acoustic alarm when nitrogen gas pressure runs out. System safety is guaranteed by overpressure block device, monitoring necessary intervention.

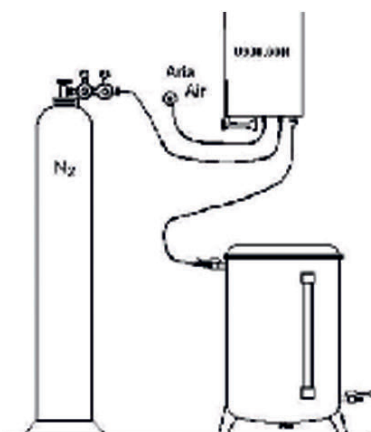
1st stage pressure regulator (to be mounted on the Nitrogene container) NOT included.

Product supply

Product tank

Description	Nitrogen outlet connection	Max. nitrogen inlet pressure	Min. air inlet Ø	Max. control air pressure	Nitrogen inlet Ø	Art. No.
		bar	mm	bar	mm	
Nitrogen bottle-pressureregulator	I-G 1/4"	4	4	6	6	3201953
Nitrogen Control System-basic	I-G 1/4"	4	4	6	6	U930.00N
Nitrogen Control System-FBHP300	I-G 1/4"	4	4	6	6	U930.00NC
Nitrogen Control System-FBHP50	I-G 1/4"	4	4	6	6	U930.00NCA

Applies to item 3201953: Nitrogen bottle according to EN ISO 11117. Installation diagram for nitrogen monitoring.



Air dryer

Silicagel filter



Silicagel absorbs humidity due to its hygroscopic behaviour. Suitable to dry air before exposing to hydro reactive material in hermetically sealed containers.

Product supply

Product tank

Description	Air inlet connection	Air outlet connection	Art. No.
Silicagel-Filter cpl.	F-G 1/4"	G 1/4"-F	3208084
Silicagel-Filter	F-G 1/4"	G 1/4"-F	3204170
Pre-Filter	F-G 1/4"	G 1/4"-F	3204421
Wall bracket			3204781
Recharge granulate			3204420
Silica gel filter			T034.00K
Recharge package Silica-Gel			Z114.00C
Silicagel-Filter direct mounted			T034.00

3208084	T034.00
Silicagel-Filter cpl.	Silicagel-Filter direct mounted
Silica gel filter 3208084 completely pre-assembled including wall bracket.	Silica gel filter without assembly material.

T034.00K includes connector curved pipe and 3/8" thread connection to container.

Inliners

For pressure pots LDG and MDG



Inline containers for pressure pots keep the pot body clean and are easy to change-either for reloading or cleaning purpose.

Product supply

Product tank

Description	Material	Art. No.
Inliner LDG-5 PP-EC	Polypropylene	V4300050000
Inliner LDG10 PP-EC	Polypropylene	V4300100000
Inliner LDG5 stainless steel	Stainless steel	V4300050013
Inliner LDG10 SSt 316TI	Stainless steel	V4300100013
Inliner LDG20 stainless steel	Stainless steel	V4300200013
Inliner MDG12 stainless steel	Stainless steel	V4300120003
Inliner MDG22 stainless steel	Stainless steel	V4300220003
Inliner MDG24 stainless steel	Stainless steel	V4300240003
Inliner MDG45 stainless steel	Stainless steel	V4300450003
Inliner MDG60 stainless steel	Stainless steel	V4300600003
Inliner MDG90 stainless steel	Stainless steel	V4300900003

Heated container

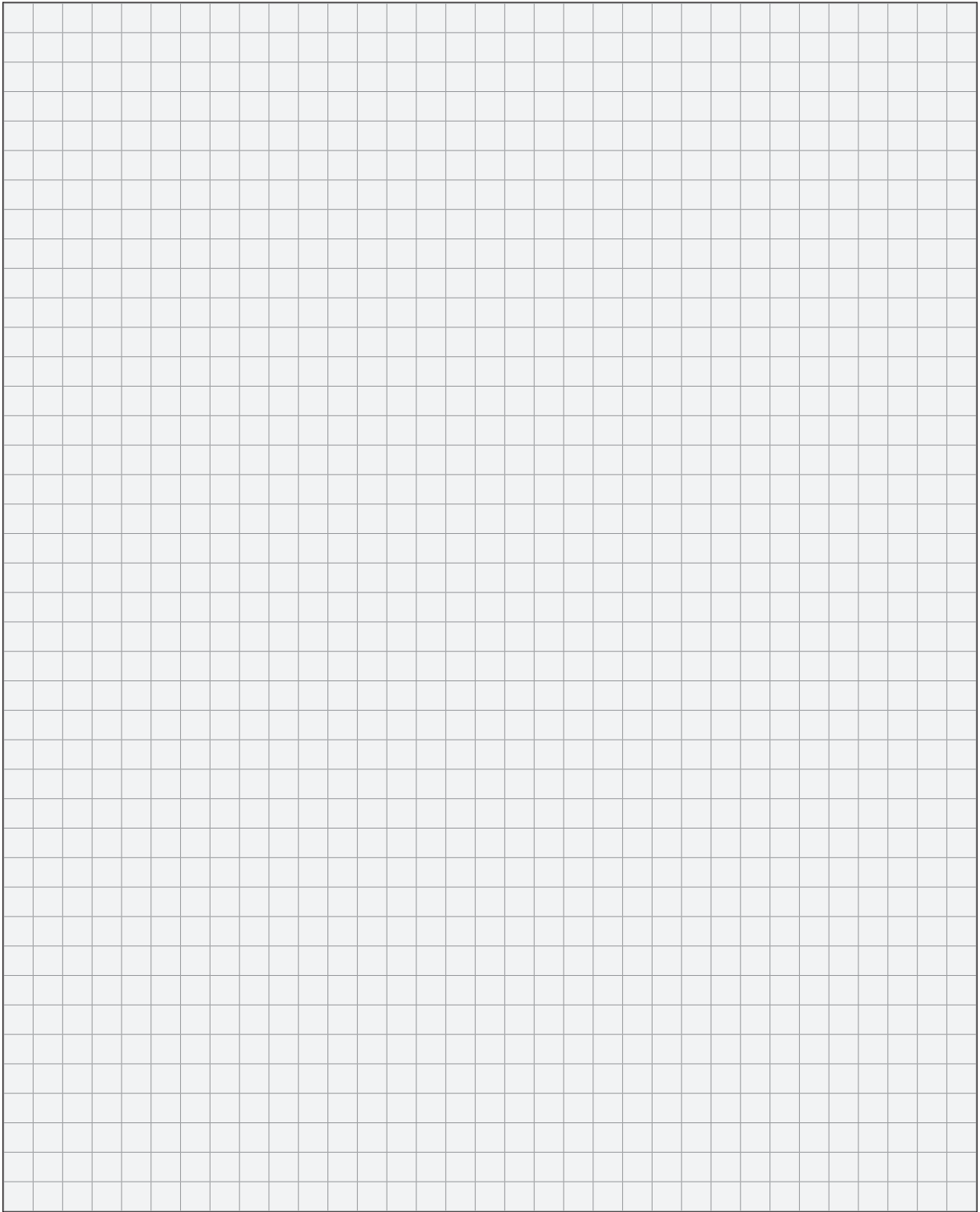
For products which are difficult to process



Heated stainless steel product container including agitator and stirrer with a max. speed of 200 rpm, ATEX version as option. The lid can be folded by 1/3. The tank is fitted with an inclined base and a material drain at the bottom with a G 1 1/2" inner thread.

ATEX versions are equipped with integrated level monitoring for the heating medium including analyzer.

Description	Total capacity [liter]	ATEX classification	Art. No.
	l		
FMB-35 HZM DRW VA EHK n.Ex Wagner	35	No	2351744
FMB-35 HZM DRW VA EHK Ex Wagner	35	Yes	2351745
FMB-60 HZM DRW VA EHK n.Ex Wagner	60	No	2351746
FMB-60 HZM DRW VA EHK Ex Wagner	60	Yes	2351748



Elevator systems and drum covers

Elevator equipment available for standard 30 L hobbocks or 200 L drums. With the smart range of interchangeable components it's easy to make the right selection for the individually designed paint supply system due to customers' special demands.

WAGNER drum cover elevators perfectly fit into pump racks system 1 & 3. They are especially designed for use in professional material supply installations: Non rotatable for precise positioning and extremely robust. The elevator keeps its position even in the event of a sudden pressure loss thanks to pilot-operated non-return valves.

For operating the lifters, 3 different control units are available for each type:

- Single up/down control by a 3/5 way valve with reject spring (dead-man-switch)
- Up/down control with two-hand operation
- Additional versions include the control for electric or pneumatic agitators including proximity switches or barrel query, which allows agitator operation in down position of the elevator only.

1. With adjustable air supply

For connection to your compressed air supply

2. Agitator On/Off switch

For pneumatic or electric agitators.

3. Automatic switch-off

Automatic agitator switch-off when the lid is lifted. For your safety, the agitator must be switched on again manually after lowering.

4. Flexible fitting options

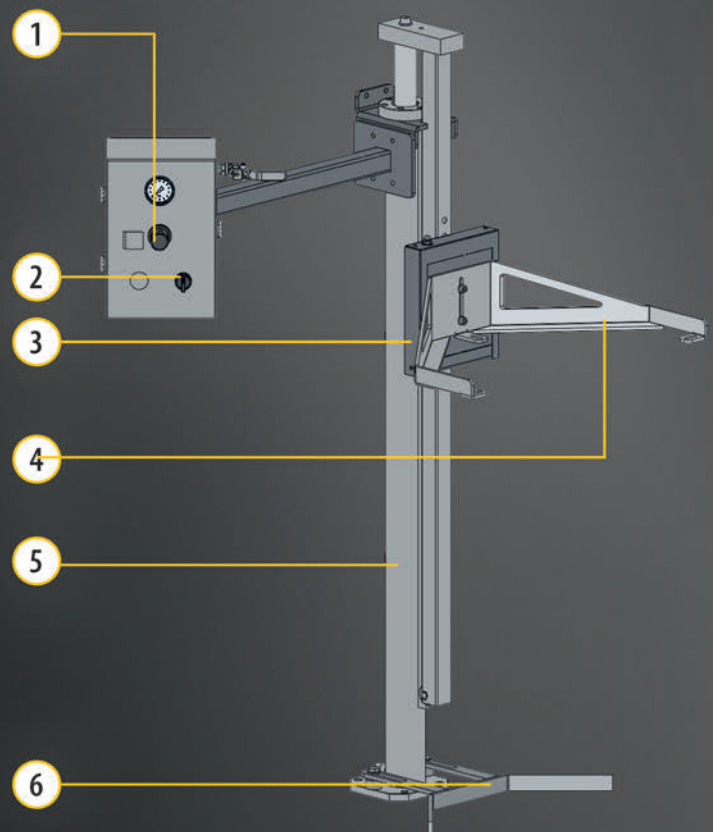
Flexible thanks to various brackets and cover versions.

5. Robust

Extremely robust lift cylinder.

6. Precise

Stop for precisely positioning the container.

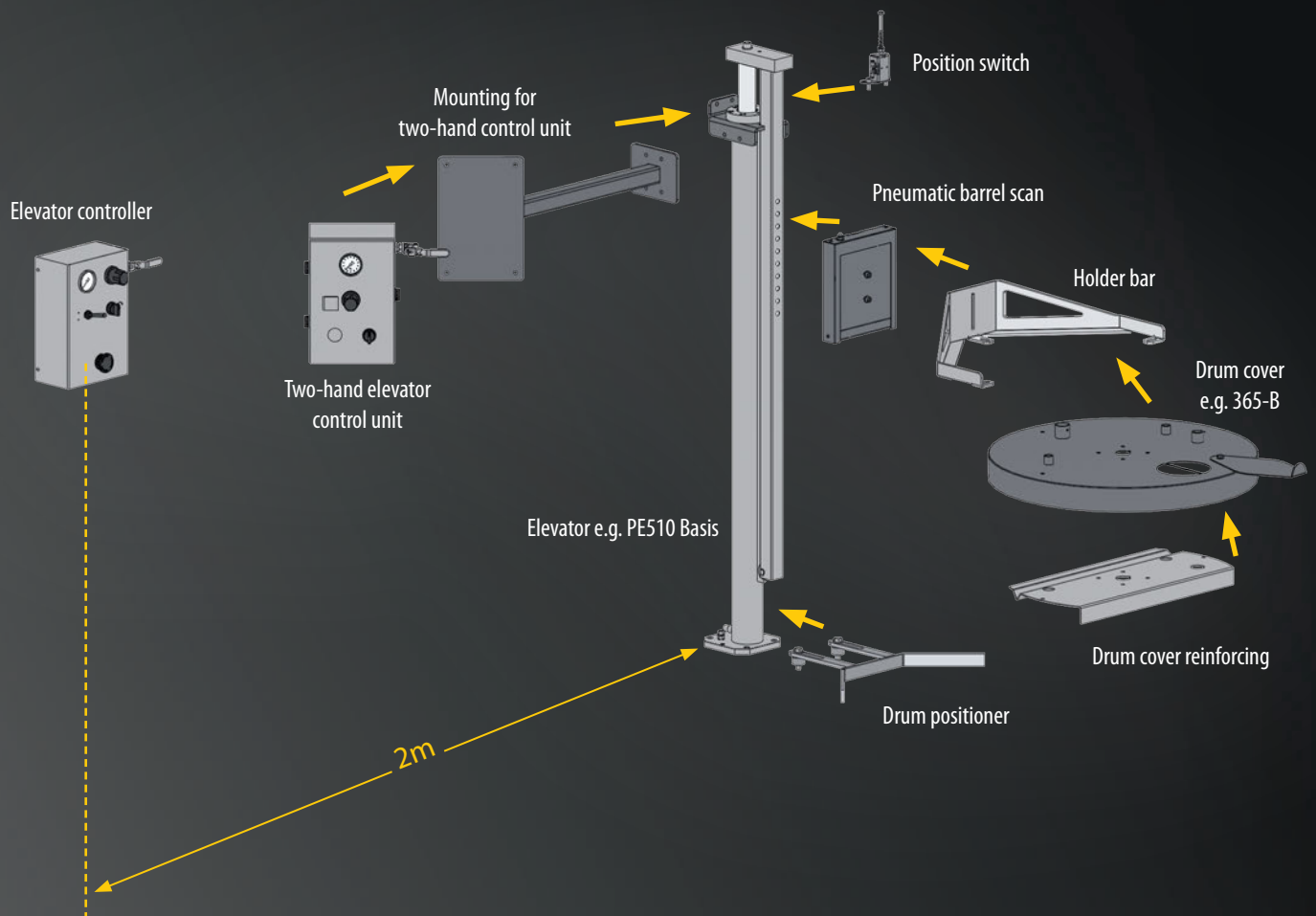


Elevator systems and drum covers

The complete lifting unit is put together from the basic elevator according to the required lift height. The desired drum cover (to match the drum cover retaining arm) is selected and, depending on version, is equipped with agitator hole, adapter for the suction system, and other connections, such as a return. The drum stop (please order separately) ensures precise positioning when changing the container.

Depending on equipment used, select from a controller with electrical or pneumatic agitator or without agitator.

The agitator control cuts off automatically when the cover is lifted. To protect the user, the agitator does not start up automatically when the cover is lowered; instead it has to be switched on manually.



Drum cover elevator

Basic unit

Product supply

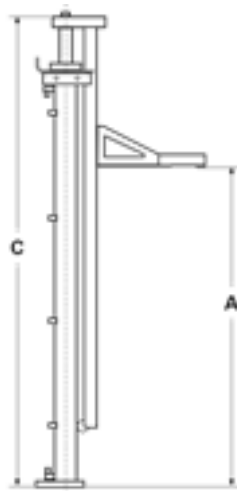
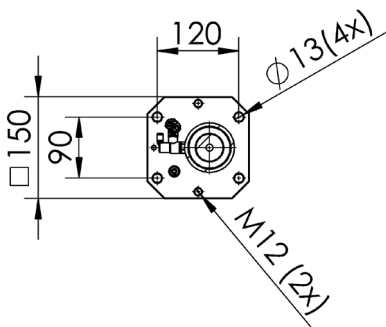
Drum cover elevator



WAGNER drum cover elevators are basically equipped with air-cylinder, traverse, vertical holder bar and throttle valves for $\varnothing 8$ mm hose. Due to the requested container size holder bar and drum cover have to be selected separately. Different pre-assembled control panels can easily be mounted either directly or beside the elevator. The elevator base plate can be directly bolted to the ground floor or on the system 1 or system 3 racks.

Description	A min	A max	C	Max. stroke	Max. weight	Art. No.
	mm	mm	mm	mm	kg	
PE 500 Basic RAL 9006	496	706	967	610	50	PE050000001
PE 700 Basic RAL9006	565	775	1144	730	75	PE070000001
PE 1000 Basic RAL9006	776	986	1444	1041	75	PE100000001
PE 510 Basic RAL9006	496	706	967	610	50	PE051000001
PE 710 Basic RAL9006	565	775	1144	730	75	PE071000001
PE 1010 Basic RAL9006	776	986	967	1041	75	PE101000001

Dimensions of elevator and base plate



Control panel

For drum cover elevators



Depending on the version consisting of:

- mounting plate
- up/down control 3/5 way valve for elevator, spring-rejected.
- on/off control switch for pneumatic or electric agitator.
- end-stroke sensor to enable the agitator operating only if elevator is in down position.

Completely pre-assembled. Easy to install directly at the elevator.

In order to meet ATEX compliancy together with electric agitator an additional NAMUR relays station with galvanic isolation is requested.

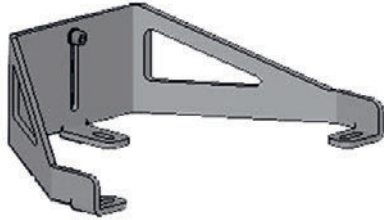
Product supply

Drum cover elevator

Description	Controller	Art. No.
PE Single elevator control	Lift/lower	AE400008001
PE Pneum-agitator control	Lift/lower, with pneumatic agitator control	AE400008021
PE Air regulator	Zulufregelung	AE400008041
PE Electric-agitator control	Lift/lower, with electric agitator control	AE400008061

Holder bar

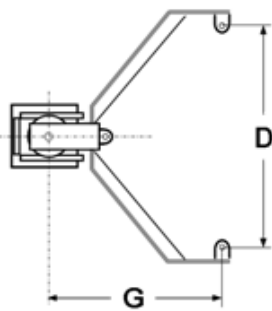
For drum covers



Drum cover holder for various drum covers. Selection depends on the size of drum cover needed.

Cover holder 630 for drum cover with \varnothing 630 mm for 200 l drums
 Cover holder 365 for drum cover with \varnothing 365 mm for 30 L hobbocks
 Cover holder 460 for drum cover with \varnothing 460 mm for 60 l containers.

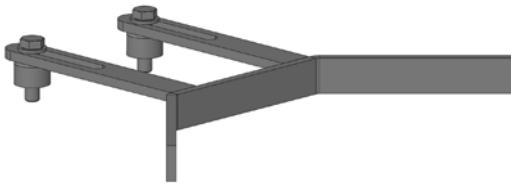
Description	Material	D min	D max	G	Art. No.
		mm	mm	mm	
PE Holder-bar 630	Galvanised steel	530	569	420	PE100099300
PE Holder-bar 460	Galvanised steel	359	389	330	PE070099300
PE Holder-bar 365	Galvanised steel	299	329	300	PE050099300



Drum positioner

For drum cover elevators

for precise positioning of the drum underneath the elevator after drum-change.



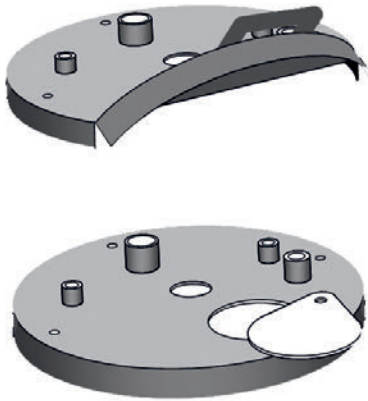
Description	Material	Art. No.
PE Positioner 30/60L-drum	Galvanised steel	PE050099200
PE Positioner 200L-drum	Galvanised steel	PE100099200

Drum cover

Stainless steel

Product supply

Drum cover elevator

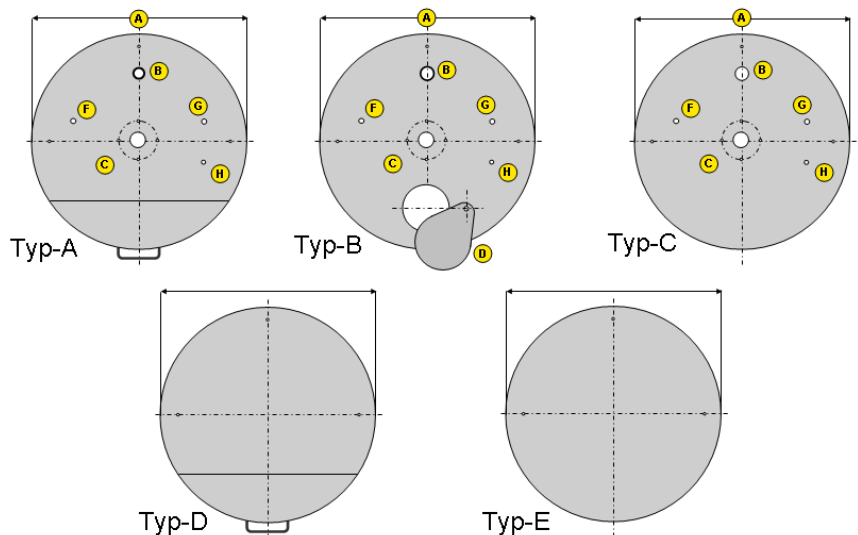


Drum covers are available in two different diameters suitable for 30 L hobbocks (Ø 365 mm) and 200 L drums (Ø 630 mm). They are equipped with different bushings for suction pipe, agitator, recirculation, and other equipment. All connections fit perfectly to the WAGNER accessories range such as suction pipes, recirculation hoses or the wide range of agitators. All connectors can be easily plugged if not needed. Versions with hinged flap or inspection hole allow easy visible process inspection or refilling. For special customer layouts the drum covers are also available unmachined. Ask your local WAGNER sales organisation for any special demand.

Description	Type	Ø A	Ø B	Ø C	Ø D	Connection F	Connection G	Connection H	Folding cover	Art. No.
		mm	mm	mm	mm					
Drum cover 365-A with plug	A	365	28.5	34.5		G 3/8" F	G 1/2" F	G 3/8" F	Yes	2304618
Drum cover 365-B with plug	B	365	28.5	34.5	100	G 3/8" F	G 1/2" F	G 3/8" F	No	2304620
Drum cover 365-C with plug	C	365	28.5	34.5		G 3/8" F	G 1/2" F	G 3/8" F	No	2304622
Drum cover 365-D	D	365							Yes	2304464
Drum cover 365-E	E	365							No	2304439
Drum cover 630-A with plug	A	630	28.5	34.5	120	G 3/8" F	G 1/2" F	G 3/8" F	Yes	2304623
Drum cover 630-B with plug	B	630	28.5	34.5	120	G 3/8" F	G 1/2" F	G 3/8" F	No	2304624
Drum cover 630-C with plug	C	630	28.5	34.5		G 3/8" F	G 1/2" F	G 3/8" F	No	2304625
Drum cover 630-D	D	630							Yes	2304471
Drum cover 630-E	E	630							No	2304448

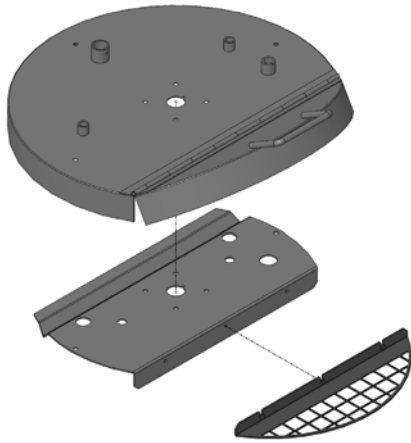
For drum cover for 30 l tank (Ø 365 mm):
 - Permitted agitator blade Ø: 156 mm

For drum cover for 200 l drums (Ø 630 mm):
 - Permitted agitator blade Ø: 320 mm



Accessories

For drum covers



Drum cover reinforcement made of 3mm stainless steel is recommended for 200 l tanks if extra add-ons, such as agitators, are fitted on the cover. The cover reinforcement is needed especially if using heavy electric agitators. The reinforcement is screwed down with cover and retaining arm.

Product supply

Drum cover elevator

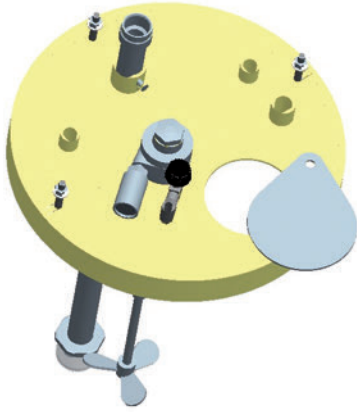
Description	Material	Min. material thickness	Art. No.
		mm	
Plug agitator	PHT		2304953
Drum cover reinforcement 200 l	Stainless steel	3	2392776
Intervention protection RW drum cover 200 l cpl.	Stainless steel	3	2392853
Drum cover reinforcement 30 l	Stainless steel	3	2392563
Intervention protection RW drum cover 30 l cpl.	Stainless steel	3	2392862
Stand for two-hand control unit	Steel		2382309
Lift control bracket	Steel		2388815

Plug for agitator borehole in lid if no agitator is in use. The polyester-elastomer plug is resistant to most solvents.



Drum cover assemblies

Completely equipped



Drum cover 365-B Art. no. 2305522 fully equipped with suction tube and pneumatic 300 W agitator for tank of up to 30 l comprising:

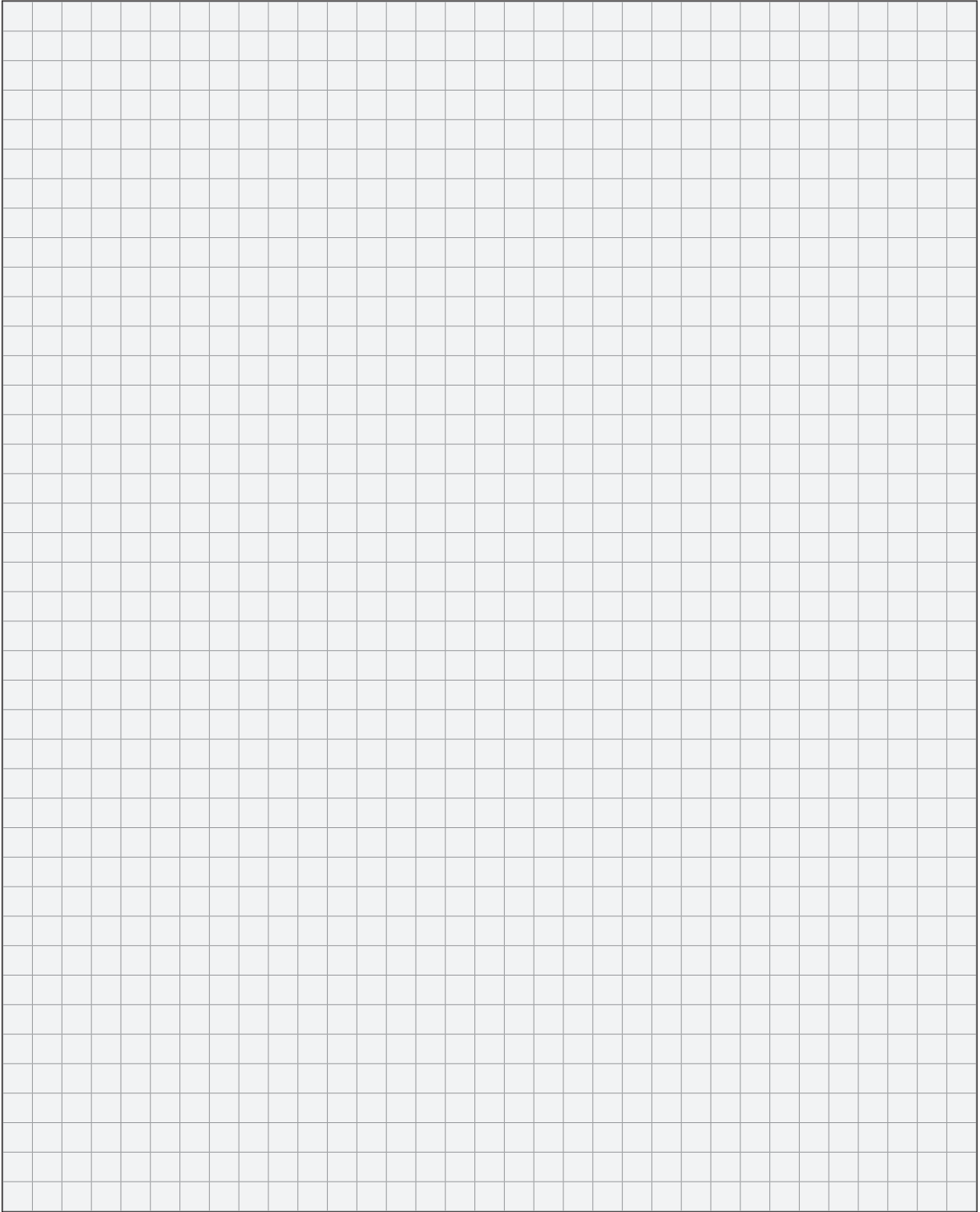
1. Drum cover with inspection opening (Art. no. 230 4618)
2. Pneum. agitator 300 W incl. propeller Ø 95 mm (Art. no. 2304533)
3. Straight drum suction tube (Art. no. 2304550)
4. Suction filter M28x1.5 MW0.8 (Art. no. 250245)

Attention: Not approved for use in explosive areas.

Product supply

Drum cover elevator

Description	Product description	Art. No.
Drum cover with agitator	Drum cover with agitator for tanks up to 30 l	2305522



Agitators

WAGNER agitators are available with pneumatic or electric asynchronous motors. Almost all are completely ATEX compliant. The wide range of power and speed ratings, axle-length and different propellers offer agitating solutions for nearly all fluids and viscosities. The standardized interface makes it easy to mount the agitator on WAGNER drum covers, tanks and pressure pots. Standard axle-diameter makes it easy to interchange propellers and - if necessary to cut the axle to the needed length.

Caution: Not all combinations are ATEX compliant. Minimum distance between propeller and container wall or other installation pipes or parts must not be below 25 mm.

1. Powerful

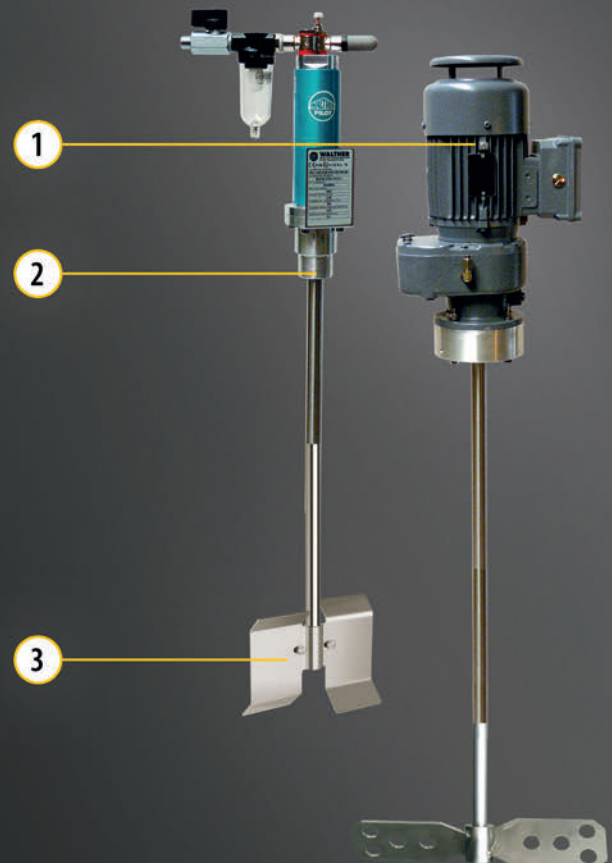
Powerful air or electric motors.

2. Uniform attachment dimensions

Uniform attachment dimensions for assembly on container / drum cover.

3. Large selection

Huge selection of different agitator blades for different stirring processes and media.



Agitating propellers

Vertical propeller for universal use with axial agitating behaviour. Completely in stainless steel. For low speed agitators 500 rpm max.



Ring propeller

Ringpropeller for universal use with axial agitating behaviour. Completely in stainless steel. For high speed agitators 1.500 rpm max.



Sloped blade propellers

Axial steering propellers with holes for speed 300 rpm max.



Foldable propellers

Foldable propeller for small container openings. Min. speed 150 rpm to fold up the propeller - max. speed 300 rpm.













Calix stirrer

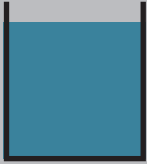

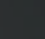




Cup blades for efficiently stirring up settling products.



Selection chart for agitators

Select the suitable agitator due to the size of the container, the material characteristic and the kind of use. All Agitators fit into a 34,5 mm hole by means of a counter-nut or – four orbital located screws for the bigger and more powerful units

 30 l Connection: Ø 34,5 mm hole with counter-nut		 	 	 	 	
	Motor:	Pneumatic	Pneumatic	Pneumatic	Pneumatic	Electric
	Idle speed:	1.500 1/min	1.500 1/min	200 1/min	300 1/min	98 1/min
	Power:	360 W	700 W	360 W	500 W	370 W
	Propeller:	95/150 mm	140 mm	186 mm	156 mm	186 mm

 200 l Connection: Ø 34,5 mm hole with counter-nut or orbital screws	 	 	 	 	 	
	Motor:	Pneumatic	Pneumatic	Pneumatic	Pneumatic	Electric
	Idle speed:	1.500 1/min	1.500 1/min	200 1/min	300 1/min	98 1/min
	Power:	700 W	1200 W	360 W	500 W	750 W
	Propeller:	140 mm	180 mm	186 mm	300 mm	340 mm

High-speed pneumatic agitators

Connection hole 34,5mm

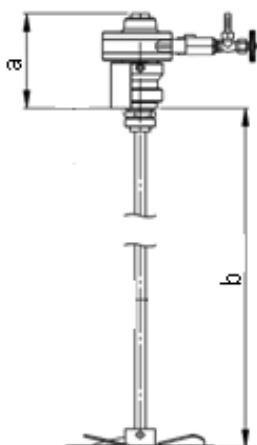


Direct driven pneumatic agitator for use with 30 L up to 200 L drums. Suitable for low viscose fluids. The air motor is directly fixed to the 34,5 mm centre-hole in the drum- or tank-cover by means of the M34 counter-nut. Agitators are completely equipped with air valve, muffler and 3 blade propeller. Version 2304458 comes with additional manometer. For mounting to the 200L drum cover the drum cover reinforcement plate 2304688 is recommended.

Product supply

Agitators

Description	Rated rotational speed	Max. operating pressure	Agitator power	Length A	B	Shaft Ø	Ø of agitator blade	ATEX classification	Art. No.
	rpm	bar	kW	mm	mm	mm	mm		
RW-P300HS-L400x16-D100-M32	1500	6	0.3	80	400	9.5	95	No	2304533
RW-P300HS-L400x16-D100-M32-M	1500	6	0.3	80	400	9.5	95	No	2304458
RW-P700HS-L400x16-D140-M34-Atex	1500	6	0.7	155	400	16	140	Yes	V4632200409
RW-P700HS-L800x16-D140-M34-Atex	1500	6	0.7	155	800	16	140	Yes	V4632200420
RW-P1200HS-L800x16-D140-M34	1500	6	1.2	155	800	16	180	No	V4632300420



Low-speed pneumatic agitators

Connection hole 34,5mm or adaptor flange

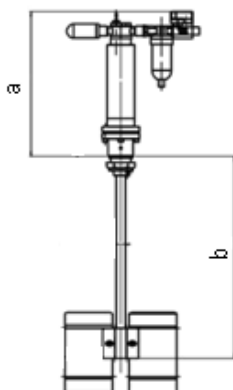


Planet-gear driven low-speed pneumatic agitator for use with 30 L hobbocs up to 200 L drums.

The air motor is directly fixed to the 34,5 mm centre-hole in the drum or tank cover by means of the M34 counter-nut. The units with 20 mm shaft have to be mounted by help of the adaptor flange 2304353 and the drum cover reinforcement 2304688. All agitators are completely equipped with air valve, muffler and propeller blade. Versions V4422040323 and V4684500223 are additionally equipped with an air-oiler for increased service-life.

Description	Rated rotational speed	Max. operating pressure	Agitator power	Length A	B	Shaft Ø	Ø of agitator blade	ATEX classification	Socket dimensions	Holder type	Art. No.
	rpm	bar	kW	mm	mm	mm	mm		mm		
DRW 30L. Hockbock 0,36KW 46-810 VA	200	6	0.36	245	386	16	186	Yes	34.5	Locknut	V4422040303
DRW MDG-60 0,36KW ex VA	200	6	0.36	245	562	16	186	Yes	34.5	Locknut	V4422040603
DRW-P360LS-L400x16-D186-M34-Atex-L	200	6	0.36	245	386	16	186	Yes	34.5	Locknut	V4422040323
DRW-P360LS-L800x20-D340-F70-Atex	200	6	0.36	375	800	20	340	Yes	70	Flange	V4684500203
DRW-P360LS-L800x20-D340-F70-Atex-L	200	6	0.36	375	800	20	340	Yes	70	Flange	V4684500223

For mounting the agitators for 200 L drums with a 340 mm agitator blade, intermediate flange 2304353 is required!



2304353

Compressed air agitators

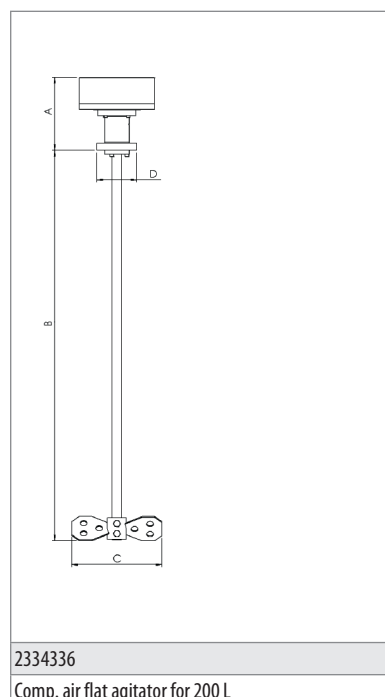
Blade- or cup-type agitator



Compressed air agitator with stirring cups or blades for 30 l or 200 l tank with agitator holder 44-220 shaft with a speed of 300 rpm, 0.5 KWH drive power; ATEX version



Description	Rated rotational speed	B	Ø of agitator blade	Shaft Ø	ATEX classification	Art. No.
	rpm	mm	mm	mm		
Comp. air flat agitator for 200 L	300	789	300	20	Yes	2334336
Comp. air flat agitator for 30 L	300	367	156	20	Yes	2334464
Airmotor-cup-agitator for 200 L	300	789	210	20	Yes	2348383
Airmotor-cup-agitator for 30 L	300	367	158	16	Yes	2348382
DRW 30-Ltr.Hobbock PMO450 46-835	300	367	190	20	Yes	V4683500203



A throttle check valve is needed for the agitator V4683500203 in the Ex area so that the maximum speed of 300 rpm is not exceeded

- Shaft diameter 4mm: 2332151
- Shaft diameter 6mm: 2322178

Alternatively, a PU 4mm supply line with air regulation valve can be used.

Low-speed electric agitators

Connection hole 34,5mm



Product supply

Agitators



Gear driven electric agitator for use with 30 L drums and small containers. The agitator is directly fixed to the 34,5 mm centre-hole in the drum or tank cover by means of the M34 flange nut.

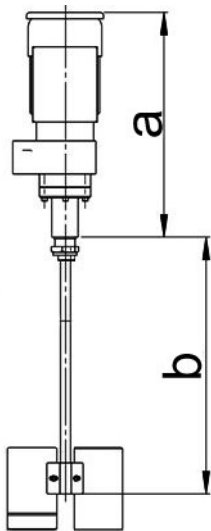
Stainless steel axe, dia. 16mm.

Full ATEX compliant.

The agitators are completely equipped with 186 mm 2-blade propeller (V4211501453).

Lower speed rating can be realized by means of a frequency transformer. If needed please contact your local sales organisation.

Description	Rated rotational speed	Agitator power	Length A	B	Shaft Ø	Ø of agitator blade	ATEX classification	Socket dimensions	Holder type	Art. No.
	rpm	kW	mm	mm	mm	mm		mm		
ERW MDG-45 0,12kW 60 1/min ex VA	60	0.12	384	337	16	186	Yes	34.5	Locknut	V4422050453
ERW MDG-60 0,12kW 60 1/min ex VA	60	0.12	384	562	16	186	Yes	34.5	Locknut	V4422050603



Low-speed electric agitators

Connection orbital 114,5mm



Gear driven electric agitator for use with 200 L drums and bigger containers.

The agitator is directly fixed to the drum cover via M8 bolts & nuts. For drum cover mounting the reinforcement plate 2304688 is requested.

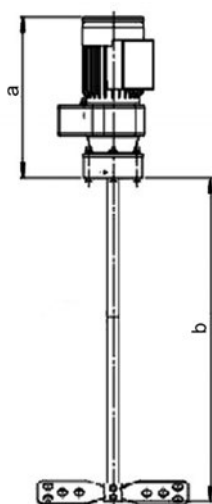
The agitators are completely equipped with 340 mm sloped-blade propeller.

Lower speed rating can be realized by means of a frequency transformer. If needed please contact your local sales organisation.

Product supply
Agitators

Description	Rated rotational speed	Agitator power	Length A	B	Shaft Ø	Ø of agitator blade	ATEX classification	Socket dimensions	Holder type	Art. No.
	rpm	kW	mm	mm	mm	mm		mm		
ERW 0,37kW 99 1/min. stirrer 440mm ex VA	98	0.37	415	800	25	440		114.5	Flange	V6100003703
ERW 0,55kW 99 1/min. stirrer 440mm ex VA	98	0.55	510	800	25	440	Yes	114.5	Flange	V6100005503
ERW 0,75kW 99 1/min. stirrer 440mm ex VA	98	0.75	510	800	25	440	Yes	114.5	Flange	V6100007503
ERW 0,37kW 99 1/min. stirrer 340mm ex VA	98	0.37		800	25	340	Yes	114.5	Flange	V6100013703
ERW 0,55kW 99 1/min. stirrer 340mm ex VA	98	0.55		800	25	340	Yes	114.5	Flange	V6100015503
ERW 0,75kW 99 1/min. stirrer 340mm ex VA	98	0.75		800	25	340	Yes	114.5	Flange	V6100017503

Attention: If using a drum cover with suction tube, only agitator blades with a diameter of 340 mm can be used.



Stirrers

Shaft dia. 9,5 mm



Stainless steel propeller agitators with shaft dia. 9.5 mm



Product supply

Agitators

Description	Mounting type	Ø of agitator blade mm	Max. speed rpm	Material	Art. No.
Propeller D100x9,5-SSt	sloped blade propeller	95	1500	Stainless steel	E3050.03AB

Stirrers

Shaft dia. 16 mm



Stirrers of various shapes with shaft diameter of 16 mm.
Please select by speed and agitator blade diameter.



Product supply

Agitators

Description	Mounting type	Ø of agitator blade	Max. speed	Material	Art. No.
		mm	rpm		
Propeller D150x16-3-sloped blade-SSt	sloped blade propeller	150	300	Stainless steel	E3050.03CD
Ringpropeller D140x16-SSt	ring-propeller	140	1500	Stainless steel	V4632204003
Ringpropeller D180x16-SSt	ring-propeller	180	1500	Stainless steel	V4632318003
Ringpropeller D220x16-SSt	ring-propeller	220	1500	Stainless steel	V4632322003
Propeller D60x16 - 2 blade-SSt	blade-propeller	60	300	Stainless steel	V4211501013
Propeller D156x16-2blade-SSt	blade-propeller	156	300	Stainless steel	V4211501123
Impeller blade MDG 45-250 1.4301 (Blatt)	blade-propeller	186	300	Stainless steel	V4211501453
Propeller D220x16-sloped-blade-SSt	sloped blade propeller	220	300	Stainless steel	V4425000063
Propeller Calix D210-20	Cup agitator blade	158	300	Stainless steel	2337663



2337663

Propeller Calix D210-20

Stirrers

Shaft dia. 20 mm



Stainless steel stirrers with shaft diameter of 20 mm.
Please select according to agitator blade diameter and rotational speed.

Product supply

Agitators

Description	Mounting type	Ø of agitator blade	Max. speed	Material	Art. No.
		mm	rpm		
Propeller D190x20-sloped-blade-SSt	sloped blade propeller	190	300	Stainless steel	V4425000143
Propeller-D340x20-sloped-blade-SSt	sloped blade propeller	340	200	Stainless steel	V4425000103
Propeller-D335x20-4blade-foldable-SSt	foldable propeller	335	200	Stainless steel	V6100002413
Cup agitator blade D.210-20mm 1.4301	Cup agitator blade	210	200	Stainless steel	2338079



V6100002413
Propeller-D335x20-4blade-foldable-SSt

Stirrers

Shaft dia. 25 mm



Stainless steel agitator blade with shaft diameter of 25 mm.
Please select according to rotational speed.

Product supply

Agitators

Description	Mounting type	Ø of agitator blade	Max. speed	Material	Art. No.
		mm	rpm		
Propeller D340x25-sloped-blade-SSt	sloped blade propeller	340	100	Stainless steel	V6134002503
Propeller-D335x25-blade foldable-SSt	foldable propeller	335	200	Stainless steel	V6100002403

Handheld pneumatic agitators

Non-ATEX

Product supply

Agitators



Handheld agitators non ATEX with stainless steel axe and propeller, valve and muffler. Equipped with extra clamp for temporary drum mounting.

Description	Agitator power	Ø of agitator blade	Rated rotational speed	B	Art. No.
	kW	mm	rpm	mm	
RW-HH P300W-550	0.3	90	1500	420	RH217.575A

Handheld pneumatic agitators

ATEX compliant



Handheld agitators, ATEX with stainless steel axe and propeller, valve and muffler. On stand.

Product supply

Agitators

Description	Agitator power	Ø of agitator blade	Rated rotational speed	B	Art. No.
	kW	mm	rpm	mm	
RW-HH P700W-600 ATEX-S	0.7	140	800	600	V4632200200
Small hopper agitator with stand 330mm	0.07	100	800	414	V4607110044

System racks

WAGNER pump racks are the base for comprehensive material supply units. The systems are extendable at will. No matter if only a small pump unit with hobcock and suction or a complete industrial paint kitchen with pumps, air supply, containers, elevators, level control,... WAGNER system racks always offer the ideal solution. For special requests or sizes please contact your local sales organization directly.

1. Robust

Extremely robust and durable due to welded construction using zinc-plated steel.

2. Easy to fit

Simple and secure assembly through use of robust installation panel.

3. With cable ducts for electric cables

Neat and tidy through use of cable ducts for electric cables.

4. Stable

Stable grating for a secure product tank stance. With integrated holder for drum cover elevator.



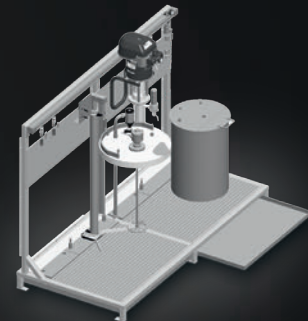
System 1: WHG compliant

WHG-compliant rack for installation of smaller pumps or as standalone storage hub for containers up to 250 L. Fully zinc-plated steel design.



System 3: Heavy duty

Designed for all kind of pumps and containers up to 250 L. Completely equipped with grids and ground protection assy. Fully welded 50 mm square shaped steel beams make the racks extremely robust. Different accessories such as air supply, trays and level indication units are available as option. The system is prepared to house any WAGNER pump, container, lift, and all other necessary equipment such as controls, valves, filters or regulators to setup a complete material supply unit due to individual needs. The racks can easily be combined with each other for bigger systems. For safe stand the racks can be directly anchored on the floor.

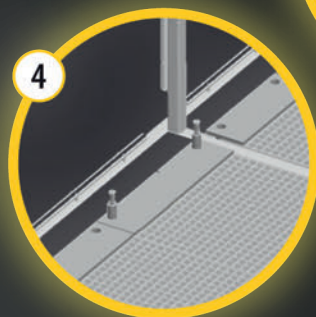
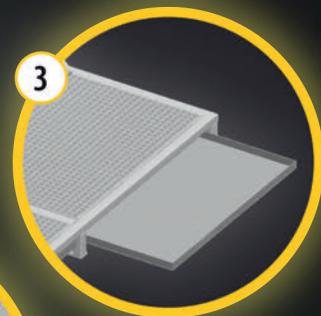
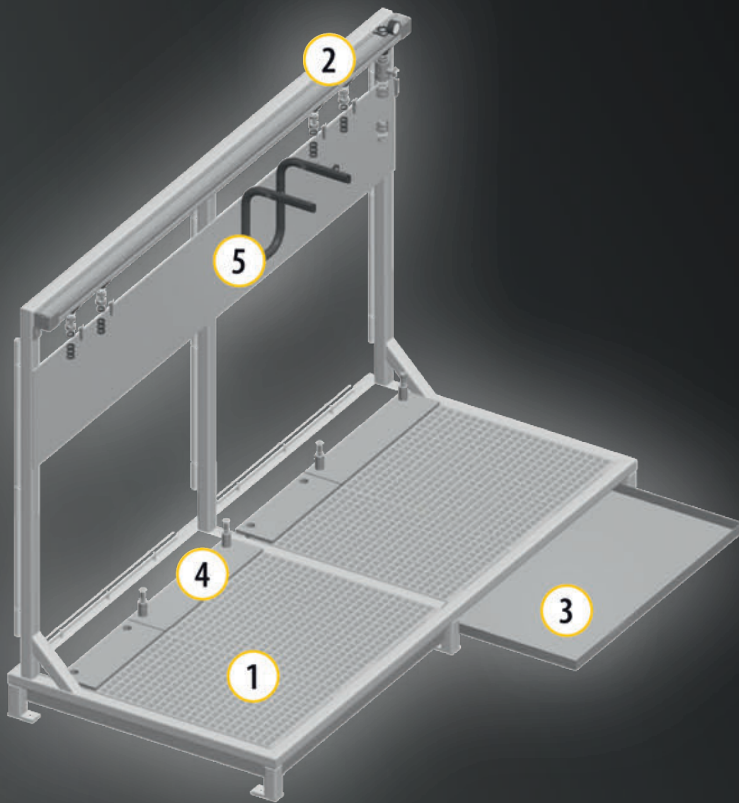


Level scales

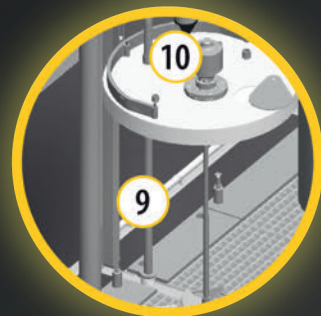
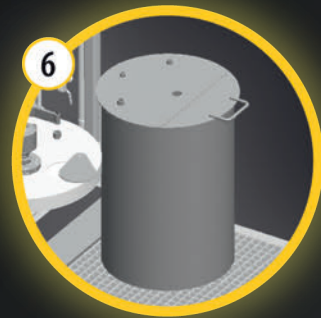
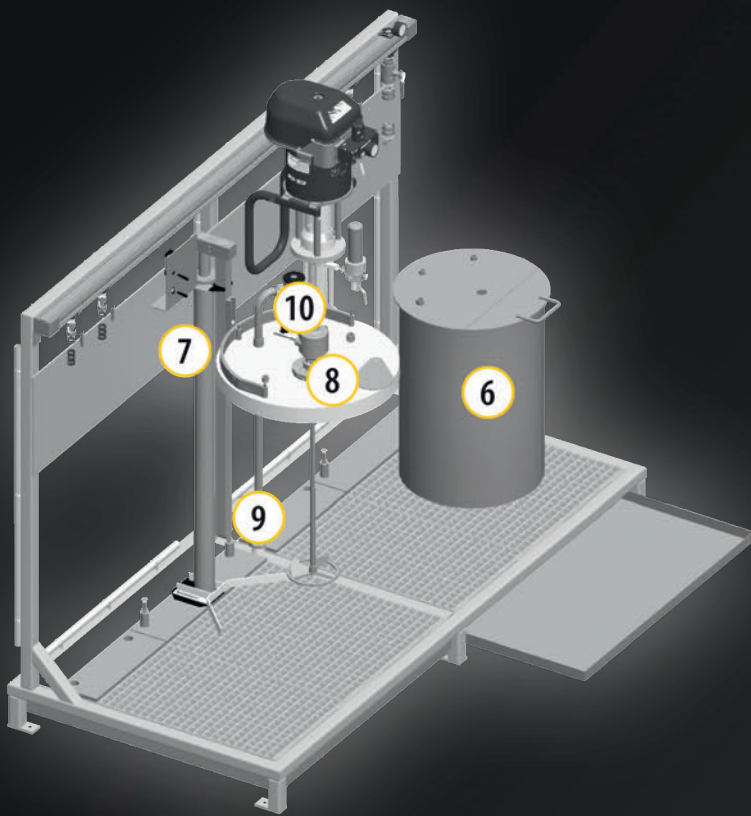
Single rack for drums or containers with integrated weighing system and pneumatic warning signal for level control.



The complete rack assembly consists of the basic rack (1) and - due to customers demand - air supply system (2), drop trays (3), level-scales (4) and wall bracket (5). The air supply system can be equipped with different air inlets and outlets with or w/o shut-off valves for supply of pumps, elevators or agitators. Several racks can easily be combined with each other.

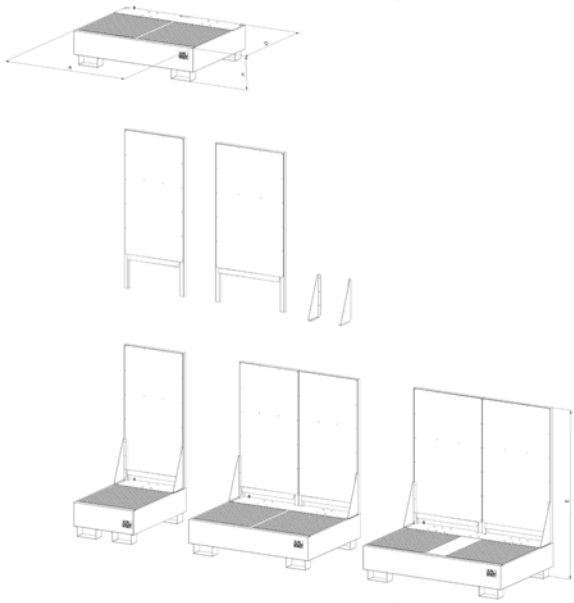


100 l container (6) for e.g. component B made from stainless steel with openable lid. For a 200 l drum a drum cover elevator (7) is requested which consists of the elevator itself, the control panel and drum positioner. Differently designed drumcovers (8) are already equipped with the bushings for suction system (9) and agitator (10). All components fit together perfectly and are interchangeable at will.



Federal water act-compliant frame

System 1 rack



The painted frame serves as a storage station for containers or, with attached installation rear wall, for the assembly of smaller pumps or lifters.

Tray 1300mm width:

Only suitable for one drum lid lifter PE1000 or up to two drum lid lifter PE500/PE700!

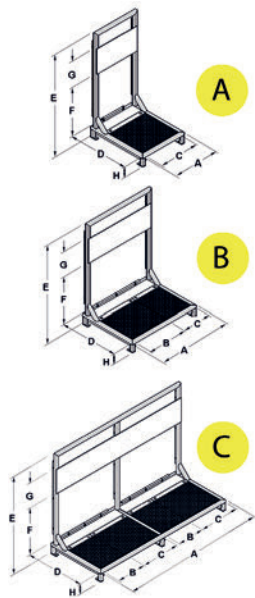
Tray 1500mm width:

Also suitable for two drum lid lifter PE1000/PE700 or up to three drum lid lifter PE500.

Description	A	D	E	H	Art.-No.
	mm	mm	mm	mm	
Tray 653x993x335mm steel	653	993	1654	335	AE401000001
Tray 653x993x335mm stainless steel	653	993	1654	335	AE401000002
Tray 1300x993x335mm steel	1300	993	1654	242	AE401000003
Tray 1300x993x335mm stainless steel	1300	993	1654	242	AE401000004
Frame structure halfway 644mm painted					AE401000010
Frame structure halfway 644mm stainless steel					AE401000011
Tray 1500x993x335mm steel	1500	993	1654	279	AE401000005
Tray 1500x993x335mm stainless steel	1500	993	1654	279	AE401000006
Frame structure halfway 742mm painted					AE400009111
Frame structure halfway 742mm stainless steel					AE400009113
Junction plate tray right - zinc plated					2335082
Junction plate tray left - zinc plated					2335091
Junction plate VA tray right - stainless steel					2342421
Junction plate VA tray left - stainless steel					2342423

Heavy duty pump rack

System 3 rack

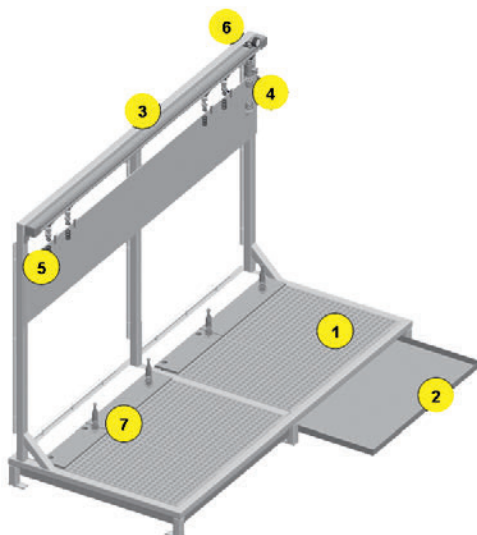


Designed for all kind of pumps and containers up to 250 L. Completely equipped with grids and ground protection assy. Fully welded 50 mm square shaped steel beams make the racks extremely robust. Different accessories such as air supply, trays and level indication units are available as option. The system is prepared to house any WAGNER pump, container, lift, and all other necessary equipment such as controls, valves, filters or regulators to setup a complete material supply unit due to individual needs. The racks can easily be combined with each other for even bigger systems. For safe stand they can be directly anchored on the floor.

Description	Length A	B	C	D	E	F	Type	Art. No.
	mm	mm	mm	mm	mm	mm		
Rack S3-30/60L-A560mm	560		450	1100	1800	1135	A	2304159
Rack S3-200L-A760mm	760		650	1100	1800	1135	A	2304160
Rack S3-30/60L-A1015mm	1015	450	450	1100	1800	1135	B	2304136
Rack S3-30/60L-A1980mm	1980	450	450	1100	1800	1135	C	2304132
Rack S3-200L-A2380mm	2380	650	450	1100	1800	1135	C	2304134
Rack S3-200L-A1215mm	1215	650	650	1100	1800	1135	B	2304135

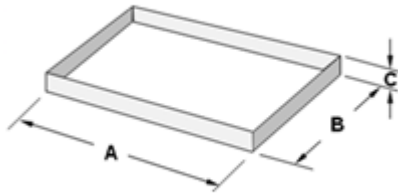
Fully equipped WAGNER heavy duty double pump rack:

Consists of the rack (1) including grids (2) which are already equipped with the holders für drum cover elevators as well as for level indication spring kits. Stainless steel trays under the grids. The complete air supply system (3) with valve controlled inlets and outlets and the 2 sets of level indication spring kits (7) complete the setup of this rack.



Drip tray

System 3 rack



Fully welded stainless steel trays. Easy to remove and clean. Positioned underneath the rack.

Description	Length A	B	C	Total capacity [liter]	Art. No.
	mm	mm	mm	l	
Rack S3 Drop tray 560	440	1055	40	18	2303996
Rack S3 Drop tray 760	640	1055	40	27	2303993
Rack S3 Drop tray-1015/1980	895	1055	40	37	2303995
Rack S3 Drop tray-1215/2380	1095	1055	40	46	2303994

Air supply

System 3 rack



The air supply system is based on a Ø 50 mm aluminium profil-tube which can be equipped with all connections needed for the paint supply unit. First select the right length fitting to your rack. Then make your choice of the connections needed to supply pumps, elevators, agitators or pressure switches. A manometer set makes it easy to have an eye on the right air pressure in the system.

Additional connections or manometers can be easily added. See also chapter „air supply“ under SupraCoat accessories.

Description	Length	Art. No.
	mm	
Air supply kit basic		2304098
Air supply pipe D50-1015	1015	2304168
Air supply pipe D50-1215	1215	2304170
Air supply pipe D50-1980	1980	2304178
Air supply pipe D50-2380	2380	2304181
Air supply pipe D50 cpl.	2500	3209601

The basic air supply system consists of a 3/4" air hose connection with shut-off valve plus three G1/2" outlet connections.

The kit 3209601 consists of a 2,5 m D50 aluminium air pipe complete with covers & clamps, manometer, 1" air supply with ball valve, 2 air outlets for 8/6 mm hose with ball valve.

Connections can be freely positioned by drilling the holes wherever requested. For special demands contact your local sales organisation.



3209601

2304098

Air supply connections

System 3 rack



Connections for the air supply of system rack 3. The pipe has to be drilled, the air supply equipment can easily be slipped on the pipe. Fixing & sealing by screws and O-rings.

Description	Valve	Ø	Art. No.
		mm	
Air inlet D50 1"-valve	mit Ventil	50	3208033
Air inlet D50 3/4"-w/o valve	ohne Ventil	50	2303976
Air inlet D50 1/2" w/o valve	ohne Ventil	50	2303977
Air inlet D50 1/2"-valve	mit Ventil	50	3208085
Air inlet D50 10/8mm-valve	mit Ventil	50	3208036
Air inlet set D50-8/6	mit Ventil	50	3208037

Manometer

System 3 rack

Manometer for air supply system „comfort“.



Description	Ø	Art. No.
	mm	
Manometer D50 kit	50	3208035

Level-scale spring kit

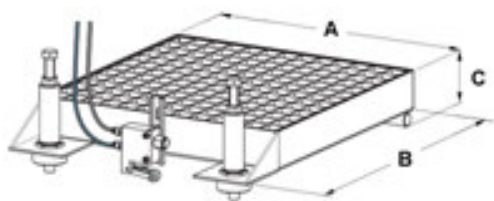
System 3 rack



For minimum level indication. Adjustable for all containers and drums up to 250 L. Easy to be installed in the pump racks grid. For functional description see „Level-scales“

Description		Art. No.
Level-scale spring kit		3208212

Level scales



Purpose of the level-scale is to alarm low level in order to shut down or refill drums or containers before they run completely empty. It works quite simple by use of two adjustable spring-packs. They lift the grillage when the weight of the drum reaches an adjustable minimum value and the pneumatic switch is activated. Total movement of the unit is just a few millimeters.

Available in 3 sizes for 30, 60 and 200 L drums and containers. Also suitable for pressure pots e.g. MDG's and LDGs.

Description	Length A	B	C	Art. No.
	mm	mm	mm	
Level scale 400x400 cpl	400	490	80	3207739
Level-scale 600x600 cpl.	600	690	80	3208783
Level-scale 800x800 cpl.	800	890	80	3207740

Indicators for level scales

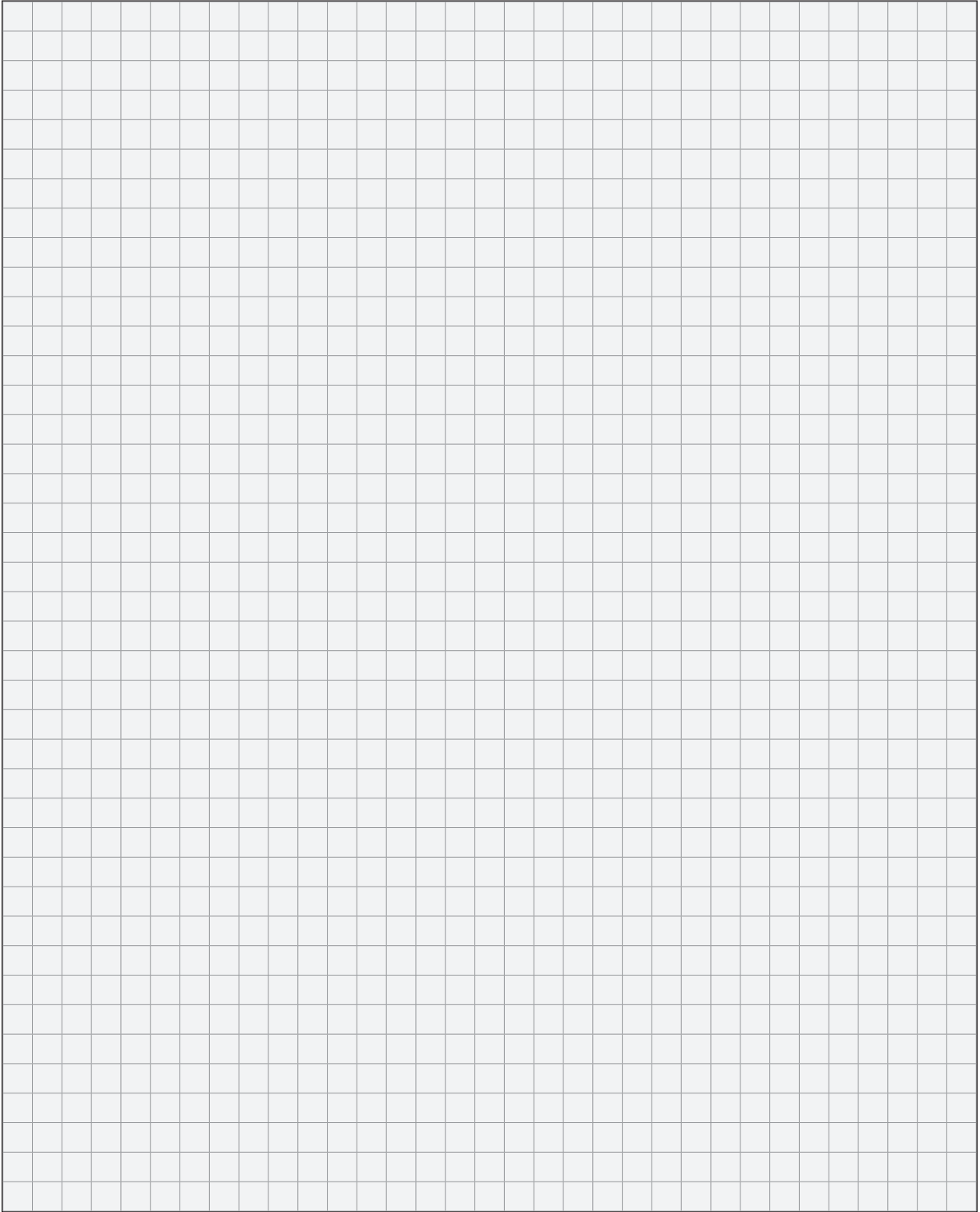
Acoustic and visual



Signal horn for acoustic alarm when minimum level in the container is undercut. Noise level can be adjusted by help of the check-valve.

Optical indicators offer a visible signal occurring above 1,5 bar air pressure to monitor e.g. low level or proper system condition. Visible angle 180°. Front mounted, installation hole \varnothing 22,5 mm.

Description	Length	\varnothing	Hose \varnothing	Air inlet connection	Color	Art. No.
	mm	mm	mm			
Optical indicator blue				R 1/8"	Blue	9943034
Optical indicator yellow				R 1/8"	Yellow	9943033
Optical indicator green				R 1/8"	Green	9943032
Optical indicator red				R 1/8"	Red	9943031
External signalhorn kit	160	71	4			2312343
Alarmhorn-ex cabine						392030



WAGNER

Showing the product the way.



Superlative coating results require high-quality components for measuring, filtering, and regulating the product flow from the pump to a wide range of spray guns. WAGNER provides a large number of components to configure an ideal coating system.



Material processing



Material filter return systems 84



Product pressure pressure gage 100



Product pressure regulator 104



Product heater 122



Product valves 128

Material filters & recirculation

Material filters for all kind of necessities, pressure ratings and flow volumes. They can be directly mounted at the pumps or as inline filters into the existing piping or in between hoses. Filter elements are available in stainless steel exclusively with mesh sizes of 30 mesh/cm um to 200 mesh/cm depending on the material which has to be processed.

1. Easy to clean

Large product filter, easy to flush and clean, for optimum service.

2. Up to 530 bar

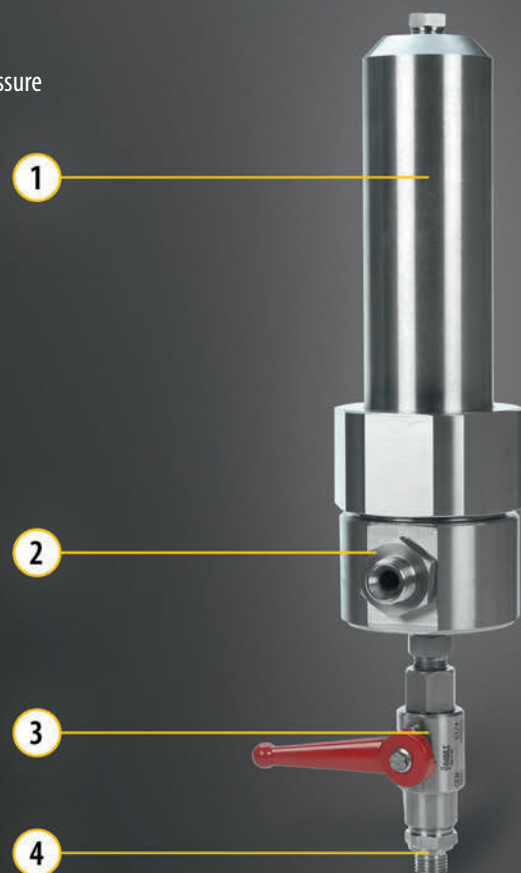
For product pressure up to 530 bar.

3. Easy to remove

Stable ball cock in easily accessible position.

4. For complete solutions

Standardized connection geometry for product return systems: from simple pressure relief to complex material circulation.



Material filters for assembly on high-pressure pumps

Filter relief combination with simple inline filter, and high-pressure filters with large, easy-to-flush filter insert are fully equipped with ball cock for pressure relief. This allows pumps to be filled and flushed with ease and sparing use of product.



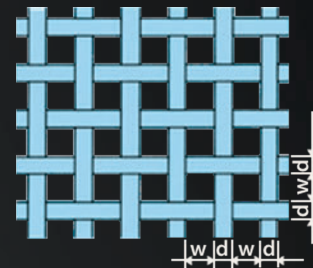
Inline material filter

Product filter for assembly in paint line up to 270 bar. Equipped with practical inline filter for simple flushing and replacement of filter cartridges. Various mesh widths and tool-free filter changes made the filter suited to universal use.



Mesh width and mesh

Product filters made from a wire braid. Die The international definition of filter screens is „Mesh“ = number of meshes/ inch:
$$\text{Mesh} = 25.4\text{mm} / (\text{mesh width} + \text{wire thickness})$$



Recommended filter sizes

Depending on the product to be processed, filters of various fineness are used. Under some circumstances, it might make sense to use a coarser filter on the pump than directly on the gun.

Recommended mesh-sizes	Material
Mesh 100 ... 200	Stains, glazes, clear coats, synthetic laquers,...
Mesh 50 ... 100	Base coats, primers, fillers, effect laquers,...
Mesh 30 ... 50	Water based paints, emulsions, latex, acrylics,...
Mesh <30	High solids, heavy corrosion protection

High-pressure material filter

Inline filter

Filter Typ:



High pressure, inline product filter for large flow volumes with inline cage filter that can be changed without tools for fitting on relief combination 2329023 or other important paint supply points.

Material processing

Material filter return systems

Description	Material inlet	Material outlet	Nom. pressure	Art. No.
			bar	
Inline filter DN6-PN270-G1/4"-SSt	G 1/4" - A	G 1/4" - A	270	2324558
Inline filter 90° assy. packed	G 1/4" - A	G 1/4" - I	530	2329026
Inline filter set	G 1/4", 60° Innenkonus		270	2339994
Inlinefilter-SJM-1/4" NPS-Gap filter	1/4" NPS - A	1/4" NPS - I	250	364926

<p>Filter Typ: C</p>	<p>Filter Typ: C</p>
2329026	2339994
Inline filter 90° assy. packed	Inline filter set

Low-pressure material filter

Inline filter



Filter Typ:

A

Low pressure material filters for high delivery rates with extra large filter area. Filter insert have to be ordered separately due to the requested mesh size. It is not part of delivery of the material filters.

Description	Nom. pressure	Type	Material inlet	Material outlet	Length	Art. No.
	bar				mm	
Filterhousing AT401A-SS	20	A	G 3/4"	G 3/4"	330	3205376
Support Apic		A				3201209
DD10 filter with 90° elbow	8	A	G 1/2"	G 3/8"		2368427

Filter release combination

For IceBreaker pumps





Filter relief combination for assembly on high-pressure output of the piston pump. With 200-mesh paint filter insert, type S as an option. Made entirely from stainless steel. The valve is used to relieve pressure and to fill and flush the pump.

Material processing

Material filter return systems

Description	Product description	Nom. pressure bar	Material inlet	Material outlet	Art. No.
Release combination PN270 IceBreaker	Relief valve combination with integrated return tube. Suitable for all IceBreaker pumps up to PN 250. Attention: not suitable for connecting a circulation hose	270	M24x1,5 - I	G 1/4" - A	2329023
Ball valve-R1/4"-G1/4-PN530-SSt	Stainless steel ball valve for Evomotion pumps	350	R 1/4"	G 1/4" - A	2334488
Ball valve-R1/4-G1/4-PN350-CS EM	Steel ball valve for Evomotion pumps	350	R 1/4"	G 1/4" - A	2334472
Fitting DF-MM-R1/4-M12x1-270bar-SSt	Fitting for attaching a return hose	270	R 1/4"	M12x1	2325343

	
2334488	2325343
Ball valve-R1/4"-G1/4-PN530-SSt	Fitting DF-MM-R1/4-M12x1-270bar-SSt

High-pressure material filter

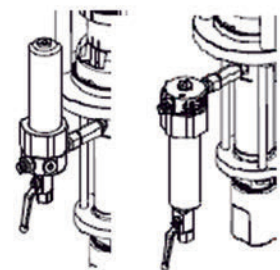
For IceBreaker pumps



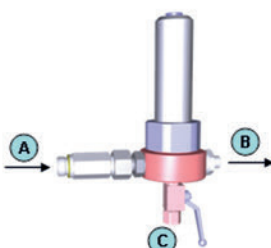


High pressure filters for high flow rates. To be mounted directly at the pump outlet. Equipped with big and easy to clean filter insert Type L. Completely made from stainless steel. The ball valve is used to depressurize the pump in order to prime or flush the pump directly w/o dismantling the HP hose. The ball valve can also be used to install a full circulation system, when e.g. material must be heated or circulated for other reasons.

Description	Nom. pressure	Type	Material inlet	Material outlet	Art. No.
	bar				
HP-filter DN10-PN270-SSt IceBreaker	270	L	M24x1,5 - I	G 1/4" - A	2329024
HP-filter DN12-PN530-SSt IceBreaker	530	L	M24x1,5 - I	G3/8" - A	2329025
„Ball valve FF-1/4“"-PN530-SST packed“	530	L		G 1/4" - A	2330156
Fitting SF-MM-R3/8-M24x1.5-530bar-SSt	530	L			2333265

Return tube and return hose optionally available. Depending on the available space, the HP filter can be mounted upright or hanging. Optimum flushability is guaranteed in the upright position. A pressure gauge can be fitted in both positions.



		 <p>Filter Typ: L</p>
2329024	2330156	2333265
HP-filter DN10-PN270-SSt IceBreaker	„Ball valve FF-1/4“"-PN530-SST packed“	Fitting SF-MM-R3/8-M24x1.5-530bar-SSt

Product filter for Protective Coating

For PROTEC pumps

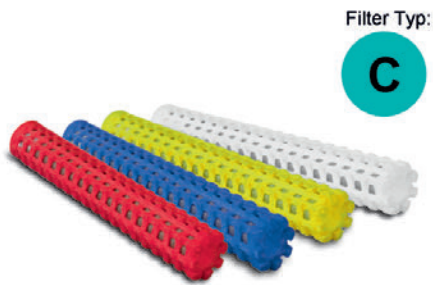
High pressure filter, relief combination, and fitting for connecting to Protective Coating systems.



Description	Product description	Art. No.
HD-Filter DN12-PN530-CS kpl.	High pressure filter for PC pumps, stainless steel with zinc-plated relief ball valve. With 3/8"NPS fitting for manual hose DN 10.	2339900
Rotating connection G3/4 assy. packed	WAGNER M24 adjustment fitting for relief combination or HP filter on high-pressure pumps with G1/2" - 1 outlet thread.	2329923
Release combination PC	Relief combination with steel ball cock and G1/4" connection for return pipe or hose, up to 530 bar; distributor individually: 2347224.	2347275
Y-manifold assy.	To connect a second Airless gun, e.g. GM 1	2339850

Cage filter inserts

Different filter sizes



Cage filters for GM 4700, GM 1, FlexControl Smart and inline filters.
Filter type S with nominal pressure of 530 bar

Description	Nom. pressure bar	Type	Filter mesh	Color	Art. No.
Cage Filter -200M-red-10pcs.	530	S	180	Red	2315723
Cage Filter -150M-blue -10pcs.	530	S	140	Blue	2315724
Cage Filter -100M-yellow -10pcs.	530	S	100	Yellow	2315725
Cage Filter -50M-white-10pcs.	530	S	50	White	2315726
Cage Filter -30M-green -10pcs.	530	S	30	Green	2365429

Inline filter inserts

Filter insert

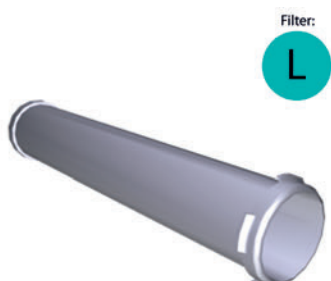


Insert filter for AG14, G15.

Description	Nom. pressure bar	Type	Filter mesh	Color	Art. No.
Inline filter insert red-180-10pcs	270	S	180	Red	97022
Inline filter insert yellow-100-10pcs	270	S	100	Yellow	97023
Inline filter insert white-50-10pcs	270	S	50	White	97024
Inline filter insert green-30-10pcs	270	S	30	Green	97025

High-pressure filter inserts

For HP material filters



Filter inserts for HP product filter (IceBreaker), filter type L with nominal pressure of 530 bar. For high-pressure product filter 2339900, the filter cartridge with 20 mesh is used as standard.

Description	Nom. pressure	Type	Filter mesh	Art. No.
	bar			
Filter cartridge 100mesh	530	L	100	3514068
HP-Filter insert 50mesh	530	L	50	3514069
Filter cartridge 20 meshes	530	L	20	291564
Filter cartridge 200 meshes	530	L	200	295721

Gap filter inserts

Gap filter

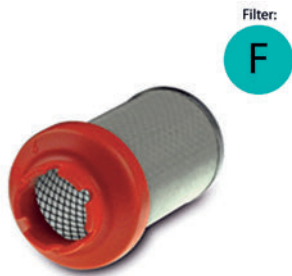


Gap filter inserts for manual and automatic AirCoat guns, e.g. GM 4100 and GM 5000EAC. Filter type G with nominal pressure of 250 bar.

Description	Nom. pressure bar	Type	Suitable for	Filter mesh	Color	Art. No.
Gap-filter insert GA3000-60 M/cm	250	G	GA 3000AC	60	White	380930
Gap-filter insert GA3000-100 M/cm	250	G	GA 3000AC	100	Black	380931
Gap-filter insert GA3000-200 M/cm	250	G	GA 3000AC	200	Yellow	380932
Edge filter 60 mesh	250	G	GM 4100AC	60	White	3204604
Edge filter 100 mesh	250	G	GM 4100AC	100	Black	3204605
Edge filter 200 mesh	250	G	GM 4100AC	200	Yellow	9999002

Low-pressure filter inserts

For LP material filters

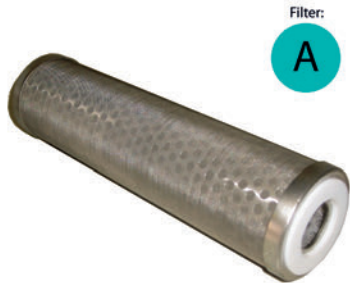


Filter inserts for LP product filters and Fine-Flow-Controllers, suitable for ZIP Finishing pumps. Filter type F with nominal pressure of 14 bar.

Description	Nom. pressure bar	Type	Filter mesh	Color	Art. No.
Filter 100 mesh white	14	F	100	White	T500.00A
Filter 150 mesh	14	F	150	Red	T500.00B
FFC FILTER CARTRIDGE 60M	14	F	60	Black	T500.00

APIC filter inserts

For LP material filter



Filter inserts for LP, stainless steel product filters. Filter type A.

Description	Filter mesh	Art. No.
Filter element Apic 100µm-SSt	140	3207359
Filter element Apic 175µm-SSt	80	3207695
Filter element Apic MS-248-250	60	3201096
Filter element Apic 350µm-SSt	50	3201801
Filter element Apic MS 248-500	30	3201803

Circulation



Circulation



Return pipes and hoses for mounting to high-pressure pump filter and relief combinations.

For circulating material back into the bucket through priming or flushing the flexible circulation hose is recommended. If depressurization only is requested the short recirculation pipe is sufficient.

Description	Material inlet	Length	Art. No.
		mm	
Return pipe DN6-G1/4"-100mm-PA	G 1/4" - I	113	2331752
Return hose 90°	G 1/4" - I	1465	2329046
Exhaust pipe 2L / 5L assy.	G 1/4" - I	350	2333163

	
2331752	2329046
Short return-flow hose for high-pressure filters with ball cock and EvoMotion pumps. Ideal flushing or filling the pump	Return-flow hose with arced return tube that can be laid parallel to the suction hose in the container in connection with the material filter 2329025.

Circulation

For drum covers



In paint supply systems it becomes often necessary to keep either the complete system in a recirculation process or just the pump. For this purpose we offer special recirculation hoses and a special connection plug for WAGNER drum covers to safely fix the recirculation.

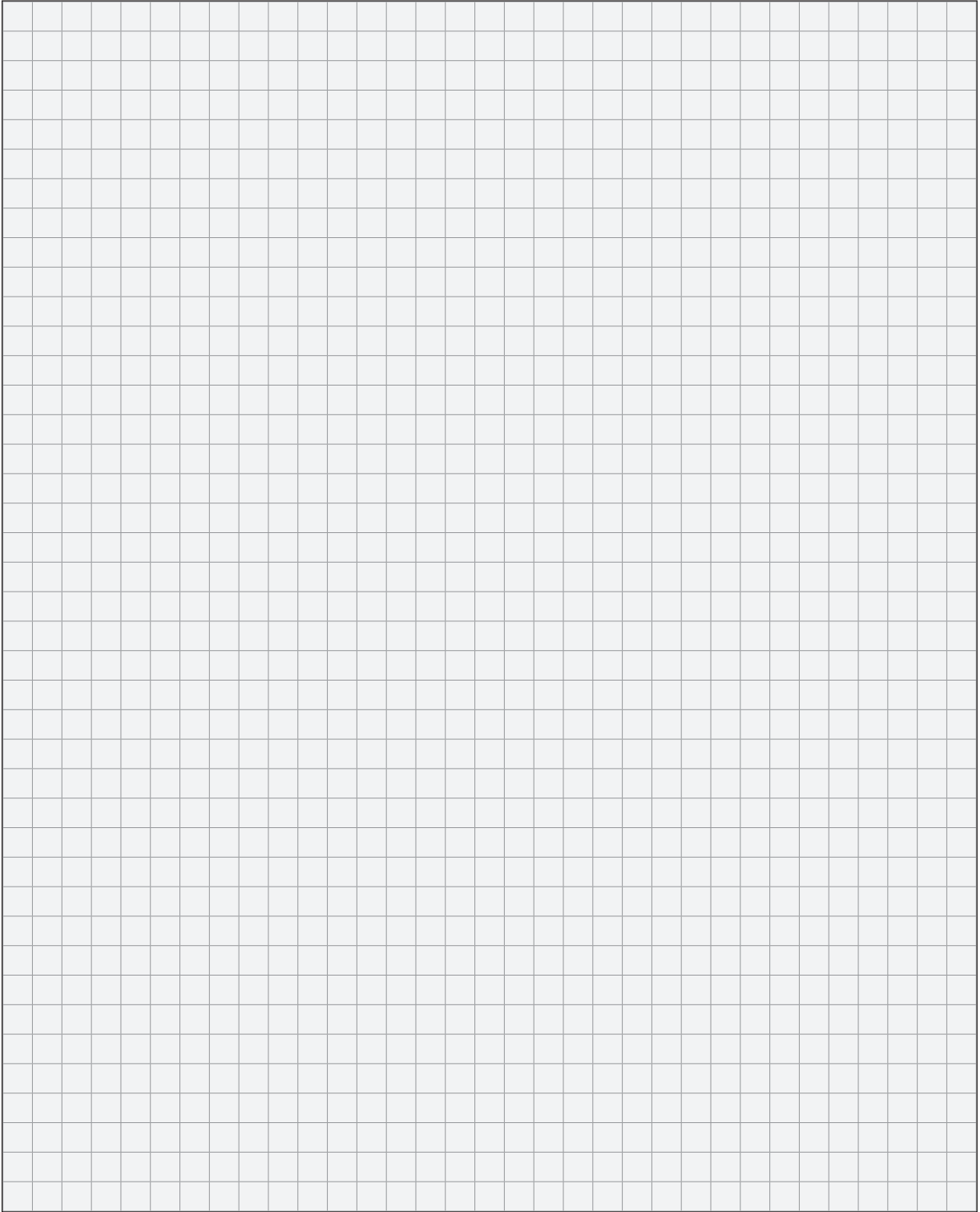
Material processing

Material filter return systems

Description	Nom. pressure	Material inlet	Art. No.
	bar		
Circulation hose DN6-PN310-G1/4"-1.8-PA	310	G 1/4" - I	2331017
Circulation hose DN6-PN310-G1/4"-2.8-PA	310	G 1/4" - I	2331014
pipe 400L			2305748
pipe 800L			2305746
Feedthrough			2305727
DD10 circulation assy	8	G 1/2"	2368428
DD10 filter with circulation	8	G 1/2"	2368434

On the end of the circulation hoses is a 280 mm long lance which is inserted through the feedthrough (2305727) into the tank. An immersion pipe can be screwed into the 3/8" bushing of the drum or tank lid from below, ensuring that the return flow always ends below the fluid level in the tank.





Material manometers

Mechanical fluid manometers to be implemented in the control circuit e.g. at pressure regulators or pump material outlet. WAGNER material manometers are equipped generally with a G1/4" or G1/8" standard manometer connection which requires a special gasket. Additionally to the manometers a variety of adaptors are offered in order to install the measuring equipment in the fluid line.

1. Safe

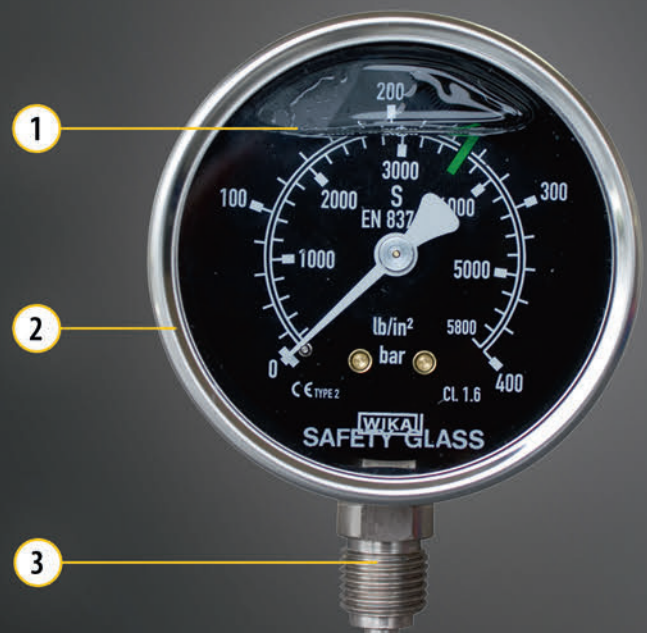
Glycerine fill for effective damping and protection.

2. High quality

High-quality product pressure gage made of stainless steel.

3. BSP can be fitted as standard

Standardized BSP pressure gage fitting with elastic sealing ring.



Manometer

Axial connection



Axial mounted manometers for various measuring ranges. Glycerin-filled manometers help to damp pulsation effects and increase lifetime significantly.

Description	Display range	Ø	Glycerin filling	Pressure gauge connection	Material	Art. No.
	bar	mm				
Mat.-Manometer-axial 16bar-G1/8"	0 – 16	40	Nein	G 1/8"	Stainless steel	9999363
Mat.-Manometer-axial 40bar-G1/8"	0 – 40	40	Nein	G 1/8"	Stainless steel	9999364
Mat.-Manometer-axial 250bar-G1/8"	0 – 250	40	Nein	G 1/8"	Stainless steel	9999365
Mat.-Manometer-axial 40bar-G1/4"	0 – 40	63	Ja	G 1/4"	Stainless steel	9999271
Mat.-Manometer-axial 250bar-G1/4"	0 – 250	63	Ja	G 1/4"	Stainless steel	9998300
Mat.-Manometer-axial 40MPa-G1/4"	0 – 400	63	Ja	G 1/4"	CuSn	9991954
Mat.-Manometer-axial 400bar-G1/4"	0 – 400	63	Ja	G 1/4"	CuSn	9991797
PRESSURE GAUGE 0-400 bar (d63)	0 – 400	63	Ja	G 1/4"	Stainless steel	3676150
PRESSURE GAUGE 0-600 bar (d63)	0 – 600	63	Ja	G 1/4"	Stainless steel	9998145

Manometer

Radial connection



Radial mounted manometers for various measuring ranges. Glycerin-filled manometers help to damp pulsation effects and increase lifetime significantly.

Material processing

Product pressure pressure gage

Description	Display range	Ø	Glycerin filling	Pressure gauge connection	Material	Art. No.
	bar					
PRESSURE GAUGE 0-10 bar (d63)	0 – 10	63	Nein	G 1/4"	Stainless steel	9991937
Mat.-Manometer-radial 400bar-G1/4"	0 – 400	63	Ja	G 1/4"	CuSn	47798
Manometer (RF63)	0 – 400	63	Ja	G 1/4"	CuSn	9991798
Mat.-Manometer-radial 400bar-G1/4"	0 – 400	63	Ja	G 1/4"	CuSn	3676863
Pressure gauge 0-600bar	0 – 600	63	Ja	G 1/4"	CuSn	9999059
Pressure gauge 0-40bar	0 – 40	63	Ja	G 1/4"	Stainless steel	2334656
Pressure gauge 0-250bar	0 – 250	63	Ja	G 1/4"	Stainless steel	2334652

Manometer accessories

Fittings and seals



The manometer connection is designed for use of special gaskets which allows the adjustability of the requested installation angle. Only use the gasket once. After dismantling always use a new gasket!

Description	Pressure gauge connection	material connection	Nom. pressure	Material	Art. No.
			bar		
Manometer fitting-1/4"NPS-PN530-SSt	G 1/4"	NPS 1/4"	530	Stainless steel	2307685
Manometer fitting-3/8"NPS-PN530-SSt	G 1/4"	NPS 3/8"	530	Stainless steel	2307613
pressure gauge fitting assy.	G 1/4"	M16 x 1.5	530	Stainless steel	97277
Sealing ring	G 1/4"			Stainless steel	9970153
Manometer gasket 1/8"	G 1/8"			Stainless steel	389422



Material pressure regulators

Material pressure regulators for high- and low-pressure material processing either with mechanical adjustment or air pressure controlled. Depending on the fluids processed different body-, diaphragm- and sealing materials are selectable. The WAGNER Fine Flow Controller (FFC) is additionally equipped with a paint filter cartridge.

1. Manually and pneumatically

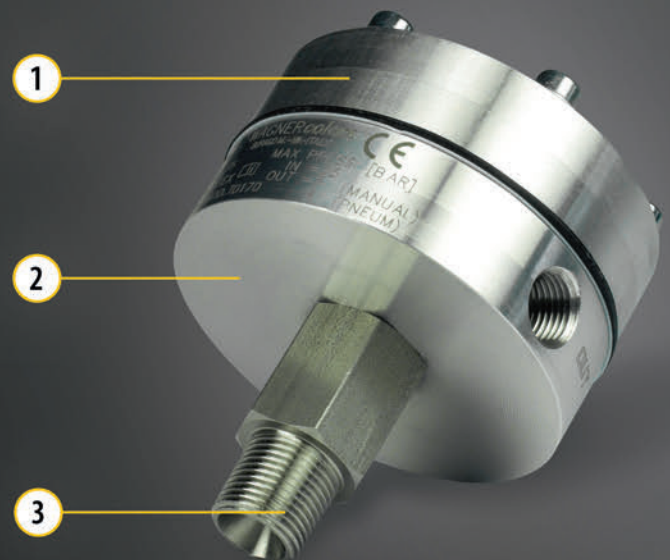
Manually and pneumatically adjustable versions.

2. Made of stainless steel

Product-resistant stainless steel version for water- and solvent-based lacquers.

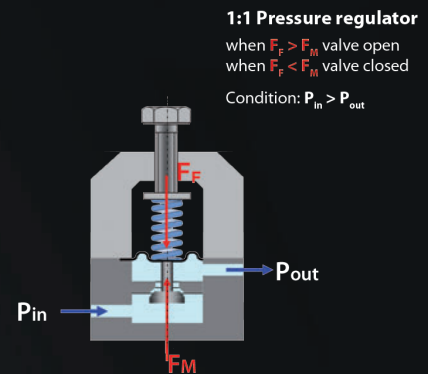
3. For diverse usage conditions

Stainless steel or carbide seats; ceramic as option for numerous usage conditions



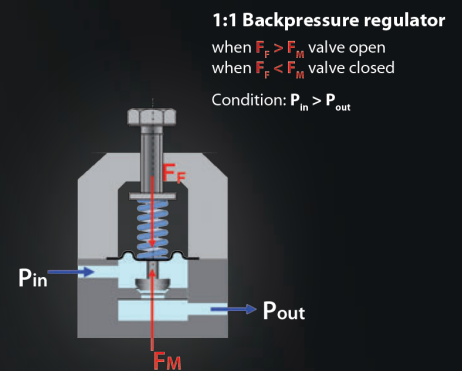
Pressure regulation: functional principle

Upstream regulators control the output pressure by means of an adjustable spring load which balances the force produced by the input pressure. The spring force is adjusted by turning the handle or spindle which sets the desired output pressure. If the force resulting from the input pressure exceeds the spring force, the regulator is opened until the spring force and input pressure are balanced.



Backpressure regulation: functional principle

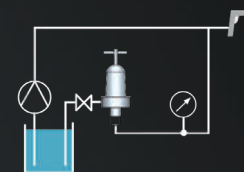
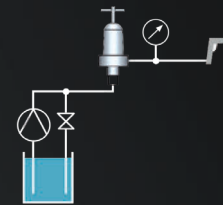
Backpressure regulators control the input pressure by means of an adjustable spring load which balances the force produced by the input pressure. The spring force is adjusted by turning the handle or spindle which sets the desired input pressure. If the force resulting from the input pressure exceeds the spring force, the regulator is opened until the spring force and input pressure are balanced.



Installation schemes (examples)

A combination of upstream and backpressure regulators permits very precise regulation of the product pressure.

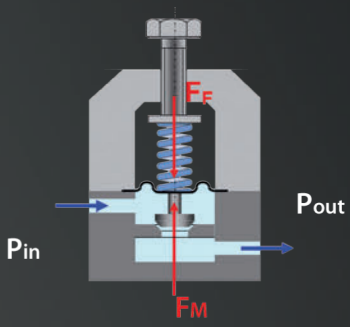
Use of a backpressure regulator requires permanent product circulation.

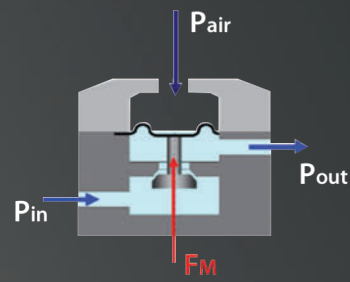


Selection table for material pressure regulators

Select the required regulator by the type of application, regulation range, and product. Detailed technical information is published on the following pages.

Abbreviations: MPR = upstream pressure regulator; BPR = backpressure regulator

	Range	Part No.	max. inlet pressure	max. flow (l/min)	Material
Manual Adjustable Regulators					
	Low pressure manual regulators				
	0,5 - 5 bar	T0170.00A	25 bar	2,0 L/min.	Alu / PTFE
	0,5 - 5 bar	T0170.00AI	40 bar	2,0 L/min.	SSt / PTFE
	1 - 10 bar	3672042	40 bar	4,0 L/min.	SSt / PTFE
	2 - 20 bar	3668095	40 bar	4,0 L/min.	SSt / PTFE
	High pressure manual regulators				
	10 - 60 bar	T090.00A	300 bar	0,8 L/min.	CS / PE
	10 - 60 bar	T090.00MAG	300 bar	1,0 L/min.	CS / PE
	10 - 60 bar	T092.00AI	300 bar	3,2 L/min.	SSt / PE / TC
	40 - 70 bar	3209265	210 bar	n.n.	SSt / PTFE
	30 - 120 bar	T090.00B	300 bar	0,8 L/min.	CS / PE
	30 - 120 bar	T092.00BI	300 bar	0,8 L/min.	SSt / PE / TC
	40 - 180 bar	T090.00C	300 bar	0,8 L/min.	CS / PE
	40 - 180 bar	T090.00CR	300 bar	0,8 L/min.	CS / PE / TC
	50 - 200 bar	3209264	210 bar	n.n.	SSt / PTFE
	90 - 200 bar	3668144	360 bar	15,0 L/min.	SSt
	Back-pressure manual regulators				
	40 - 70 bar	3209096	210 bar	n.n.	SSt / PTFE
1 - 10 bar	3672038	40 bar	15,0 L/min.	SSt / PTFE	
50 - 200 bar	3209123	210 bar	n.n.	SSt / PTFE	
90 - 200 bar	3672040	360 bar	23 L/min.	SSt	

	Range	Part No.	max. inlet pressure	max. flow (l/min)	Material	
Pneumatic/Remote Regulators						
	Low pressure pneumatic regulators					
	0,1 - 2 bar	T0170.00R4	25 bar	0,5 L/min.	SSt / PTFE	
	0,5 - 8 bar	T0170.00B	25 bar	2,0 L/min.	Alu / PTFE	
	0,5 - 8 bar	T0170.00BI	25 bar	2,0 L/min.	SSt / PTFE	
	0,5 - 8 bar	T0170.00BIP	25 bar	2,0 L/min.	SSt / PE	
	1 - 10 bar	3672041	40 bar	4,0 L/min.	SSt / PTFE	
	High pressure pneumatic regulators					
	20 - 120 bar	T092.0PNI	300 bar	3,1 L/min.	SSt / PE / TC	
	50 - 250 bar	3208252	360 bar	n.n.	SSt / PTFE	
	Back-pressure pneumatic regulators					
	0 - 8 bar	T012.00A	8 bar	n.n.	SSt / PTFE	
	Material shortcuts	Alu SSt TC PTFE PE	Aluminium Stainless steel Tungsten carbide Polytetrafluorethylen Ultra-High-Density-Polyethylen (UHMW-PE)			

Material pressure regulator 1:4

0,2 - 2 bar

Low-pressure - pneumatic



Pressure regulator for regulating low product pressures when air pressure is four times greater. For air pressure up to 8 bar and product control pressure up to 2 bar (4:1) for flow rates up to 2.0 l/min. With PTFE diaphragm and stainless steel housing. For better flushing, the regulator can also be driven as a 1:1 regulator. This makes the full passage possible at a relatively low input air pressure.

Description	Max. inlet pressure	Range	Material outlet	Material inlet	Control air connection	body material	Service set	diaphragm set	Art. No.
	bar	bar							
MPR 25/0,1-2bar pneum. SSt	40	0.2 - 2	G 1/4"-F	G 3/8"-M	G 1/8"-F	SSt	T6096.00C	T9095.00B	T0170.00R4
Material pressure regulator	40	0.2 - 2	G 1/8"-F	G 3/8"-M	G 1/8"-F	SSt	T6096.00D	T9005.00C	T0170.00LV4

Version T0170.00LV4 with following characteristics:

- Flushing time reduced
- Outlet G 1/8" F (higher speed and turbulence in the outlet, especially with small flow rate)
- Flushing efficiency increased because of higher turbulences
- No manometer connection avoiding dead areas
- No dead areas where the material could stop and polymerize
- Available version 1:4 (usable also 1:1) and manual control

Material pressure regulator

0,5 - 5 bar

Low-pressure - manual



Manually adjustable low-pressure regulator up to 5 bar, control range for flow rates up to 2.0 l/min. With PTFE diaphragm, depending on version made of stainless steel or aluminum.

Material processing

Product pressure regulator

Description	Max. inlet pressure	Range	Material outlet	Material inlet	body material	Service set	diaphragm set	Art. No.
	bar	bar						
MPR 25/0,5-5bar man. Alu	25	0.5 – 5	F-G 1/4"	M-R 3/8"	Al	T6096.00A	T9095.00	T0170.00A
MPR 25/0,5-5bar man. SSt	25	0.5 – 5	F-G 1/4"	M-R 3/8"	SSt	T6096.00A	T9095.00	T0170.00Al
MPR 40/0,5-5bar man. SSt	40	0.5 – 5	F-G 1/4"	M-R 3/8"	SSt	T6096.00A	T9095.00	T0170.00Al4
Material pressure regulator set 8bar mec	40	0.5 – 5	F-G 1/4"	M-R 3/8"	SSt	T6096.00A	T9095.00	2315994
Press.Reg + gauge 0-60bar	60	0 – 10	F-G 1/4"	M-R 3/8"	SSt	T6096.00A	T9095.00	9991908



9991908

Press.Reg + gauge 0-60bar

Material pressure regulator

0,5 - 8 bar

Low-pressure - pneumatic



Pneumatically controlled low-pressure regulator up to 8 bar control range for flow rates up to 2.0 l/min. With PTFE diaphragm, depending on version in stainless steel or aluminum.

Description	Max. inlet pressure	Range	Material outlet	Material inlet	Control air connection	body material	Service set	diaphragm set	Art. No.
	bar	bar							
MPR 25/0,5-8bar pneum. Alu	25	0.5 - 8	G 1/4"-F	R 3/8"-M	G 1/8"-F	Aluminum	T6096.00A	T9095.00	T0170.00B
MPR 40/0,5-8bar pneum. SSt	40	0.5 - 8	G 1/4"-F	R 3/8"-M	G 1/8"-F	SSt	T6096.00B	T9095.00A	T0170.00BI
MPR 40/0,5-8bar pneum. SSt/PE	40	0.5 - 8	G 1/4"-F	R 3/8"-M	G 1/8"-F	SSt	T6096.00C	T9095.00B	T0170.00BIP
Material pressure regulator set 8bar pne	40	0.5 - 8	G 1/4"-F	R 3/8"-M	G 1/8"-F	SSt			2315965

Material pressure regulator „Fine Flow“ 0,5 - 8 bar

Low-pressure - pneumatic with filter



Pneumatically controlled low-pressure regulator up to 8 bar control range for flow rates up to 2.0 l/min. With PTFE diaphragm, depending on version in stainless steel or aluminum. The regulator can be adjusted extremely sensitively and is fitted with an extra product filter.

Material processing

Product pressure regulator

Description	Max. inlet pressure bar	Range bar	Material outlet	Material inlet	Control air connection	body material	Service set	diaphragm set	Art. No.
FFC 14/0,5-8bar pneum.SSt/Ceramic	14	0.5 – 8	G 1/4"–F	G 1/4"–F	G 1/8"–F	Stainless steel	T6193.00A	T9086.00A	T0180.00AIC
FFC 25/0,5-8bar pneum. SSt	25	0.5 – 8	G 1/4"–F	G 1/4"–F	G 1/8"–F	Stainless steel	T6193.00	T9086.00	T0180.00I
FFC 14/0,5-8bar pneum. Alu	14	0.5 – 8	G 1/4"–F	G 1/4"–F	G 1/8"–F	Consistal	T6193.00	T9086.00	T0180.00A
FFC 14/0,5-8bar pneum. SSt	14	0.5 – 8	G 1/4"–F	G 1/4"–F	G 1/8"–F	SSt	T6193.00	T9086.00	T0180.00AI
DD10 Pressure reducer FFC		0.5 – 8	G 1/4"–F	G 1/4"–F	G 1/8"–F		T6193.00	T9086.00	2368735

The WAGNER FFC´s are equipped with a 100mesh material filter as standard. The additional filter-volume works as a damping element and effects the pulsation behaviour even more positive. The version T0180.00AIC has a ceramic valve seat for outstanding lifetime when abrasive fluids are processed.



Material pressure regulator

10 - 180 bar

High-pressure - manual



Manually controllable high-pressure regulator up to 180 bar for flow rates up to 0.8 l/min. Low-cost version from zinc-plated steel with diaphragm made of extremely resistant highly molecular polyethylene for fluids containing solvents, piston controlled.

Description	Max. inlet pressure	Range	Material outlet	Material inlet	diaphragm set	Art. No.
	bar	bar				
MPR 300/10-60bar man. CS	300	10 – 60	F-G 1/4"	F-G 1/4"	T9062.00	T090.00A
MPR 300/30-120bar man. CS	300	30 – 120	F-G 1/4"	F-G 1/4"	T9062.00	T090.00B
MPR 300/40-180bar man. CS	300	40 – 180	F-G 1/4"	F-G 1/4"	T9062.00	T090.00C

Material pressure regulator

10 - 120 bar

High-pressure - manual



Manually controllable high-pressure regulator up to 120 bar for flow rates up to 3.1 l/min. Made of stainless steel with diaphragm made of extremely resistant highly molecular polyethylene suited to virtually all products.

Material processing

Product pressure regulator

Description	Max. inlet pressure	Range	Material outlet	Material inlet	diaphragm set	Art. No.
	bar	bar				
MPR 300/10-60bar man. SSt / TC	300	10 – 60	F-G 1/4"	F-G 1/4"	T9061.00	T092.00AI
MPR 300/30-120bar man. SSt/TC	300	30 – 120	F-G 1/4"	F-G 1/4"	T9061.00	T092.00BI

Material pressure regulator

40 - 200 bar

High-pressure - manual



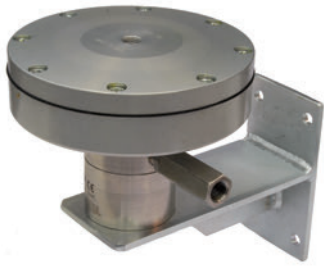
Manually adjustable high-pressure regulator up to 200 bar made of stainless steel, piston design with PTFE seal. Either with or without pressure gage to indicate the set product pressure.

Description	Max. inlet pressure	Range	Material outlet	Material inlet	Max. material delivery rate	Service set	Art. No.
	bar	bar			cm ³ /min		
MPR 40-70bar man. SSt	210	40 – 70	F-G 3/8"	F-G 3/8"	1300	3209784	3209265
MPR 50-200bar man. SSt manometer	210	50 – 200	F-G 3/8"	F-G 3/8"	1400	3209784	3209434

Material pressure regulator

20 - 120 bar

High-pressure - manual



Pneumatically controlled high-pressure regulator including wall bracket up to 120 bar for flow rates up to 3.1 l/min . Made entirely from stainless steel with diaphragm made of highly molecular polyethylene suited to virtually all products.

Material processing

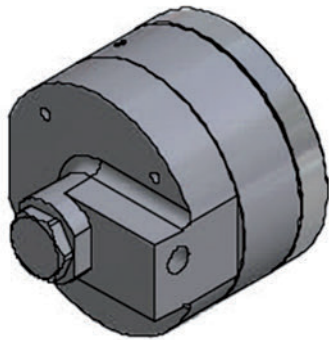
Product pressure regulator

Description	Max. inlet pressure	Range	Material outlet	Material inlet	Control air connection	diaphragm set	Art. No.
	bar	bar					
MPR 300/20-120 pneum. SSt/TC	300	20 – 120	F-G 1/4"	F-G 1/4"	F-G 1/4"	T9061.00A	T092.00PNI

Material pressure regulator

50 - 250 bar

High-pressure - manual



Pneumatically controlled high-pressure regulator up to 250 bar for flow rates up to 1.0 l/min. With seat and ball made of stainless steel, not suitable for highly pigmented and abrasive products.

Description	Max. inlet pressure	Range	Material outlet	Material inlet	Control air connection	Service set	Art. No.
	bar	bar					
MPR 360/50-250bar pneum. SSt	360	50 – 250	F-G 1/4"	F-G1/4"	F-G 1/4"	3208732	3208252

Material pressure regulator

1 - 200 bar

For high flow rates



Manually or pneumatically adjustable high-/low-pressure regulator up to 200 bar for high flow rates. Made entirely from stainless steel with PTFE diaphragm/seal. Either with or without pressure gage.

Description	Max. inlet pressure	Range	Material outlet	Material inlet	Max. material delivery rate	Service set	Art. No.
	bar	bar			cm ³ /min		
MPR-HF 40/1-10bar man. SSt.	40	1 – 10	F-G 3/8"	F-G 3/8"	4000	3668156	3672042
MPR-HF 40/1-10bar man. SSt; mano.	40	1 – 10	F-G 3/8"	F-G 3/8"	4000	3668156	3668011
MPR-HF 40/1-10bar pneum. SSt.	40	1 – 10	F-G 3/8"	F-G 3/8"	4000	3668157	3672041
MPR-HF 40/1-20bar man. SSt.	40	1 – 20	F-G 3/8"	F-G 3/8"	4000	3668156	3668095
MPR-HF 40/1-20bar man. SSt; Mano.	40	1 – 20	F-G 3/8"	F-G 3/8"	4000	3668156	3668012
MPR-HF 360/90-200 man. SSt.	360	90 – 200	F-G 3/8"	F-G 3/8"	15000	3668156	3668144
MPR-HF 360/90-200 man. SSt. mano.	360	90 – 200	F-G 3/8"	F-G 3/8"	15000	3668158	3668024

Back-pressure regulator 0 - 8 bar

Low-pressure - pneumatic/manual



Back-pressure regulator up to 8 bar for flow rates up to 2.0 l/min, made entirely from stainless steel with PTFE diaphragm, suited to virtually all fluids. Including pressure gage and fitted air regulator to set the desired control air pressure.

With fitted air pressure regulator to set the control air pressure.

Description	Max. inlet pressure	Range	Material outlet	Material inlet	Control air connection	Service set	Art. No.
BPR 8/0-8bar pneum. SSt manometer	8 bar	0 - 8 bar	M-G 3/8"	F-G 1/4"	D4/2.5	T6095.00	T012.00A

Back-pressure regulator 40 - 200 bar

High-pressure - manual



Back-pressure regulator up to 200 bar for flow rates up to 0.9 l/min. Made entirely from stainless steel, piston design with PTFE seal. Either with or without pressure gage.

Description	Max. inlet pressure	Range	Material outlet	Material inlet	Service set	Art. No.
	bar	bar				
backflow regulator manual	210	40 – 70	F-G 3/8"	F-G1/4"	3209420	3209096
BPR 40-200bar man. SSt	210	50 – 200	F-G 3/8"	F-G1/4"	3209420	3209123
BPR 50-200bar man. SSt; manometer	210	50 – 200	F-G 3/8"	F-G1/4"	3209420	3209455
BPR 40-70bar man. SSt; manometer	210	40 – 70	F-G 3/8"	F-G1/4"	3209420	3209454

Back-pressure regulator 1 - 200 bar

For high flow rate



Manual adjustable back-pressure regulator for high flow rates. Made of stainless steel with PTFE gasket/diaphragm. Selectable with or without pressure gage.

Description	Max. inlet pressure	Range	Material outlet	Material inlet	Max. material delivery rate	Art. No.
	bar	bar			cm ³ /min	
BPR-HF 10/1-10bar man. SSt	10	1 – 10	F-G 3/8"	F-G 3/8"	15000	3672038
BPR-HF 10/1-10bar man. SSt; mano.	10	1 – 10	F-G 3/8"	F-G 3/8"	15000	3667480
BPR-HF 360/90-200 man. SSt.	360	90 – 200	F-G 3/8"	F-G 3/8"	23000	3672040
BPR-HF 360/90-200 man. SSt. mano.	360	90 – 200	F-G 3/8"	F-G 3/8"	23000	2302998

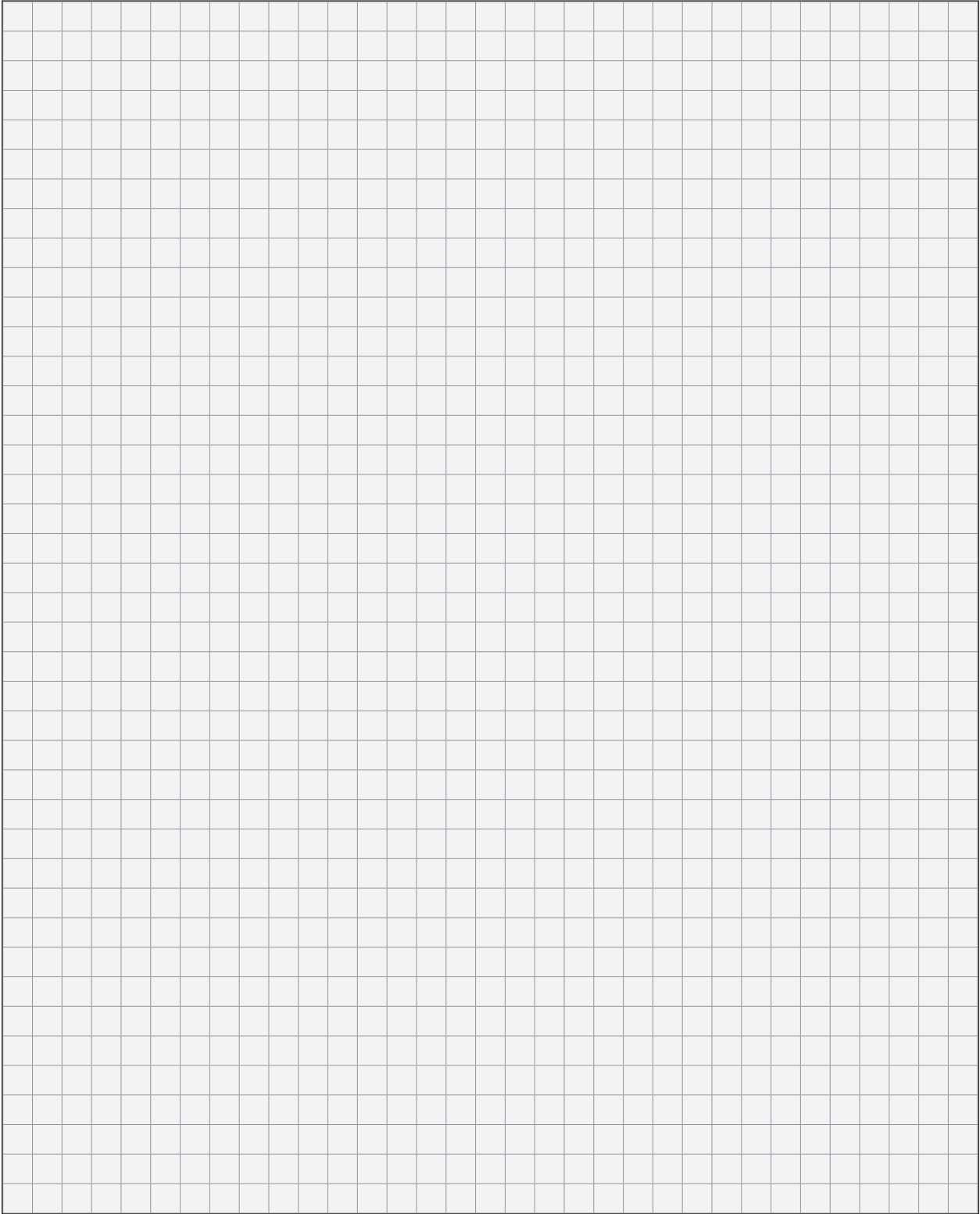
Other regulators

For various pumps



Flow adjustment valve for ZIP pump. Low-cost control of pump speed without regulation function.

Description		Art. No.
Kit control valve flexo		T600.523



Material heaters

Basically two systems of heaters are available: Compact flow heaters and the thermo system with oil-heated hoses. Both allow to heat up material up to 80°C in order to guarantee precise material handling under highly reproduceable conditions. Especially when high solid or low solvent paints have to be processed these units show significant performance in fluid handling.

1. Can be regulated up to 80°C

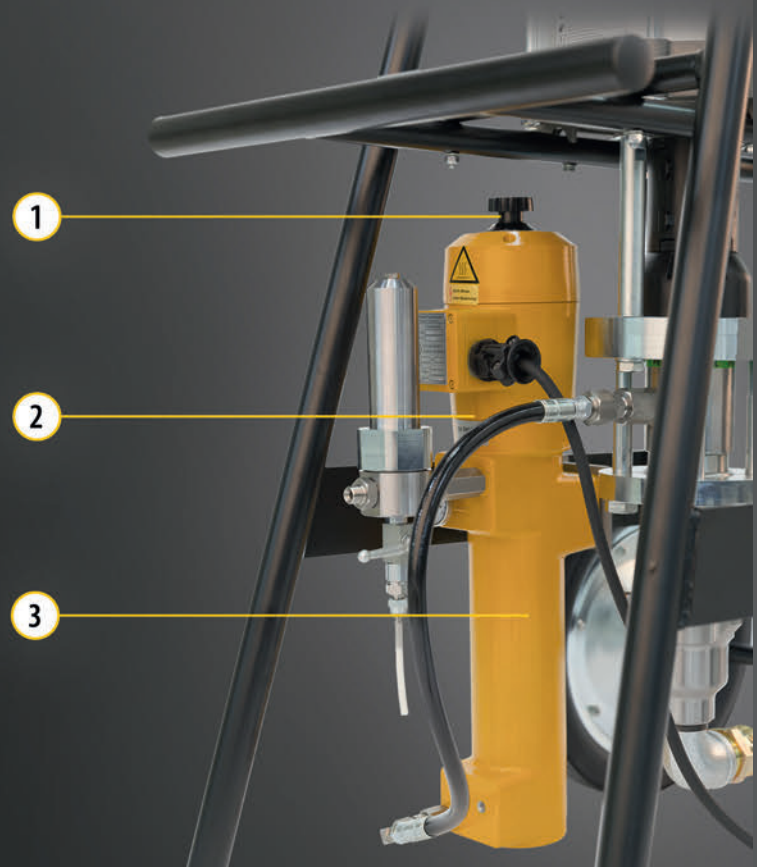
Can be controlled up to 80°C for constant product temperature.

2. Approved for use in explosive areas

3,200 W heating output for effective heating; approved for use in explosive areas.

3. Made of stainless steel

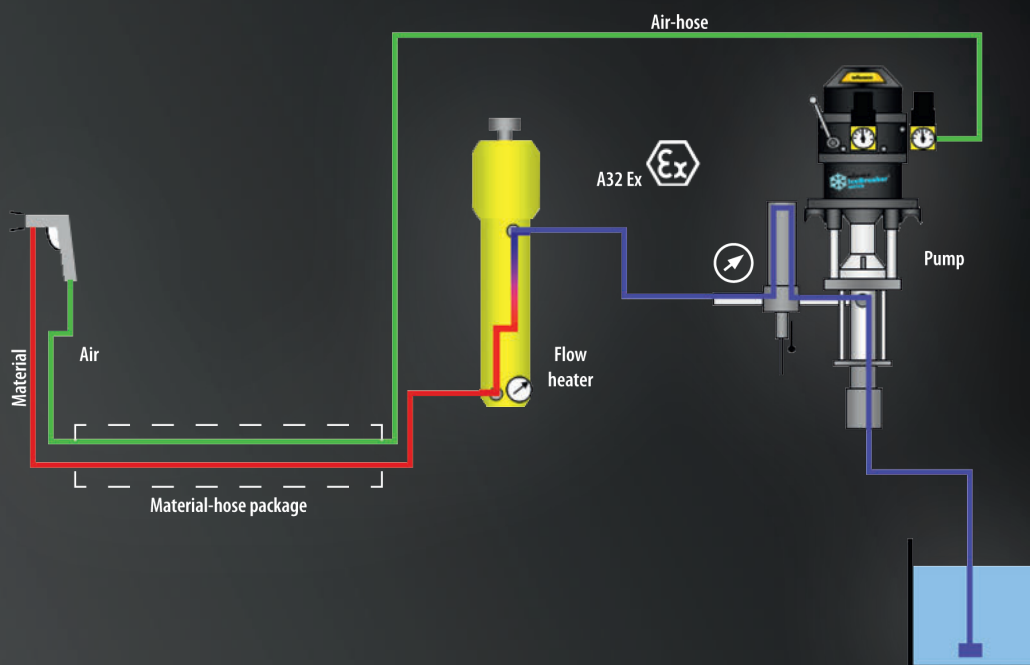
Made of stainless steel for water- and solvent-based lacquer.



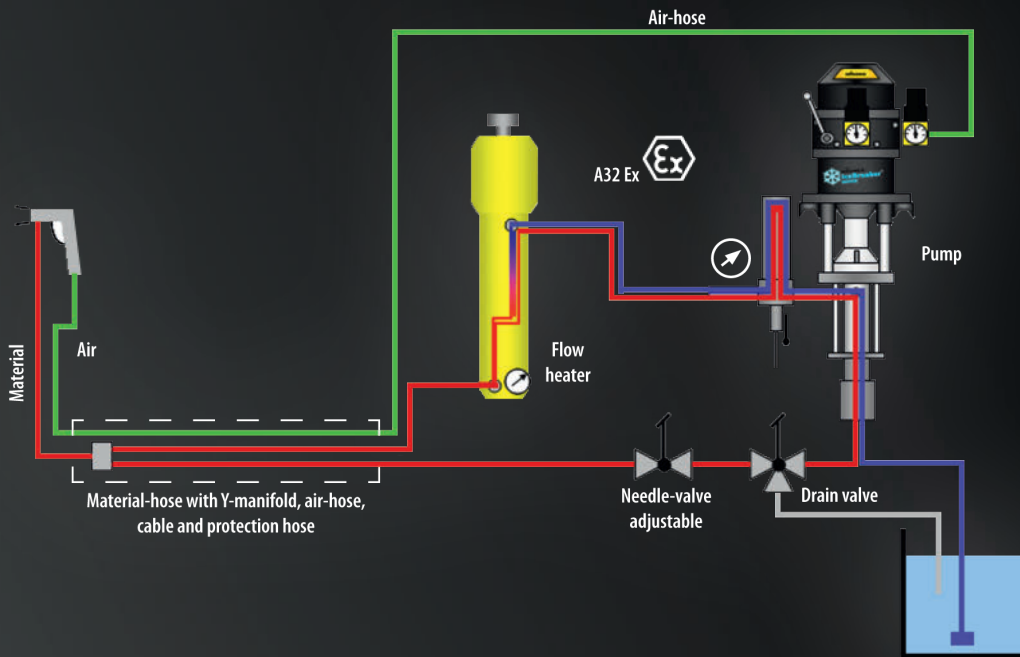
Functional principle: HSA flow heaters

HSA flow heaters heat the material by the flow through the electrical heating pipe. For heating the material must remain in continuous circulation. The temperature control ensures constant material temperature and a safety circuit avoids overheating of the material. The flow heaters are approved for use in explosive areas.

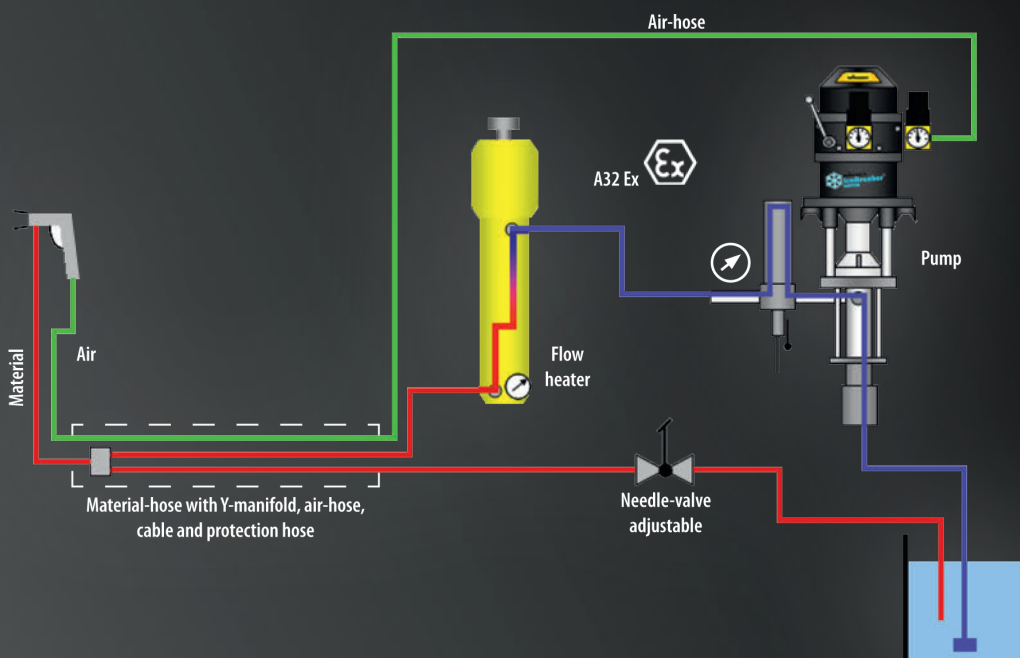
Hot spraying without return



Hot spraying with small return



Hot spraying with big return



Flow heater HSA

A 32 Ex



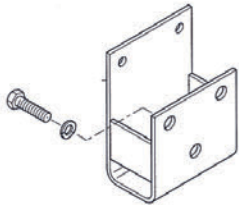
HSA continuous flow heater for paint heating using the recirculation method. Only two models are available: single-circuit heater with cross-section of DN 10. The double-circuit heater permits a stronger heating of smaller amounts due to a larger surface and the possibility of connecting the heating coils in a series.

Description	Width	Height	Depth	Number of flow-through coils	Flow-through coil	Material inlet	Material outlet	Nom. pressure	Art. No.
	mm	mm	mm		mm			bar	
HEATER	180	680	150	1	10	M 20x1.5	M 20x1.5	530	65021
HSA Materialheater A32 Ex 2-circuit	180	680	150	2	6	M 16x1.5	M 16x1.5	270	65022

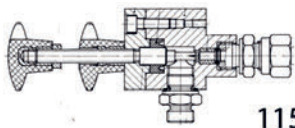
Installation material

For flow heater HSA

Installation material and Airless/AirCoat hoses for HSA continuous flow heaters.



65203



115086



368340



368975

Description	Material	Nom. pressure	Art. No.
		bar	
HSA-Wall bracket for A32Ex	Steel		65203
Mounting plate 6	Steel		368340
Support	Steel		368975
HSA-circulation-valve	Stainless steel	250	115086

Heater sets

For TwinControl



Contains all the parts needed to attach a heater in a TwinControl system, including assembly manual

Description	Product description	Art. No.
Heater-set A,B TC bis 35-150	Set of heaters for TwinControl Finishing up to Leopard 35-150, component A or B	2338290
Heater-Set B TC 38-300, 72-300	Set of heaters for TwinControl Protective Coating, only B component, fluid section 300 cc	2340906
Heater-Set B Trolley 38-300, 72-300	Set of heaters for TwinControl Protective Coating with trolley, only B component, fluid section 300 cc	2340907
Heater set PC	Set of heaters for Protective Coating 1 K	2339728
Heater-Set A,B TC 72-300	Set of heaters for TwinControl Protective Coating, only component A, fluid section 300 cc	2338291
Heater-Set A TC Trolley 72-300	Set of heaters for TwinControl Protective Coating with trolley, only component A, fluid section 300 cc	2338292
Heater-Set A,B TC Trolley 75-150	Set of heaters for TwinControl Protective Coating with trolley, A or B component, fluid section 200 cc	2338293
Heater-Set A,B TC 48-110 bis 75-150	Set of heaters for TwinControl Protective Coating, A or B component, fluid section 200 cc	2338294

Material valves

Pneumatically driven color change and dosing valve for the complex and precise processing of color and multi-component paints. WAGNER valves are characterized by excellent functionality and tangibility with high savings potential. The valves are available in various sizes and designs and completely manufactured from stainless steel. A series of manual ball valves round off the program.

1. Very easy to flush

Small internal volumes and circulation connections for the best flushing.

2. Made of stainless steel

Made entirely of stainless steel, suitable for all products.

3. For precise paint changes

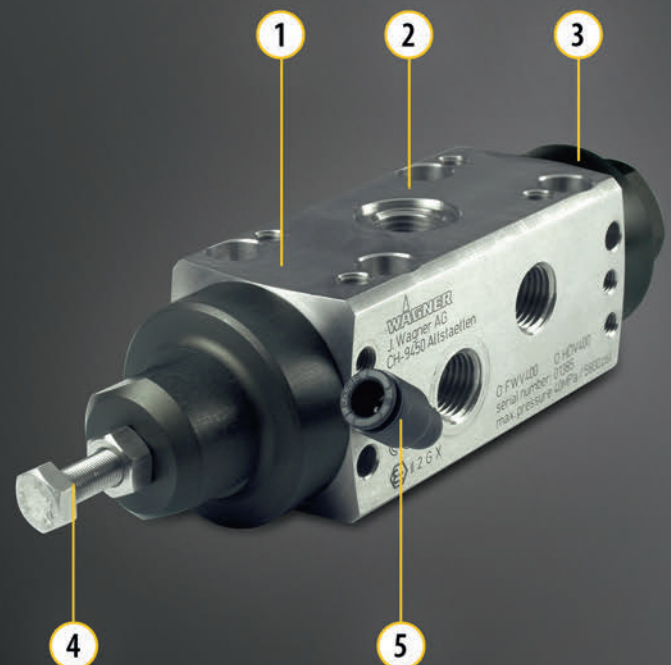
Rapid-switching pneumatic drive for precise paint changes.

4. Supply precise mixing ratios

Finely adjustable injection valve for accurate mixing ratios.

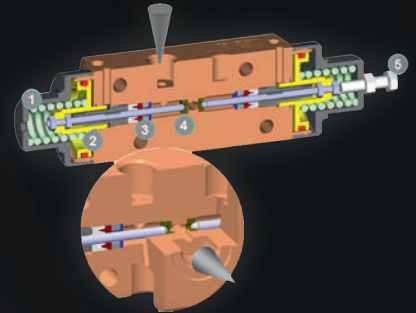
5. Durable

Mesamoll or solvent template for long service life.



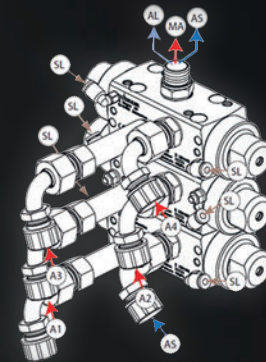
Operating principle

The control air moves the piston (2) to the left, thus opening the valve (4) and releasing the material flow. The reset spring (1) closes the valve if no control air is present. The packing (3) seals off the system reliably. A separating medium can also be admitted to the space between the control air cylinder and packing to increase the service life of the packing and piston. With the adjuster screw (5), the free path of the injection valve and thus the injection volume can be limited.



Integration of the valves

Color change and dosing valves can be stacked in any manner. A circulation can be set up for the material inputs at any time. All valves are collected in a centralized output line. Special connecting elements minimize the dead volume in the valve block.



Various valve sizes

Three color change valve series are available: line cross-sections 2.6 mm - 4.0 mm, and 10 mm.



Color change and dosing valves

Pneumatic, \varnothing 2.6 mm



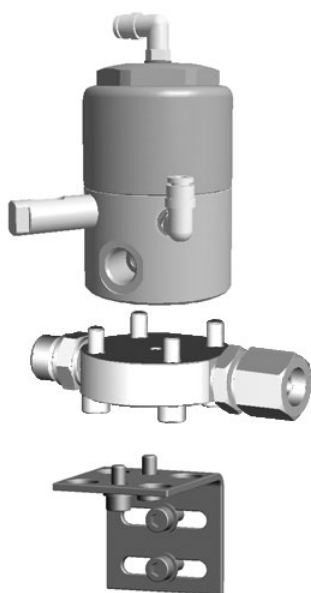
Color change valves and dosing valves for the multi-paint or 2-component system. Excellent flushability and durability. Extremely short switching times.

Spring return for control air relief.

Description	Valve seat material	Ball material	Nom. pressure	Min. material \varnothing	Packing type	Min. control air pressure	Control air connection	Material connection	Art. No.
			bar	mm		bar			
Separating fluid delivery			400	2.6	PTFE	5	F-M 5	G 1/4"-F	389064
Dosing valve TC 2.6mm/5bar/400bar	Tungsten carbide	Tungsten carbide	400	2.6	PTFE	5	F-M 5	G 1/4"-F	2332670
Valve PV100-DN2.6-PTFE-TC	Tungsten carbide	Tungsten carbide	100	2.6	PTFE	3.5	F-M 5	G 1/4"-F	2342811
Valve PV400-DN2.6-PTFE-TC	Tungsten carbide	Tungsten carbide	400	2.6	PTFE	5	F-M 5	G 1/4"-F	2342807
Valve PV100-DN2.6-PTFE-SSt	Stainless steel	Stainless steel	100	2.6	PTFE	3.5	F-M 5	G 1/4"-F	2342809
Valve PV400-DN2.6-PTFE-SSt	Stainless steel	Stainless steel	400	2.6	PTFE	5	F-M 5	G 1/4"-F	2342804
Valve DV100-DN2.6-PTFE-TC	Tungsten carbide	Carbide	100	2.6	PTFE	3.5	F-M 5	G 1/4"-F	2342812
Valve DV100-DN2.6-PTFE-SSt	Stainless steel	Stainless steel	100	2.6	PTFE	3.5	F-M 5	G 1/4"-F	2342810
Valve DV400-DN2.6-PTFE-TC	Tungsten carbide	Tungsten carbide	400	2.6	PTFE	5	F-M 5	G 1/4"-F	2342808
Valve DV400-DN2.6-PTFE-SSt	Stainless steel	Stainless steel	400	2.6	PTFE	5	F-M 5	G 1/4"-F	2342806

Color change and dosing valves



Pneumatic, \varnothing 4 mm



Color change valves and dosing valves for the multi-paint or 2-component system. Excellent flushability and durability. Extremely short switching times.

Double control air drive, without spring return.
The base plate must be ordered separately.

Description	Valve seat material	Material valve needle	Nom. pressure	Min. material \varnothing	Packing type	Min. control air pressure	Material connection	Max. switching frequency	Release agent feed	Art. No.
			bar	mm		bar		Hz		
PAINT VALVE TC 4MM/530BAR	Tungsten carbide	Hartmetall	530	3.5	PTFE	5	G 1/4"-F	3	incl.	377142
PAINT VALVE SS 4MM/530BAR	Stainless steel		530	3.5	PTFE	5	G 1/4"-F	3	incl.	377095
DOSING VALVE TC 4MM/530BAR	Tungsten carbide		530	3.5	PTFE	5	G 1/4"-F	3	incl.	377143
DOSING VALVE SS 4MM/530BAR	Stainless steel		530	3.5	PTFE	5	G 1/4"-F	3	incl.	377096
Circulation connection ass.			530	4	PTFE	5	G 1/4"-F		-	377093
Ground plate valve 400-4 ass.			530	4	PTFE	5	G 1/4"-F		-	392093
Ground plate end 400-4			530	4	PTFE	5	G 1/4"-F		-	392096
Mounting valve 400-4 ass.			530	4	PTFE	5	G 1/4"-F		-	392090
Paint valve SSt 4mm/5bar/100bar	Stainless steel		100	4	PTFE	5	G 1/4"-F			2306793
Paint valve PV530-4 SSt assy.	Stainless steel	Hartmetall	530	4	PTFE	5	G 1/4"-F	3	incl.	2357411
Paint valve PV530-4 TC kpl.	Tungsten carbide	Hartmetall	530	4	PTFE	5	G 1/4"-F	3	incl.	2357409
Dosing valve DV530-4 TC assy.	Tungsten carbide	Hartmetall	530	4	PTFE	5	G 1/4"-F	3	incl.	2357464
Dosing valve DV530-4 SSt assy.	Stainless steel	Hartmetall	530	4	PTFE	5	G 1/4"-F	3	incl.	2357465
Mixing pipe set 10-300 VA	Tungsten carbide	Hartmetall	530	4	PTFE	5	G 1/4"-F	3		2360426

	
377093	2306793
Circulation connection ass.	Paint valve SSt 4mm/5bar/100bar

Mount the adaptor 377093 when a permanent circulation of material is requested.

Color change and dosing valves

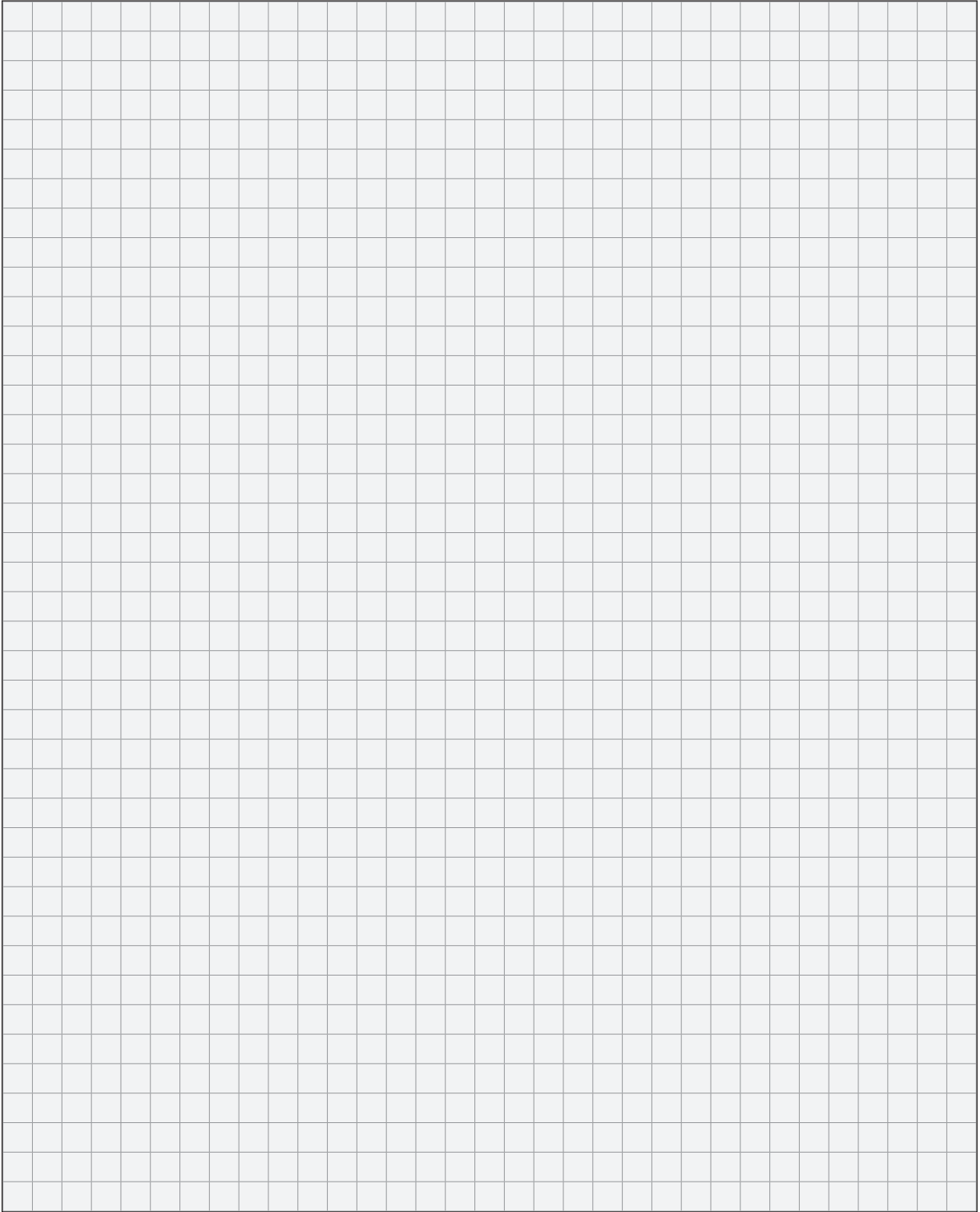
Pneumatic, \varnothing 10 mm




Pneumatic ball valve with large cross-section. Not self-closing.



Description	Material	Nom. pressure	Min. material \varnothing	Packing type	Min. control air pressure	Material inlet	Material outlet	Control air connection	Circulation	Art. No.
		bar	mm		bar					
Valve with pneumatic drive	Stainless steel	400	10	Viton	5	F-G 3/8"	F-G 1/2"	F-G 1/4"	Circulation	9999082
Valve with pneumatic drive	Stainless steel	500	10	Viton	5	F-G 1/2"	F-G 1/2"	F-G 1/8"	No circulation	2303551



All components ideally connected.

A detailed photograph of a Wagner coating system. The image shows a complex arrangement of black and red hoses connected to a central metal manifold. The manifold has two sections labeled 'A' and 'B'. In the background, a black spray gun is visible with the Wagner logo and the text 'WAGNER IceBreaker water' on its side. The overall scene is set against a dark, industrial background.

Select from our vast array of product hoses and fittings to cost-effectively put together your coating system for optimum results.



Material hoses & fittings



Material hoses

136



Material fittings

156

Material hoses

Product hoses for transporting surface coating fluids, e.g. lacquer, hardener, solvent, separating agent or stains up to working pressure levels of max. 530 bar.

The standard material is polyamide (PA) which is resistant to virtually all solvents. Hoses made of PTFE or FEP are recommended for aggressive fluids such as isocyanate-based hardeners. The wetted parts of hose fittings are always made of stainless steel. The 60° cone and union nut provide the seal.

Hoses are available by the meter and suitable fittings are available separately for on-site installations. Low-pressure hoses can be provided by the meter.

High-pressure material hoses of the desired dimension can be ordered using the hose configurator in our online shop.

1. For all fluids

Product hoses made of polyamide or PTFE, suitable for all fluids.

2. Optimum handling

AirCoat double hose with protective hose for optimum handling.

3. With stainless-steel hose fittings

Hose fitting basically made of stainless steel, suitable for all lacquers, solvents, and hardeners.

4. High flexibility

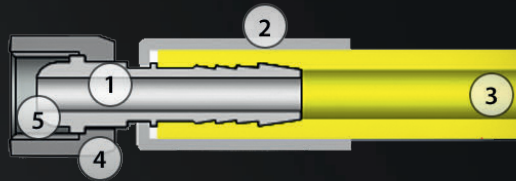
Textile hose reinforcement for good flexibility.



High-pressure material hoses

High-pressure product hoses with polyamide or a PTFE inner tube have textile reinforcement up to a rated pressure up to 270 bar and are extremely flexible. The stainless steel fittings are attached using a pressure sleeve. Alternatively, hose lines for manual applications with a fixed length or hose per meter are available for pressing on site.

1. Hose fitting
2. Press sleeve
3. Product hose
4. Union nut
5. 60° cone



All high-pressure connections on Wagner systems use BSP threads. Only the product hoses directly on the manual guns have an NPS thread. This is to prevent the air and product hoses on AirCoat guns from being mixed up. All low-pressure connections (< 40 bar) are generally fitted with BSP threads.

Which hose is needed?

Hoses can be individually put together in the hose configurator depending on the following parameters:

- Hose length and diameter
- Type of fitting
- Hose material
- Usable pressure range

The hoses can be supplied at short notice and offer good value for money.

HP material hoses

Polyamide, up to 270 bar

Hand-held hose for manual guns with NPS connection thread. Inner hose made of polyamide (PA) with textile reinforcement and outer sheath made of polyurethane (PUR). Stainless-steel hose fittings with 60° universal cone. Maximum product temperature 60°C.



Description	Connection	Inside Ø	Hose length	Nom. pressure	Art. No.
		mm	m	bar	
HP-Hose-DN3-PN270-¼"NPS-1,0m-PA	NPS 1/4"	3.2	1	270	2308542
HP-Hose-DN3-PN270-¼"NPS-7,5m-PA	NPS 1/4"	3.2	7.5	270	9984583
HP-Hose-DN3-PN270-¼"NPS-10,0m-PA	NPS 1/4"	3.2	10	270	2301052
HP-hose-DN3-PN270-1/4"NPSM-3,0m-PA	NPS 1/4"	3.2	3	270	2323142
HP-Hose-DN4-PN270-¼"NPS-1,0m-PA	NPS 1/4"	4.8	1	270	2308543
HP-Hose-DN4-PN270-¼"NPS-7,5m-PA	NPS 1/4"	4.8	7.5	270	9984573
HP-Hose-DN4-PN270-¼"NPS-10,0m-PA	NPS 1/4"	4.8	10	270	2302374
HP-Hose-DN4-PN270-¼"NPS-10,0m-PA				270	9984573-10
HP-Hose-DN4-PN270-¼"NPS-15,0m-PA	NPS 1/4"	4.8	15	270	9984573-15
HP-Hose-DN4-PN270-¼"NPS-20,0m-PA	NPS 1/4"	4.8	20	270	9984573-20
HP-Hose-DN6-PN270-¼"NPS-1,0m-PA	NPS 1/4"	6.3	1	270	2308544
HP-Hose-DN6-PN270-¼"NPS-2,5m-PA	NPS 1/4"	6.3	2.5	270	2308545
HP-Hose-DN6-PN270-¼"NPS-5,0m-PA	NPS 1/4"	6.3	5	270	9984465
HP-Hose-DN6-PN270-¼"NPS-10,0m-PA	NPS 1/4"	6.3	10	270	9984418
HP-hose-DN6-PN270-1/4"NPSM-15m-PA	NPS 1/4"	6.3	15	270	9984574
HP-hose-DN6-PN270-1/4"NPSM-30m-PA	NPS 1/4"	6.3	30	270	9984575
HP-Hose-DN10-PN230-3/8"NPS-2,5m-PA	NPS 3/8"	9.6	2.5	230	9984567
HP-hose-DN10-PN230-3/8"NPSM-15m	NPS 3/8"	9.6	15	230	9984506
HP-hose-DN13-PN230-1/2"NPSM-15m-PA	NPS 1/2"	12.7	15	230	9984568

HP material hoses

PTFE, 250 bar



Hose inner tube made of PTFE with textile reinforcement and outer sheath made of polyurethane (PUR); hose fittings made of stainless steel with 60° universal cone. Maximum product temperature 60°C. Use as hose whip.

Description	Connection	Inside Ø	Hose length	Nom. pressure	Art. No.
HP-hose-DN5-PN250-1/4"NPSM-1.0m-PTFE	NPS 1/4"	4.8	1	250	9984458

AirCoat hose pack

270 bar



AirCoat hose packages for use with e.g. GM 4100AC, GM 4700AC. The AirCoat double hoses comprise a standard WAGNER HP product hose with PA inner tube, diameter DN3 or DN4 and an air hose DN6 with 1/4" fitting. The two hoses are routed in a robust and flexible protective hose made of PA fiber.

Description	Connection	Inside Ø	Hose length	Art. No.
		mm	m	
AC-hose-DN3-PN270-1/4"NPS-3,0m-PA-T	NPS 1/4"	3.2	3	2322656
AC-Hose-DN3-PN270-1/4"NPS-7,5m-PA-T	NPS 1/4"	3.2	7.5	2309705
AC-Hose-DN3-PN270-1/4"NPS-10,0m-PA-T	NPS 1/4"	3.2	10	9984596
AC-Hose-DN4-PN270-1/4"NPS-7,5m-PA-T	NPS 1/4"	4.8	7.5	2309706
AC-Hose-DN4-PN270-1/4"NPS-15,0m-PA-T	NPS 1/4"	4.8	15	2309634
AC-Hose-DN4-PN270-1/4"NPS-20,0m-PA-T	NPS 1/4"	4.8	20	2309635
AC-Hose-DN4-PN270-1/4"NPS-10,0m-PA-T	NPS 1/4"	4.8	10	2312801
AC-hose-DN4-PN270-1/4"NPS-7,5m-PA	NPS 1/4"	4.8	7.5	2309155
Hose-4/11.1mm-PN250-HV-G1/4-1.3m-FEP	NPS 1/4"	2.4	1.3	2359881
Hose-4/11.1mm-PN250-HV-G1/4-1.5m-FEP	NPS 1/4"	2.4	1.5	2366737
Hose-4/11.1mm-PN250-HV-G1/4-6.0m-FEP	NPS 1/4"	2.4	6	2366738
Hose-4/11.1mm-PN250-HV-G1/4-8.0m-FEP	NPS 1/4"	2.4	8	2366740

Protection hose

Per meter

Protection hoses for AirCoat or AquaCoat product hoses made of polyamide, available by the meter.



Description	Material	Width	Art. No.
		mm	
Protection-hose- textile	Polyamide	30	3676437
Protective sleeving	Polyamide	50	9982016

HP material hoses

Polyamide, up to 530 bar



Hand-held hose with Protective Coating with NPS external thread. High pressure product hoses with a robust PUR outer coating and a chemical resistant PA inner tube. Hose fittings with 60° cone made from stainless steel. Ferrule and union nuts are zinc-plated carbon steel. Maximum product temperature 60°C.

Description	Connection	Inside Ø	Hose length	Nom. pressure	Art. No.
		mm	m	bar	
HP-Hose-DN6-PN530-¼"NPS-1,5m-PA	NPS 1/4"	6.3	1.5	530	9987117
HP-Hose-DN6-PN530-¼"NPS-10,0m-PA	NPS 1/4"	6.3	10	530	9984421
HP-Hose-DN10-PN530-3/8"NPS-10,0m-PA	NPS 3/8"	9.6	10	530	2308546
HP-Hose-DN10-PN530-3/8"NPS-15,0m-PA	NPS 3/8"	9.6	15	530	9987118

High-pressure hose configurators

Freely configurable



High-pressure hose configurators for free choice of hose diameter, nominal pressure, fitting, and length. The hoses can be put together in the online shop.

PA hoses are for universal use. FEP hoses are used for particularly aggressive products and hardeners.

Description	Material	Art. No.
HPP-Hose_FEP_VC	FEP	2327705
HP-Material-Hose PA (VC)	PA	2319867
HPP-Hose_PA_VC	PA	2327703
HP-Hose_FEP_VC	FEP	2325729

Selection of hose lengths in meters:

2319867 HP-Material-Hose Polyamid PA VC							
Typ	G ¼"	¼" NPS	G 3/8"	3/8" NPS	M 16x1,5	G ½"	½" NPS
350 bar DN 4	x	x			x		
325 bar DN 6	x	x			x		
250 bar DN 10			x	x	x		

2327703 HPP - Material-Hose PA VC							
Typ	G ¼"	¼" NPS	G 3/8"	3/8" NPS	M 16x1,5	G ½"	½" NPS
600 bar DN 6	x	x			x		
510 bar DN 10			x	x	x		
430 bar DN 12						x	x

2325729 HP-Material-Hose FEP VC such as PTFE							
Typ	G ¼"	¼" NPS	G 3/8"	3/8" NPS	M 16x1,5	G ½"	½" NPS
350 bar DN 4	x	x			x		
325 bar DN 6	x	x			x		
250 bar DN 10			x	x			

2327705 HPP-Material-Hose FEP VC such as PTFE							
Typ	G ¼"	¼" NPS	G 3/8"	3/8" NPS	M 16x1,5	G ½"	½" NPS
600 bar DN 6	x	x			x		
510 bar DN 10			x	x	x		
430 bar DN 12						x	x

High-pressure material hoses & fittings

Per meter for finishing applications

High-pressure product hoses for finishing applications for on-site completion, standard WAGNER HP product hose with PA or PTFE inner tube, diameter DN4, DN6 or DN10 can be ordered by the meter.



Description	Inside Ø	Material	Nom. pressure	Art. No.
	mm		bar	
HP-hose DN4-PN350-PA	4	PA	350	2312368
High pressure hose DN4-PN350- PTFE	4	PTFE	350	2325125
HP hose DN6-PN325-PA	6	PA	325	2312369
High pressure hose DN10-PN250-FPE	10	PTFE	325	2325127
HP hose DN10-PN250-PA	10	PA	250	2312370
High pressure hose DN6-PN325-FPE	6	PTFE	250	2325126
Pressure nipple DN 4 G 1/4	4	Stainless steel		2312385
Pressure nipple DN 4 NPS 1/4	4	Stainless steel		2312387
Pressure nipple DN 6 G 1/4	6	Stainless steel		2312386
Pressure nipple DN 6 NPS 1/4	6	Stainless steel		2312388
Pressure nipple DN 10 G 3/8	10	Stainless steel		2312382
Pressure nipple DN 10 NPS 3/8	10	Stainless steel		2312383
Pressure bush		CS		2312375
Pressure bush HD		CS		2312378
Pressure bush HD		CS		2312376

Potential hose, press sleeve, and fitting combinations:

Cable Type by meter Mat. No.				Pressure hose fitting carbon steel zink plated	Fitting stainless steel with capnut carbon steel zink plated
Inside Ø	Material	max. pressure			
4.8 mm	PA PTEE	350 bar	2312375	G 1/4" = 2312385 M16x1,5 = 2312379 1/4" NPS = 2312387	
6.3 mm	PA FEP	330 bar 325 bar	2312376	G 1/4" = 2312386 M16x1,5 = 2312380 1/4" NPS = 2312388	
9.8 mm	PA PEP	250 bar	2312378	G 1/4" = 2312382 M16x1,5 = 2312383 1/4" NPS = 2312381	

High-pressure material hoses & fittings

Per meter for Protective Coating applications

High-pressure product hoses for Protective Coating applications for on-site completion, standard WAGNER HP product hose with PA or PTFE inner tube, diameter DN4, DN6 or DN10 can be ordered by the meter.



Description	Inside Ø mm	Material	Nom. pressure bar	Art. No.
HDD hose DN6-PN600-PA	6	PA	600	2327127
HDD hose DN10-PN530-PA	10	PA	325	2327128
HDD-hose DN12-PN430-PA	12	PA	250	2327129
High pressure hose DN6-PN600-FEP	6	PTFE	350	2327139
High pressure hose DN10-PN530-FEP	10	PTFE	325	2327140
High pressure hose DN12-PN430-FEP	12	PTFE	250	2327141
Pressure bush DN 6	15	Zinc-plated steel		2327144
Pressure bush DN 10	18.7	Zinc-plated steel		2327145
PRESS BUSH DN12	23.1	Zinc-plated steel		2327146
Press nipple DN12 NPS1/2		Zinc-plated steel		2327147
Press nipple DN12 G1/2		Zinc-plated steel		2327148
Pressure nipple DN 6 G 1/4	6	Stainless steel		2312386
Pressure nipple DN 6 NPS 1/4	6	Stainless steel		2312388
Pressure nipple DN 10 G 3/8	10	Stainless steel		2312382
Pressure nipple DN 10 NPS 3/8	10	Stainless steel		2312383

Material hoses & fittings

Material hoses

Low-pressure material hoses

20 bar max.



Low-pressure material hoses are suitable for pressure up to 40 bar. Several exceptions allow pressures up to 40 bar in material circulation systems equipped with supply pumps such as Unica 4-270 or the LP-IceBreaker piston pumps with ratio up to 5:1. Normally those hoses can be configured on site by use of additional hose fittings and clamps. WAGNER only offers high quality fittings with wetted material completely in stainless steel!

Polyamide hoses are suitable universally while PTFE hoses are used with high reactive material. PFA and FEP are copolymers out of the PTFE family. PFA has a higher tensile strength even at higher temperatures than PTFE while FEP is far more flexible but not suitable under extreme temperatures.

For electrostatic applications with waterborne paints special hoses are requested due to their electrical behaviour.

Description	Material	Inside Ø	Ø outside	Max. material temperature	Nom. pressure	Art. No.
		mm	mm	°C	bar	
LP-Hose-4/6mm-PE-nature	PE	4	4	60	20	9982048
Hose PEN 6/4 white	PA	4	6	80	15	3202601
Hose PFA 6/4 15 bar transparent	PFA	4	6	260	15	3203401
LP-Hose PTFE 6/4 15bar	PTFE	4	6	260	15	3202592
LP-Hose-6/8mm-FEP-white	FEP	6	8	160	15	3209856
Hose PEN 8/5,5 white	PA	6	8	80	15	3202600
Hose PFA 8/6 15bar transparent	PFA	6	8	260	15	3203299
LP-Hose-6/8mm-PTFE-white	PTFE	6	8	260	15	3202593
Hose PEN 10/7 white	PA	8	10	80	15	3112749
Hose PFA 10/8 15bar transparent	PFA	8	10	260	15	3203298
LP-Hose-8/10mm-PTFE-white	PTFE	8	10	260	15	3202594
LP-Hose-8/12mm-PN8-FEP	FEP	8	12	160	8	2314595
LP-Hose-9/16mm-EPDM-green	EPDM	9	16	80	20	3204603
plastic hose	FEP	10	12	160	15	3207352
Hose PEN 12/8,5 white	PA	10	12	80	15	3202603
LP-Hose-10/12mm-PTFE-white	PTFE	10	12	260	15	3202595
LP-Hose-DN10-PN15-PA/PU black	PA	10	15	80	25	3206761








Low-pressure hose sets

20 bar max.



Hose set for Airspray applications with product and air hose, can be used for ZIP spraypack and manual gun SP5.

Description	Thread 1	Air connections, threads	Max. operating pressure bar	Art. No.
Double Hose LP D6x8 mt7,5 1/4"	G 1/4"	G 1/4"	20	S419.00G
Twin hose 6x8 mm; 7.5m	G 1/4"	G 1/4"	20	S419.00GP
Double Hose LP D6x8 mt7,5 1/4"	G 1/4"	G 1/4"	20	S419.00GI
Twin hose 6x8 mm; 7.5m; SSt connect.	G 1/4"	G 1/4"	20	S419.00GPI
LP hose package DN8 10m	G 3/8"	G 1/4"	26	2326180
LP hose pack DN 6 7.5 m	G 3/8"	G 1/4"	20	3677249
LP hose pack DN 9, 7, 5 m	G 3/8"	G 1/4"	20	3677250
LP hose pack DN6, 10 m to spray gun	G 3/8"	G 1/4"	20	3677251
LP hose pack DN9, 10 m to spray gun	G 3/8"	G 1/4"	20	3677252
LP hose pack DN 6 15 m	G 3/8"	G 1/4"	20	3677253
LP hose pack DN 9 15 m	G 3/8"	G 1/4"	20	3677254

						
S419.00G	S419.00GP	S419.00GI	S419.00GPI	2326180	3677249	3677250
Double Hose LP D6x8 mt7,5 1/4"	Twin hose 6x8 mm; 7.5m	Double Hose LP D6x8 mt7,5 1/4"	Twin hose 6x8 mm; 7.5m; SSt connect.	LP hose package DN8 10m	LP hose pack DN 6 7.5 m	LP hose pack DN 9, 7, 5 m

Electrostatic hose sets

Low-pressure, Airspray



Hose set for GM 5000 EA for product pressure of up to 8 bar and high lacquer resistance ($>150\text{ k}\Omega$). It includes a product hose, air hose, and gun cable; available in various lengths.

Description	Thread 1	Air connections, threads	Resistance of paint	Max. operating pressure		Art. No.
				bar		
Hose package GM 5000EA (7.5m)	G 1/4"	G 1/4"	$> 150\text{ k}\Omega$	8		2339167
Hose package GM 5000EA (10m)	G 1/4"	G 1/4"	$> 150\text{ k}\Omega$	8		2339168
Hose package GM 5000EA (15m)	G 1/4"	G 1/4"	$> 150\text{ k}\Omega$	8		2339169
Hose package GM 5000 EA (20m)	G 1/4"	G 1/4"	$> 150\text{ k}\Omega$	8		2339170
Hose package GM 5000EA USA (7.5m)	NPS 3/8"	NPS 1/4"	$> 150\text{ k}\Omega$	8		2356991
Hose package GM 5000EA USA (10m)	NPS 3/8"	NPS 1/4"	$> 150\text{ k}\Omega$	8		2356992
Hose package GM 5000EA USA (15m)	NPS 3/8"	NPS 1/4"	$> 150\text{ k}\Omega$	8		2356993
Hose package GM 5000EA USA (20m)	NPS 3/8"	NPS 1/4"	$> 150\text{ k}\Omega$	8		2356994

LowR electrostatic hose sets

Low-pressure, Airspray



Hose set for GM 5000 EA for product pressure of up to 8 bar and low lacquer resistance (>50 kΩ). It includes a product hose, air hose, and gun cable; available in various lengths.

Description	Thread 1	Air connections, threads	LowR resistance of paint	Max. operating pressure	Art. No.
				bar	
Hose package GM 5000EA (7,5m), Low R	G 1/4"	G 1/4"	> 50 kΩ	8	2339175
Hose package GM 5000EA (10m), Low R	G 1/4"	G 1/4"	> 50 kΩ	8	2339176
Hose package GM 5000EA (15m), Low R	G 1/4"	G 1/4"	> 50 kΩ	8	2339177
Hose package GM 5000EA (20m), Low R	G 1/4"	G 1/4"	> 50 kΩ	8	2339178

Electrostatic hose sets

High-pressure, AirCoat



Hose set for GM 5000 EAC for product pressure of up to 250 bar and high lacquer resistance ($>150\text{ k}\Omega$). It includes a product hose, air hose, and gun cable; available in various lengths.

Description	Thread 1	Air connections, threads	Resistance of paint	Max. operating pressure	Art. No.
Hose package GM 5000 EAC (7,5m)	NPS 1/4"	G 1/4"	$> 150\text{ k}\Omega$	250 bar	2339171
Hose package GM 5000 EAC (10m)	NPS 1/4"	G 1/4"	$> 150\text{ k}\Omega$	250	2339172
Hose package GM 5000EAC (15m)	NPS 1/4"	G 1/4"	$> 150\text{ k}\Omega$	250	2339173
hose package GM 5000EAC (20m)	NPS 1/4"	G 1/4"	$> 150\text{ k}\Omega$	250	2339174

LowR electrostatic hose sets

High-pressure, AirCoat



Hose set for GM 5000 EAC for product pressure of up to 250 bar and low lacquer resistance ($>50 \text{ k}\Omega$). It includes a product hose, air hose, and gun cable; available in various lengths.

Description	Thread 1	Air connections, threads	LowR resistance of paint	Max. operating pressure bar	Art. No.
Hose package GM 5000EAC (7,5m), LowR	NPS 1/4"	G 1/4"	$> 50 \text{ k}\Omega$	250	2339179
Hose package GM 5000EAC (10m), Low R	NPS 1/4"	G 1/4"	$> 50 \text{ k}\Omega$	250	2339180
Hose package GM 5000EAC (15m), Low R	NPS 1/4"	G 1/4"	$> 50 \text{ k}\Omega$	250	2339181
Hose package GM 5000EAC (20m), LowR	NPS 1/4"	G 1/4"	$> 50 \text{ k}\Omega$	250	2339182

Electrostatic hose sets AquaCoat

Low-pressure, Airspray

Hose set for GM 5000 EAW for product pressure of up to 8 bar and water-based products with a lacquer resistance of 1 kΩ.cm to 1 MΩ.cm. It includes a product hose, air hose, and gun cable; available in various lengths.



Description	Thread 1	Air connections, threads	Resistance of paint	Max. operating pressure bar	Art. No.
Hose package GM 5000EAW (7.5m)	M 16x1.5	G 1/4"	1 - 1000 kΩ.cm	8	2339183
Hose package GM 5000EAW (10m)	M 16x1.5	G 1/4"	1 - 1000 kΩ.cm	8	2339184
Hose package GM 5000EAW (15m)	M 16x1.5	G 1/4"	1 - 1000 kΩ.cm	8	2339185
Hose package GM 5000EAW (20m)	M 16x1.5	G 1/4"	1 - 1000 kΩ.cm	8	2339186
Hose package d3 GM 5020EAW (7.5m)	M 16x1.5	G 1/4"	1 - 1000 kΩ.cm	8	2363105
Hose package d3 GM 5020EAW (10m)	M 16x1.5	G 1/4"	1 - 1000 kΩ.cm	8	2363106
Hose package d3 GM 5020EAW (15m)	M 16x1.5	G 1/4"	1 - 1000 kΩ.cm	8	2363107
Hose package d3 GM 5020EAW (20m)	M 16x1.5	G 1/4"	1 - 1000 kΩ.cm	8	2363108

Electrostatic hose sets AquaCoat

High-pressure, AirCoat



Hose set for GM 5000 EACW for product pressure of up to 250 bar and water-based products with a lacquer resistance of 1 k Ω .cm to 1 M Ω .cm. It includes a product hose, air hose, and gun cable; available in various lengths.

Description	Thread 1	Air connections, threads	Resistance of paint	Max. operating pressure	Art. No.
				bar	
Hose package GM 5000EACW (7.5m)	M 16x1.5	G 1/4"	1 - 1000 k Ω .cm	250	2339187
Hose package GM 5000EACW (10m)	M 16x1.5	G 1/4"	1 - 1000 k Ω .cm	250	2339188
Hose package GM 5000EACW (15m)	M 16x1.5	G 1/4"	1 - 1000 k Ω .cm	250	2339189
Hose package GM 5000EACW (20m)	M 16x1.5	G 1/4"	1 - 1000 k Ω .cm	250	2339190

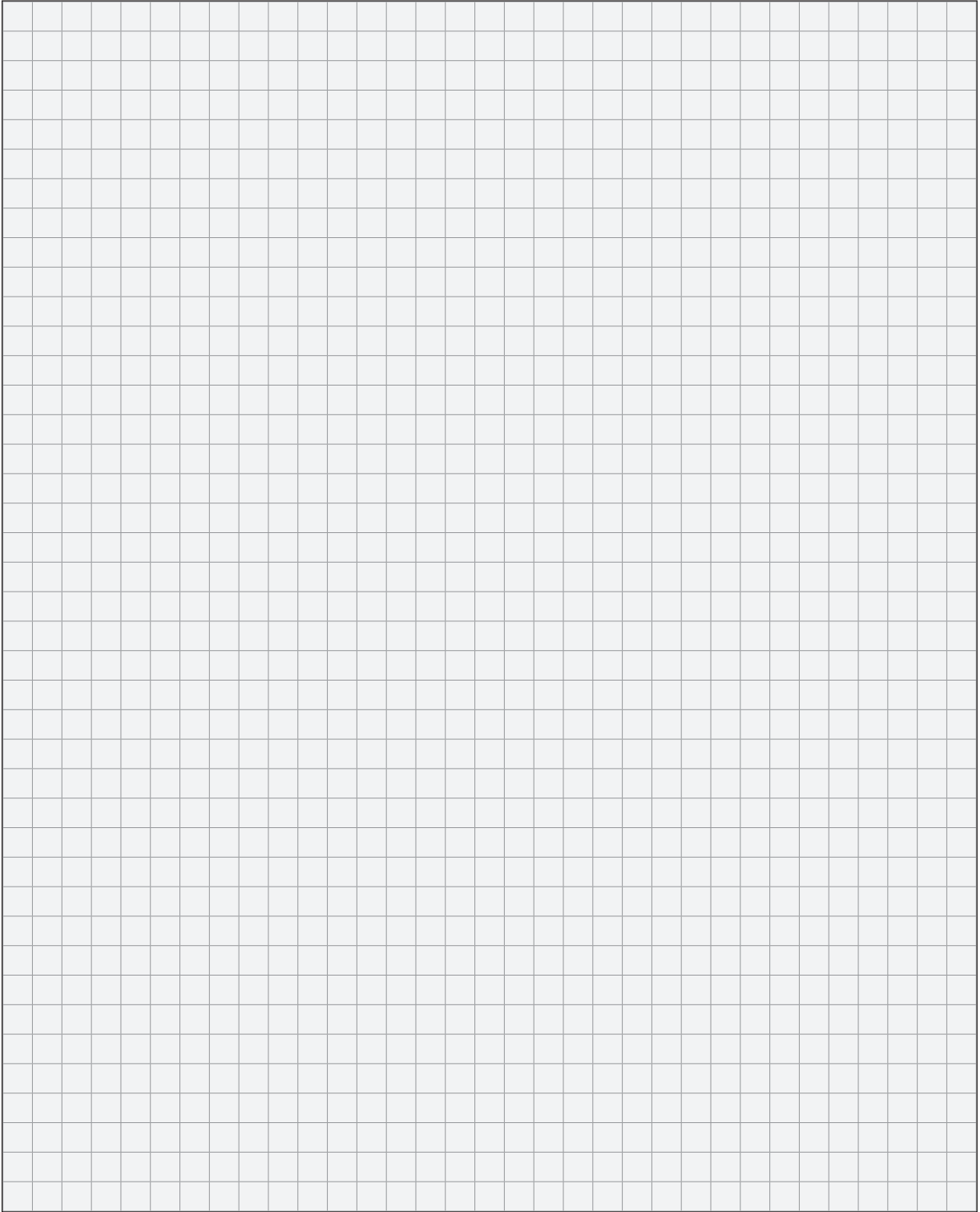
Gun cable

For GM 5000 guns



Gun cables are available in various lengths for supplying voltage to the GM 5000 guns.

Description	Length	Art. No.
	mm	
Gun cable GM 5000E 7.5m	7.5	2339156
Gun cable GM 5000E 10m	10	2339157
Gun cable GM 5000E 15m	15	2339158
Gun cable GM 5000E 20m	20	2339159
Gun cable GM 5000E 25m	25	2339160
Gun cable GM 5000E 32m	32	2344995
Gun cable GM 5000E 62m	64	2344996
Extension cable GM 5000E 10m	10	2339161
Extension cable GM 5000E 20m	20	2339162



Material fittings

Material connections of WAGNER equipment are based on 2 standards: High-pressure (> 40 bar): American NPS (National Pipe Standard) and low-pressure (< 40 bar): British BSP (British Standard Pipe). This is valid for all male outlet or inlet connections at devices such as regulators, filters, manifolds, manometers, ... while the female thread into the body of the device normally follows the BSP standard. All WAGNER accessories follow this rules in order to fit with each component without any limitation. For older installations with metric M16x1,5 or BSP connections necessary adaptors are offered. The sketch below makes this rule more transparent:

1. Versatile for any type of application

Various threads and sealing surfaces for flexible adaptation.

2. Durable

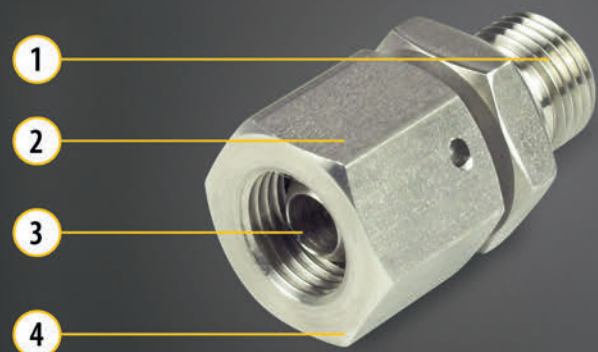
Wetted parts made entirely from stainless steel for zero-compromise storage life.

3. Safe sealing without dead spaces

60° universal cone for safe sealing without dead spaces.

4. Makes convenient assembly possible

Angle-accurate adjustment for convenient assembly.



Thread types

Metric threads: used at Wagner in all suction systems and were standard in older systems.

BSP: (British Pipe Standard) Inch thread according to British standard.

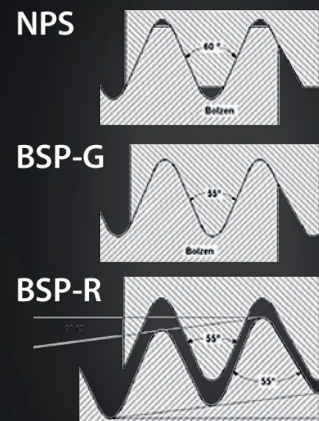
Cylindrical form: abbreviation: BSP-G

Conical form: abbreviation: BSP-R

NPS: (National Standard Pipe) American inch thread

Caution: NPS and BSP differ only slightly in thread angle and incline.

Extreme caution is required!



Sealing methods

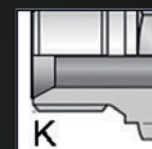
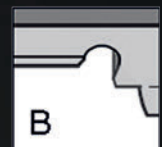
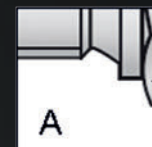
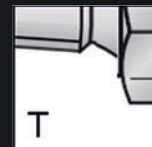
Basically, three sealing methods are available:

A: Sealing surface according to DIN 3852; Form A requires an additional flat seal made of CU or Al. The screw connection is not adjustable.

B: Sealing edge according to DIN3852; Form B requires no additional seal. Cannot be detached any number of times and cannot be adjusted.

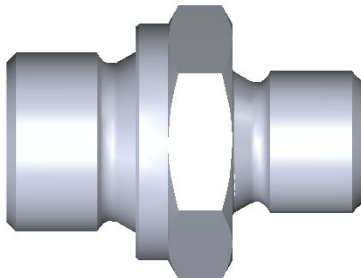
T: Conical thread. Must be glued for secure sealing and is adjustable.

K: The sealing is implemented using the 60° cone and a sealing cone. Usual for all hose screw connections. Special form: 24° cutting ring screw connection for pipes.



High-pressure double fittings

Different threads



Stainless steel fittings for high pressure applications. Different sealing types selectable – e.g. flat gasket, sealing edge or 60°-cone. Or adjustable tapered threads which additionally have to be glued.

Description	Thread 1	Seal	Cone	Thread 2	Seal	Cone	Nom. pressure	Art. No.
							bar	
Fitting-DF-MM-G1/8"-G1/4"-PN530-SSt	G 1/8"-M	Form A	60°	G 1/4"-M	Form A	60°	530	3206710
Fitting-DF-MM-G1/8"-M16x1,5-PN530	G 1/8"-M	Form A	-	M 16x1.5-M	-	60°	530	97548
Fitting-DF-MM-G1/4-G1/4-530bar-SSt	G 1/4"-M	Form B	60°	G 1/4"-M	Form B	60°	530	3204611
Fitting-DF-MM-R1/4-G1/4-530bar-SSt	R 1/4"-M	Form T	-	G 1/4"-M	-	60°	530	M801.03B
Fitting-RF-MM-G1/4-M16x1.5-250bar-SSt	G 1/4"-M	Form A	-	M 16x1.5-M	-	60°	250	9998860
Connecting nipple packed	G 1/4"-M	-	-	M 12x1-M	-	-	270	2330262
Fitting-DF-MM-1/4"NPT-1/4"NPS-PN530-SSt	NPT 1/4"-M	Form T	-	NPS 1/4"-M	-	60°	530	3505045
Connector	NPS 1/4"-M	-	60°	NPS 1/4"-M	-	60°	530	367560
Fitting-DF-MM-R3/8-1/4NPSM-530bar-SSt	R 3/8"-M	Form T	60°	NPS 1/4"-M	-	60°	530	M8022.03
Fitting-DF-MM-G3/8"-G1/4"-PN530-SSt	G 3/8"-M	-	60°	G 1/4"-M	-	60°	530	M803.03
Fitting-DF-MM-G3/8"-G3/8"-PN530-SSt	G 3/8"-M	Form A	60°	G 3/8"-M	Form A	60°	530	3206676
Fitting-DF-MM-G3/8"-M16x1,5-PN530-SSt	G 3/8"-M	Form A	60°	M 16x1.5-M	-	60°	530	367923
Fitting-DF-MM-G3/8"-3/8"NPS-PN530-SSt	G 3/8"-M	Form A	60°	NPS 3/8"-M	-	60°	530	367556
Fitting-DF-MM-G3/8"-1/4"NPS-PN530-SSt	G 3/8"-M	Form A	60°	NPS 1/4"-M	-	60°	530	367555
Fitting-DF-MM-G3/8"-1/2"NPS-PN530-SSt	G 3/8"-M	Form A	60°	NPS 1/2"-M	-	60°	530	367554
Fitting-DF-MM-G3/8"-M16x1.5-PN530-SSt	G 3/8"-M	Form A	60°	M 16x1.5-M	-	60°	530	367913
Fitting-DF-MM-G3/8"-M20x2-PN530-SSt	G 3/8"-M	Form A	60°	M 20x2-M	-	60°	530	367962
Fitting-RF-MM-M16x1,5-R3/8"-SSt	R 3/8"-M	-	90°	M 16x1.5-M	-	60°		104527
Fitting-DF-MM-G3/8-G3/8-530bar-SSt	R 3/8"-M	Form T	60°	G 3/8"-M	-	60°	530	3676419
Fitting-DF-MM-R3/8"-R3/8"-SSt	R 3/8"-M	Form T	-	R 3/8"-M	Form T	60°	530	3201607
Fitting-DF-MM-3/8"NPS-3/8"NPS-PN530-SSt	NPS 3/8"-M	-	60°	NPS 3/8"-M	-	60°	530	256343
Fitting-DF-MM-1/4NPSM-3/8NPSM-530bar-SSt	NPS 3/8"-M	-	60°	NPS 1/4"-M	-	60°	530	367561
Fitting-DF-MM-G1/2"-G1/4"-PN530-SSt	G 1/2"-M	Form A	60°	G 1/4"-M	-	60°	530	3204623
Fitting-DF-MM-G1/2"-G3/8"-PN530-SSt	G 1/2"-M	Form A	60°	G 3/8"-M	-	60°	530	3203026

Description	Thread 1	Seal	Cone	Thread 2	Seal	Cone	Nom. pressure	Art. No.
							bar	
Fitting-DF-MM-G1/2"-G1/2"-PN530-SSSt	G 1/2"-M	Form A	60°	G 1/2"-M	-	60°	530	3676778
Hexagon nipple	R 1/2"-M	Form T	-	R 1/2"-M	Form T	60°	350	3201040
Fitting-DF-MM-G3/4"-G3/4"-PN530-SSSt	G 3/4"-M	-	60°	G 1/2"-M	-	60°	530	3207692
Fitting-DF-MM-G1/2"-G3/4"-530bar-SSSt	G 3/4"-M	Form B	60°	G 1/2"-M	Form A	60°	530	370915
Fitting-DF-MM-G3/8"-M16x1,5-SSSt	G 3/4"-M	Form A	60°	M 16x1.5-M	-	60°		369913
Fitting-DF-MM-G3/4"-G1/4"-PN530-SSSt	G 3/4"-M	Form A	60°	G 1/4"-M	-	60°	530	3206429
Fitting-DF-MM-3/8NPSM-G3/4"-530bar-SSSt	G 3/4"-M	Form A	60°	NPS 3/8"-M	-	60°	530	369657
Fitting-DF-MM-G3/4"-G1/2"-PN530-SSSt	G 3/4"-M	Form B	60°	G 1/2"-M	Form B	60°	530	3677079
Fitting-DF-MM-G 3/4"-M 20x1,5-PN530-SS	G 3/4"-M	Form B	60°	G 3/4"-M	Form B	60°	530	3676773
Fitting-DF-MM-G1/2"-G3/4"-PN350-SSSt	R 3/4"-M	Form T	-	R 1/2"-M	Form T	60°	350	3201471
Fitting-DF-MM-R3/4"-R3/4"-PN350-SSSt	R 3/4"-M	Form T	-	R 3/4"-M	Form T	-	50	3201102
Fitting-DF-MM-3/4NPSM-3/4NPSM-530bar-SSSt	NPS 3/4"-M	-	60°	NPS 3/4"-M	-	60°	250	9985781
Fitting-DF-MM-3/4NPSM-1/2NPSM-530bar-SSSt	NPS 3/4"-M	-	60°	NPS 1/2"-M	-	60°	270	9985782
Fitting-DF-MM-3/4NPSM-3/8NPSM-530bar-SSSt	NPS 3/4"-M	-	60°	NPS 3/8"-M	-	60°	270	9985783
Fitting-DF-MM-G3/4" - 3/4" NPS-PN530-SSSt	G 3/4"-M	Form A	60°	NPS 3/4"-M	-	60°		369656
Fitting-DF-MM-R1"-R1"-PN350-SSSt	R 3/4"-M	Form T	-	R 3/4"-M	Form T	-	50	3201325
Fitting-DF-MM-G1"-G1"-PN530-SSSt	G 1"-M	Form B	60°	G 1"-M	Form B	60°	530	3678387
Fitting-DF-MM-M16x1,5-1/4"NPS-PN530-SSSt	M 16x1.5-M	Form A	60°	NPS 1/4"-M	-	60°	270	105313
Fitting-DF-MM-M16x1,5-3/8"NPS-PN530-SSSt	M 16x1.5-M	-	60°	NPS 3/8"-M	-	60°	530	256320
Fitting-DF-MM-M16x1,5-M16x1,5-PN530-SSSt	M 16x1.5-M	Form B	-	M 16x1.5-M	-	60°	270	97529
Fitting-DF-MM-M16x1,5-M16x1,5-PN530-SSSt	M 16x1.5-M	Form A	-	M 16x1.5-M	-	60°	530	341350
Nipple 40-ks	M 16x1.5-M	Form A	60°	M 16x1.5-M	Ermeto	24°	530	123510
Fitting-DF-MM-M16x1,5-M16x1,5-PN530-SSSt	M 16x1.5-M	Form A	60°	M 16x1.5-M	-	60°	530	123446
DF-MM-M16x1,5-M18x1,5-PN530-SSSt	M 16x1.5-M	Form A	60°	M 18x1.5-M	Ermeto	24°	270	104618
Fitting-DF-MM-M16x1,5-M16x1,5-PN530-SSSt	M 16x1.5-M	Form A	60°	M 16x1.5-M	-	60°	270	104475
DF-MM-M16x1,5-G1/2"-PN530-SSSt	M 16x1.5-M	Form A	60°	G 1/2"-M	-	60°	270	357436
Fitting-DF-MM-1/2"NPS-M16x1,5-PN500-SSSt	M 16x1.5-M	-	60°	NPS 1/2"-M	-	60°	500	3203016



Special double fittings

Different threads

Special fittings for direct mounting of HP-filters at the pump outlet.

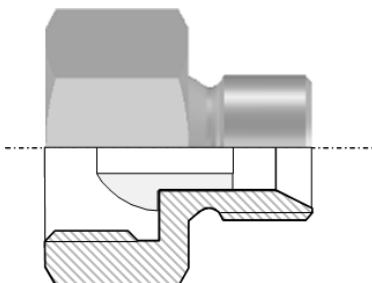


Description	Thread 1	Seal	Cone	Thread 2	Seal	Cone	Nom. pressure	Art. No.
							bar	
Fitting-DF-MM-G1/4-1/4NPSM-530bar-SSst	G 1/4"-M	Form B	60°	NPS 1/4"-M	Form A	60°	530	350550
Fitting DF-MM G1/4"- M16x1,5-530bar-SSst	G 1/4"-M	Form B	60°	M 16x1.5-M	Form A	60°	530	350499
Fitting-DF-MM-R1/4-1/4NPSM-350bar-SSst	R 1/4"-M	Form T	-	NPS 1/4"-M	-	-	350	B0461.03A
Fitting-DF-MM-R3/8"-1/4"NPS-PN350-SS	R 3/8"-M	Form T	-	NPS 1/4"-M	-	-	350	B0461.03
Fitting-DF-MM-M22x1.5-G3/8-530bar-SSst	M 22x1.5-M	-	24°	G 3/8"-M	-	60°	530	2332966

	
B0461.03	350499
Double fittings (B0461.03 and B0461.03A) with G1/4" BSP circulation connection for connecting to product output of HP Evomotion pump.	Double fittings (350499 and 350550) for GA4000AC and GA 250/400AL with sealing edge on the threaded journal for dead-space-free sealing.

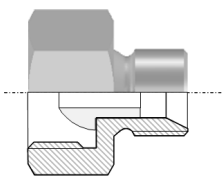

Reduction fittings

Different threads



Reduction fittings to match different thread sizes

Description	Thread 1	Seal	Cone	Thread 2	Seal	Cone	Nom. pressure	Art. No.
							bar	
Fitting-RF-FM-G3/8"-M16x1,5-PN250-SSt	G 3/8"-F	-	60°	M 16x1.5-M	-	60°	250	115378
Fitting-RF-FM-G1/4"-M16x1,5-PN270-SSt	G 1/4"-F	-	-	M 16x1.5-M	-	-	270	256321
Fitting-RF-FM-G1/4-1/4NPSM-530bar-SSt	G 1/4"-F	-	-	NPS 1/4"-M	-	-	530	2332619
Fitting-RF-FM-G1/4-G3/8-530bar-SSt	G 1/4"-F	-	60°	G 3/8"-M	-	60°	530	2353265
Fitting-RF-FM-G3/8"-M16x1,5-PN250-SSt	G 3/8"-F	-	-	M 16x1.5-M	-	-	250	115672
Fitting-RF-FM-G3/8-1/4NPSM-530bar-SSt	G 3/8"-F	-	60°	NPS 1/4"-M	-	60°	270	2332621
Fitting-RF-FM-G3/8-3/8NPSM-530bar-SSt	G 3/8"-F	-	-	NPS 3/8"-M	-	-	270	2332620
Fitting-RF-FM-G3/8"-3/8"NPS-PN530-SSt	G 3/8"-F	-	60°	NPS 3/8"-M	-	60°	530	2308541
Fitting-RF-FM-1/4"NPS-G1/4"-PN530-SSt	NPS 1/4"-F	-	60°	G 1/4"-M	-	60°	270	179247
Fitting-RF-FM-1/4NPSM-3/8NPSM-270bar-SSt	NPS 1/4"-F	-	60°	NPS 3/8"-M	-	60°	270	179732
Fitting-RF-FM 1/4"NPS- M16*1.5	NPS 1/4"-F	-	60°	M 16x1.5-M	-	60°	270	34041
Fitting-RF-FM-M16x1,5-1/4"NPS-PN530-SSt	M 16x1.5-F	-	60°	NPS 1/4"-M	-	60°	530	384555
Fitting-RF-FM-3/8"NPS-1/4"NPS-PN530-S	NPS 3/8"-F	-	60°	NPS 1/4"-M	-	60°	530	367562
Fitting-RF-FM-3/8"NPS-M16x1,5-PN530-SS	NPS 3/8"-F	-	60°	M 16x1.5-M	-	60°	530	367563
Fitting-RF-FM-M16x1,5-M20x2-PN270-SSt	M 16x1.5-F	-	60°	M 20x2-M	Ermeto	60°	270	118231
Fitting-RF-FM-M16x1,5-G3/8"-PN530-SSt	M 16x1.5-F	-	60°	G 3/8"-M	-	60°	530	377342
Fitting-RF-FM-M16x1,5-G1/2"-PN270-SSt	M 16x1.5-F	Form A	-	G 1/2"-M	Form A	-	270	115897
Fitting-RF-FM-M16x1,5-3/8"NPS-PN530-SSt	M 16x1.5-F	-	60°	NPS 3/8"-M	-	60°	530	384556
Fitting-RF-FM-M20x1,5-3/8"NPS-PN530-SS	M 20x1.5-F	Form A	-	NPS 3/8"-M	-	60°	530	367564
Fitting-RF-FM-1/2"JIC-1/4"NPS-PN270-SSt	JIC 1/2"-F	-	90°	NPS 1/4"-M	-	60°	270	2324417
Fitting-RF-FM-1/4NPSM-1/2JIC-530bar-SSt	NPS 1/4"-F	-	-	JIC 1/2"-M	-	-	270	2356945
Fitting-RF-FM-G1/2-1/2NPSM-530bar-SSt	G 1/2"-F	-	-	NPS 1/2"-M	-	-	530	2332622

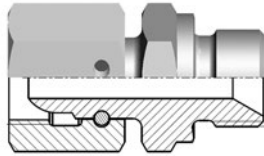
	
2324417	2356945
Fitting-RF-FM-1/2"JIC-1/4"NPS-PN270-SSt	Fitting-RF-FM-1/4NPSM-1/2JIC-530bar-SSt
The reduction fitting 2324417 is used to connect to Kremlin guns and pumps	To use Kremlin hose packages with Wagner guns and pumps

Material hoses & fittings

Material fittings

Adjustable fittings

Different threads



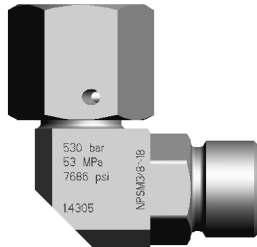
Adjustable stainless steel fittings for accurate positioning of equipment.

Description	Material	Thread 1	Cone	Thread 2	Seal	Cone	Nom. pressure	Art. No.
							bar	
Fitting-SF-FM-G3/8-G1/2-530bar-SSt	Stainless steel	G 1/2"	-	G 3/8"	-	-	530	2333058
Fitting-SF-FM-1/4"NPS-M16x1,5-PN530-SSt	Stainless steel	NPS 1/4"-F	60°	M 16x1.5-M	-	60°	530	344273
Fitting-SF-FM-3/8"NPS-M16x1,5-PN530-SS	Stainless steel	NPS 3/8"-F	60°	M 16x1.5-M	-	60°	530	367567
Fitting-SF-FF-M16x1,5-M16x1,5-PN530-SSt	Stainless steel	M 16x1.5-F	60°	M 16x1.5-F	-	60°	530	17262
Fitting-SF-FM-M16x1.5-G1/4"-PN530-SSt	Stainless steel	M 16x1.5-F	60°	G 1/4"-M	Form B	60°	530	384116
Fitting-SF-FM-M16x1.5-G3/8"-PN530-SSt	Stainless steel	M 16x1.5-F	60°	G 3/8"-M	Form B	60°	530	392270
Fitting-SF-FM-M16x1.5-M16x1,5-PN530-SSt	Stainless steel	M 16x1.5-F	60°	M 16x1.5-M	Form A	60°	530	117206
Fitting-SF-FM-M20x1,5-G3/8"-PN530-SSt	Stainless steel	M 20x1.5-F	24°	G 3/8"-M	Form B	-	530	9998680
Rotating connection G3/8 assy. packed	Stainless steel	M 24x1.5-M	60°	G 3/8"-M	Form B	60°	530	2329922

Elbow screw-in connection

Different threads

90° elbow screw-in connection made of stainless steel with adjustable thread.



Description	Thread 1	Seal	Cone	Thread 2	Seal	Cone	Nom. pressure	Art. No.
							bar	
Fitting-EF-MM-R1/4-1/4NPSM-530bar-SSSt	R 1/4"-M	Form T	60°	NPS 1/4"-M	-	60°	530	2314065
Elbow-90°-MM-R1/4"-G1/4"-PN350-SS	R 1/4"-F	Form T	60°	G 1/4"-F	-	60°	350	B0462.03
Fitting-EF-MF-1/4NPSM-1/4NPSM-530bar-SSSt	NPS 1/4"-M	-	60°	NPS 1/4"-F	-	60°	530	2307562
Elbow-90°MF-3/8"NPS-3/8"NPS-PN530-SSSt	NPS 3/8"-M	-	60°	NPS 3/8"-F	-	60°	530	2307608
Fitting-EF-MM-R1/4-G1/4-530bar-SSSt	G 1/4"-M	Form T	60°	R 1/4"	-	60°	530	2331202
Fitting-EF-MM-G3/8-R3/8-250bar-SSSt	R 3/8"-M	-	60°	G 3/8"-M	-	60°	530	3204619

Elbow screw-in connection with conical BSP-R thread permits angle-precise assembly and must be sealed with Loctite, for example.

Plugs

Different threads

Stainless steel plugs



Description	Thread 1	Nom. pressure	Art. No.
		bar	
Fitting-PF-M-G3/8"-530bar-SSt	G 3/8"-M	530	9907127
Fitting-PF-M-G1/4"-530bar-SSt	G 1/4"-M	530	9904310
Fitting-PF-M-R1/4"-PN530-SSt	R 1/4"-M	530	3202079
Fitting-PF-M-R1/2"-PN530-SSt	R 1/2"-M	530	3204332

Low-pressure double fittings

Different threads



Fittings for low-pressure applications with various threads.

Description	Thread 1	Seal	Cone	Thread 2	Cone	Max. operating pressure	Art. No.
						bar	
Fitting-IF-MM-G3/4"-G 1"-PN15-SSt	G 3/4"	Form A	60°	G 1"	-		M344.00
Fitting-IF-MM-G 1"-G1½"-PN15-SSt	G 1"	Form A	90°	G 1 1/2"	60°	15	368964

Material hoses & fittings

Material fittings

Low-pressure hose fitting

Different threads



Stainless steel low-pressure hose fittings for material hoses. „Ø inside“ refers to the inner diameter of the hose used.

Description	Inside Ø	Art. No.
	mm	
LP-Hose-fitting-DN6-G1/4"-SSt	6	3206594
LP-Hose-fitting-DN8-G3/8"-SSt	8	3206595
LP-Hose-Fitting-DN9-G3/8"-PN15-SSt	9	3204638
LP-Hose-Fitting-DN10-G3/8"-PN15-SSt	10	3206596

Low-pressure hose fitting

Clamping ring & kink protection



Clamping ring and anti-kink springs for low-pressure material hoses.
„Ø external“ refers to the outer diameter of the hose used.

Description	Ø outside	Art. No.
	mm	
LP-Hose-clamp-6/8mm	8	3206641
LP-Hose-clamp-Ø10	10	3206640
LP-Hose-clamp-D12mm	12	3206639
Bent-prot-spring-6/8mm	8	245372
Bent-prot-spring-8/10mm	10	261360
Bent-prot-spring-10/12mm	12	3206568

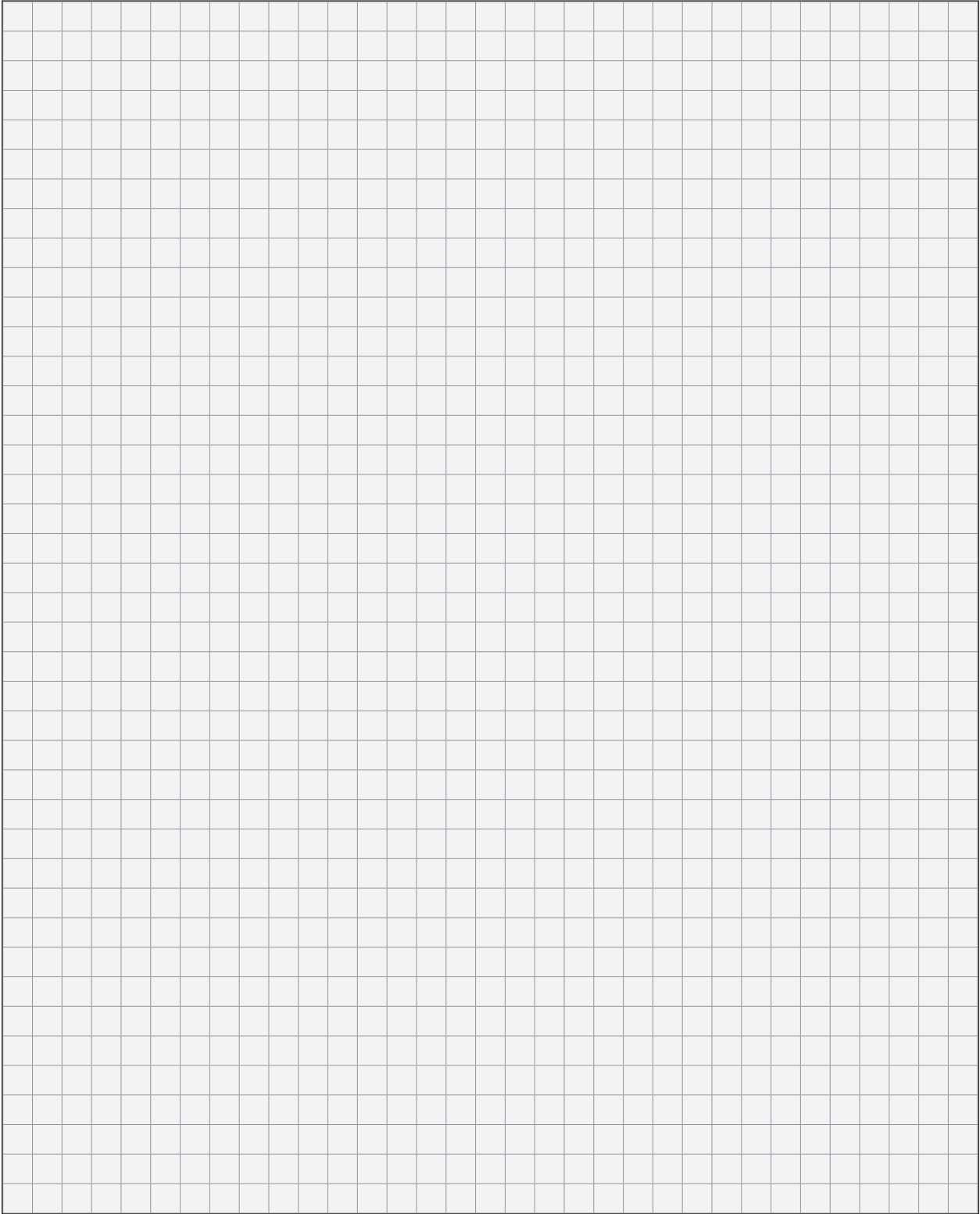
Flat gaskets

For fittings sealing type „Form A“

Flat metal gaskets (Cu or Al) for fittings with sealing type „Form A“



Description	Material	D	Thread 1	Inside Ø	Ø outside	Art. No.
		mm		mm	mm	
Sealing ring	Aluminum	1.5	G 3/8"	17	21	9974111
Sealing ring	Aluminum	1.5	G 3/8"	18	22	9974112
Sealing ring	Copper	2.5	G 3/8"	18	22	9925024
Sealing ring	Copper	2.5	G 3/4"	27	32	9970158



WAGNER

**Everything you need
for perfect atomization.**





Gun accessories



Gun flush box

172



Atomizing air heater

174



Nozzle extensions

176



Additional gun accessories

180

Gun cleaning

WAGNER gun flush boxes are the safety assurance for your spray-guns. Independently which guns is used – the gun flush box reliably cleans the system. Together with the WAGNER 2K systems, guns and hoses are flushed safely and fully automatic before pot life time is over.

1. Robust

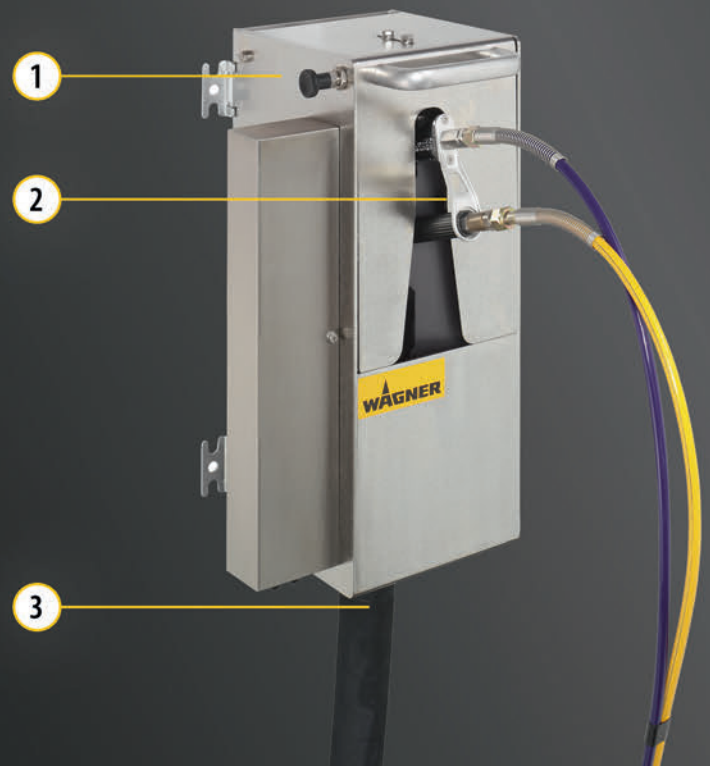
Stable closed construction with secure grip for guns.

2. Fully automatic flush process

Clean and easy to use, simply fit gun -> flush process starts automatically.

3. Regulated outflow

Safe disposal of remaining lacquer and solvent.



Gun flush box

For various guns



WAGNER gun flush boxes are the safety assurance for your spray guns. Regardless of which gun is used – the gun flush box reliably cleans the system. Together with the WAGNER 2K system guns and hoses are flushed safely and fully automatic before pot life time is over.

Description	Product description	Art. No.
GFB for GM 4600 AC	Gun flush box for the GM 4600/4700 AC guns.	377174
GFB for GM 4100 AC	Gun flush box for gun GM 4100AC.	2308814
Gun flush box assy. GM4600 round spray	Gun flush box for gun GM 4600 round jet. The gun flush box can be operated manually or controlled by the system control unit.	2317586
GFB for AG09, G08, G12, G15	Gun flush box for gun G15.	377165
GFB for AG14	Gun flush box for gun AG14.	377167
GFB for GM2000/2800	Gun flush box for gun GM 2000/GM 2800.	377161
Gun flush box (GM5000 EA/EAC) Round jet	Gun flush box for GM 5000EA / EAC round jet / EA flat jet	2327973
Retrofit PSV to Gm5000EA/EAC round jet	GFB conversion kit for GM 5000EA / EAC round jet / EA flat jet	2328626
Gun flush box (GM5000EAC) Flat Jet	Gun flush box for GM 5000EAC flat jet	2327965
Retrofit kit PSV to Gm5000EAC flat jet	GFB conversion kit for GM 5000EAC flat jet	2328624
GM 4700AC FLUSH BOX	Gun flush box for GM 4700AC	T6600.GM47
SP5 FLUSH BOX	Gun flush box for SP5	T6600.SP5
PSV kpl. Walther Pilot Premium special	Gun flush box for the Pilot Premium special	2319788
Gun flush box GFB GM 1	Gun Flush box für GM-1	2363442

Atomizing air heater

Assurance of consistently good atomizing conditions by heating the atomizing air. This means that less solvent is needed, drying times are shorter, and the surface quality is better. The results are usually comparable with nitrogen products, but the investment and ongoing costs are much lower.

1. Air heated up to the gun

High coating quality because the air is heated in the air hose up to the gun by a heating spiral.

2. Approved for use in explosive areas

Can be used in zone 2 environments.

3. Highly versatile

Can be used for both manual and automatic applications.

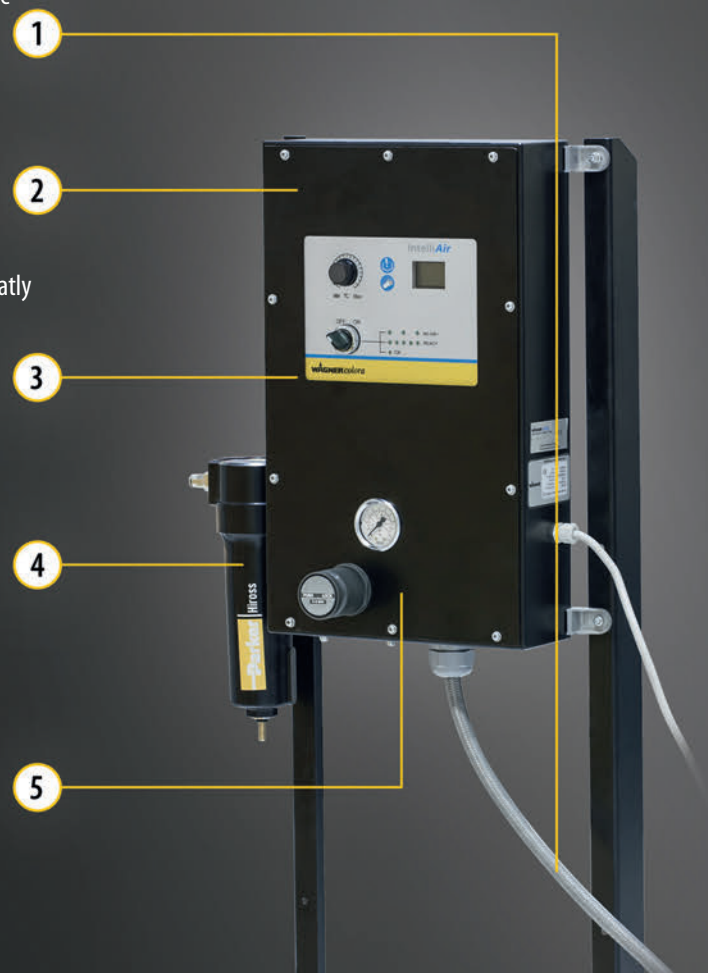
- For manual applications: one gun per device
- For automatic applications: two automatic guns per device; if using two remote-controlled air pressure controllers, these may run with different air pressure parameters

4. Improved air quality

An input air filter improves the quality of the atomizing air.

5. Improved process reliability

Through the use of Intelliair, the process reliability of surface coating can be greatly improved, which produces consistently good coating results.



Atomizing air heater

To improve atomization



Improves the coating quality by heating the atomizing air to up to 60 degrees Celsius by means of a heating wire in the attached 10 m DN8 air hose. The device can be fitted on the wall and has a standard power supply of 230 V; 50/60 Hz; 600 W power.

Description	Product description	Art. No.
Intelliair EX	Heats atomisation air up to 60 degrees Celsius up to the guns.	U962.00A
Stand for Intelliair	Frame for Intelliair	T6208.00

Nozzle extensions

Nozzle extensions of various lengths for WAGNER AirCoat and Airless spray guns.



Nozzle extension - AirCoat



This extension extends WAGNER nozzles and air caps. The valve seat remains in the gun. This extension does not have ATEX certification!

Description	Product description	Length	Art. No.
		mm	
Nozzle extension AC 300	Nozzle extension for GM 4100/GM 4700	300	394090
Nozzle extension AC 600	Nozzle extension for GM 4100/GM 4700	600	394091

Nozzle extensions - Airless



Nozzle extensions with 11/16" UNF thread for e.g. AG 14 Airless manual guns. Made of nickel-plated steel, use with maximum 400 bar, connection for nozzle holder: 11/16" UNF.

Description	Length	Max. operating pressure	Art. No.
	mm	bar	
Tip ext. assy. 15cm	150	400	999320
Tip ext. assy. 30cm	300	400	999321
Tip ext. assy. 45cm	450	400	999322
Tip ext. assy. 60cm	600	400	999323
Tip extension assy. 1m	1000	250	96015
Tip extension assy. 2m	2000	250	96016
Tip extension assy. 3m	3000	250	96017
Threaded swivel joint			97009



97009

Threaded swivel joint

Cavity lances

For airless applications



Cavity lances including round jet nozzle in various length and sizes, usable for material pressures up to 350 bars. Can be used for the following spray guns: GA 250 AL, AG 14, GM1-350.

Description	Product description	Length	Art. No.
		mm	
Cavity sealing lance assy 350mm	Cavity lance with nozzle R15 complete	350	2331802
Cavity sealing lance assy 800mm R12	Cavity lance with nozzle R12 complete	800	2356287
support for blowing row 797x40x30	Cavity lance with nozzle R14 complete	120	2354550
Cavity sealing lance assy. 120mm/R15	Cavity lance with nozzle R15 complete	120	2360150
NOZZLE, EXTENDED FLEX. ASSY., 1300mm R13	Cavity lance with nozzle R13 complete	1300	2369332

Additional gun accessories

- Swivel joints for different Airspray, Aircoat and elektrostatic-guns
- Special filters for GA 400 AL
- GM 5000 accessories



Swivel joints

For Airspray manual guns



Swivel joints for product connections and air connections for Airspray guns

Description	Product description	Thread 1	Thread 2	Art. No.
SWIVEL joint nipple I/A R1/4"	Swivel joint 3/8" I/A for Airspray Pilot Premium guns	G 3/8"	G 3/8"	V0000102100
Double ball-type Swivel Joint air 1/4"	Double ball-type swivel joint air 1/4" i/o diameter	G 1/4"	G 1/4"	V0000104000
Paint Supply tube for Model Premium	Paint supply tube for the Airspray Pilot Premium guns, results in outstanding handling because the low-pressure hose packages (3677249 – 3677254) are all routed to the gun from below on one axis.	G 3/8"	R 1/2"	V1070210000



V1070210000

Paint Supply tube for Model Premium

Swivel joints

For e.g. manual guns



Description	Product description	Thread 1	Thread 2	Nom. pressure	Art. No.
				bar	
Fitting-SJM-GM4100AC-1/4"NPS	Material swivel joint for GM 4100AC incl. 100 mesh filter	NPS 1/4"-M	NPS 1/4"-M	270	394926
Fitting-SJM-GM4600AC-1/4"NPS	Material swivel joint for GM 4600AC & GM 4700AC	NPS 1/4"-M	NPS 1/4"-M	270	394928
Swivel joint kit - GM 4100AC	GM 4100AC swivel joint set for material and air	M	M	250	394931
Swivel joint kit-GM4600AC	GM 4600AC & GM 4700AC swivel joint set for material and air	M	M	250	394933
SJA-MF-G1/4"-G1/4"-PN15-brass	AirCoat air swivel joint	G 1/4"-M	G 1/4"-F	15	364938
Swivel joint kit edge filter - GM 3000AC	Set for retrofitting GM 3000AC without a filter with a swivel joint.	M	M	250	364931

Swivel joints

Electrostatics

Product and air joint for GM 5000EAC



Description	Product description	Art. No.
Fitting-SJM-GM5000EAC-1/4"NPS	Swivel joint material for GM 5000EAC with NPS 1/4" thread	2327060
PRIVOT JOINT AIR	Swivel joint air for GM 5000 EAC	2324766
Swivel joint kit GM5000EAC	Set Swivel joint air plus gap filter for GM 5000 EAC	2327061

Special filter

For GA 400AL

Gap filter inserts for automatic Airless guns GA 400AL, and brackets and intermediate housing for their installation.



Description	Product description	Art. No.
Edge Filter Insert Profi-Tip assy (P10)	Suited to GA 400AL	2336549
Profi Tip HP „F“ reversing switch Aut	Wagner professional tip high-pressure holder for automatic guns	2328680
Intermediate case assy	Intermediate housing for conversion	2336657



2336657

Intermediate case assy

GM 5000EA/EAC accessories




For metallic lacquers



Metallic lacquers can be applied without special LowR hose packages thanks to special product hoses inside the GM 5000 electrostatic guns with higher electrical resistance; available for low and high pressure. The hoses are easy to insert and change.

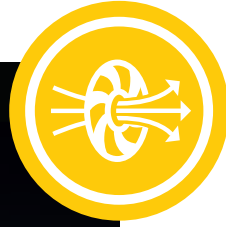


Description	Product description	Art. No.
Coiled tube assy.	For processing metallic lacquers in Airspray applications with GM 5000EA.	2355046
Coiled tube assy. (USA) 3/8" NPS	For processing metallic lacquers in Airspray applications with GM 5000EA FM; FM certified.	2355047
Set material hose AC 1.5mm assy.	For processing metallic lacquers in high-pressure applications (< 250 bar) with GM 5000EAC.	2352607
Set material hose GA EAC 1.5mm	For processing metallic lacquers in high-pressure applications (< 250 bar) with GA 5000EAC.	2367217
Coiled tube GA EA assy.	For processing metallic lacquers in Airspray applications with GA 5000EA.	2367216

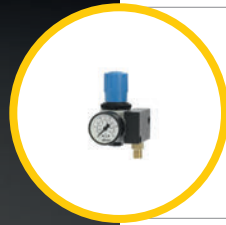
		
2352607	2367217	2367216
Set material hose AC 1.5mm assy.	Set material hose GA EAC 1.5mm	Coiled tube GA EA assy.

Always the best supply.

Accessories and components for professional air supply and control



Air supply



Air regulators & filters

188

Air regulators & air filters



AirCoat air regulator

For various pumps



Air regulator suited to various pumps to avoid air motor wear caused by poor air pressure quality.

Description	Product description	Connection	Art. No.
Kit AirCoat air regulator EvoMotion	Air pressure regulator for Evomotion pumps 40-15 and 20-30 to supply the connected guns with atomizer and molding air. For fitting directly on the pump	G 1/4"	T6145.00A
Air pressure regulator for DD 4:1	Air regulator for pump inlet pressure of the Unica 4-270.	G 1/2"	T6152.00
Set AirCoat regulator IceBreaker	For IceBreaker Finishing pumps and Cobra. With G1/4" external thread for connecting the air hose.	G 1/4"	2328611
Set AirCoat filter regulator IceBreaker	Für IceBreaker Finishing Pumpen. Mit integriertem Wasser und Schmutzabscheider und G1/4" Aussengewinde zum Anschluss des Luftschlauchs.	G 1/4"	2333478
AirCoat regulator assy. Cobra	Druckregler für Cobra Pumpen, erlaubt die Montage bei waagrecht und senkrecht montierter Pumpe.	G 1/4"	2333479
M/F 1/4 Throttle Valve	For shutting off the atomizer air when flushing AirCoat guns, also suited to Airspray applications.	G 1/4"	M101.00
AirCoat filter regulator assy. Cobra	Druckluftregler mit Filter für Cobra Pumpen, erlaubt die Montage bei waagrecht und senkrecht montierter Pumpe.	G 1/4"	2382997

Air filter

For Protective Coating



Air filter suitable for all pumps with a 1" air connection, e.g. all pumps for Protective Coating

Description	Product description	Connection	Art. No.
Air filter set PC	Air filter set for Protective Coating pumps to prevent air motor wear caused by a poor compressed air quality.	G 1"	2339851

Air pressure gauge



Air regulator with pressure gauge

Description	Product description	Connection	Art. No.
Manometer with regulator 0-10bar G1/4	Pressure gauge with air regulator 0 - 10 bar	G 1/4"	2341176
Pressure gauge combination 0-16bar	Pressure gauge, 0 - 16 bar	M 16x1.5	392053
Pressure gauge combination 0-40bar	Pressure gauge combination, 0- 40 bar	M 16x1.5	392054
Pressure gauge combination 600 bar	Pressure gauge combination up to 600 bar	M 16x1.5	377141

Adjustable check valve

Adjustable check valve for air supply for air hose with a diameter of 4mm.



Description	Product description	Art. No.
Adjustable check-valve	Non-return valve for air supply	9943023

Air hoses

Various sizes and lengths



Air hoses for air supply

Description	Product description	Art. No.
Air hose assy. (7.5m)	PUR, fabric-reinforced, DN 6.5 with union nut G1/4", brass	2339148
Air hose assy. (10m)	PUR, fabric-reinforced, DN 6.5 with union nut G1/4", brass	2339149
Air hose assy. (15m)	PUR, fabric-reinforced, DN 6.5 with union nut G1/4", brass	2339150
Air hose assy. (20m)	PUR, fabric-reinforced, DN 6.5 with union nut G1/4", brass	2339151
Air hose compl. (8.0m)	PUR, fabric-reinforced, DN 6.5 with union nut G1/4", brass	2339152
Air hose compl. (10.5m)	PUR, fabric-reinforced, DN 6.5 with union nut G1/4", brass	2339153
Air hose assy. (15.5m)	PUR, fabric-reinforced, DN 6.5 with union nut G1/4", brass	2339154
Air hose assy. (20.5m)	PUR, fabric-reinforced, DN 6.5 with union nut G1/4", brass	2339155
Air hose assy. (7.5m)	PUR, fabric-reinforced, DN 8.0 with union nut G1/4", brass	2345336
Air hose assy. (10m)	PUR, fabric-reinforced, DN 8.0 with union nut G1/4", brass	2345337
Air hose assy. (15m)	PUR, fabric-reinforced, DN 8.0 with union nut G1/4", brass	2345338
Air hose assy. (20m)	PUR, fabric-reinforced, DN 8.0 with union nut G1/4", brass	2345339
Air hose assy. (8.0m)	PUR, fabric-reinforced, DN 8.0 with union nut G1/4", brass	2345340
Air hose assy. (10.5m)	PUR, fabric-reinforced, DN 8.0 with union nut G1/4", brass	2345341
Air hose assy. (15.5m)	PUR, fabric-reinforced, DN 8.0 with union nut G1/4", brass	2345342
Air hose assy. (20.5m)	PUR, fabric-reinforced, DN 8.0 with union nut G1/4", brass	2345343
Air hose - DN6.5, PUR, fabric reinforced	PUR, fabric-reinforced, DN 6.5 per meter	2339198
Air hose - DN8, PUR, fabric reinforced	PUR, fabric-reinforced, DN 8 per meter	2343538
Hose nozzle with nut	Hose fitting for air hose DN 6.5, Art.no. 2339198	2339195
Hose nozzle with nut	Hose fitting for air hose DN 8.0, Art.no. 2343538	2345345





Air connection nipple

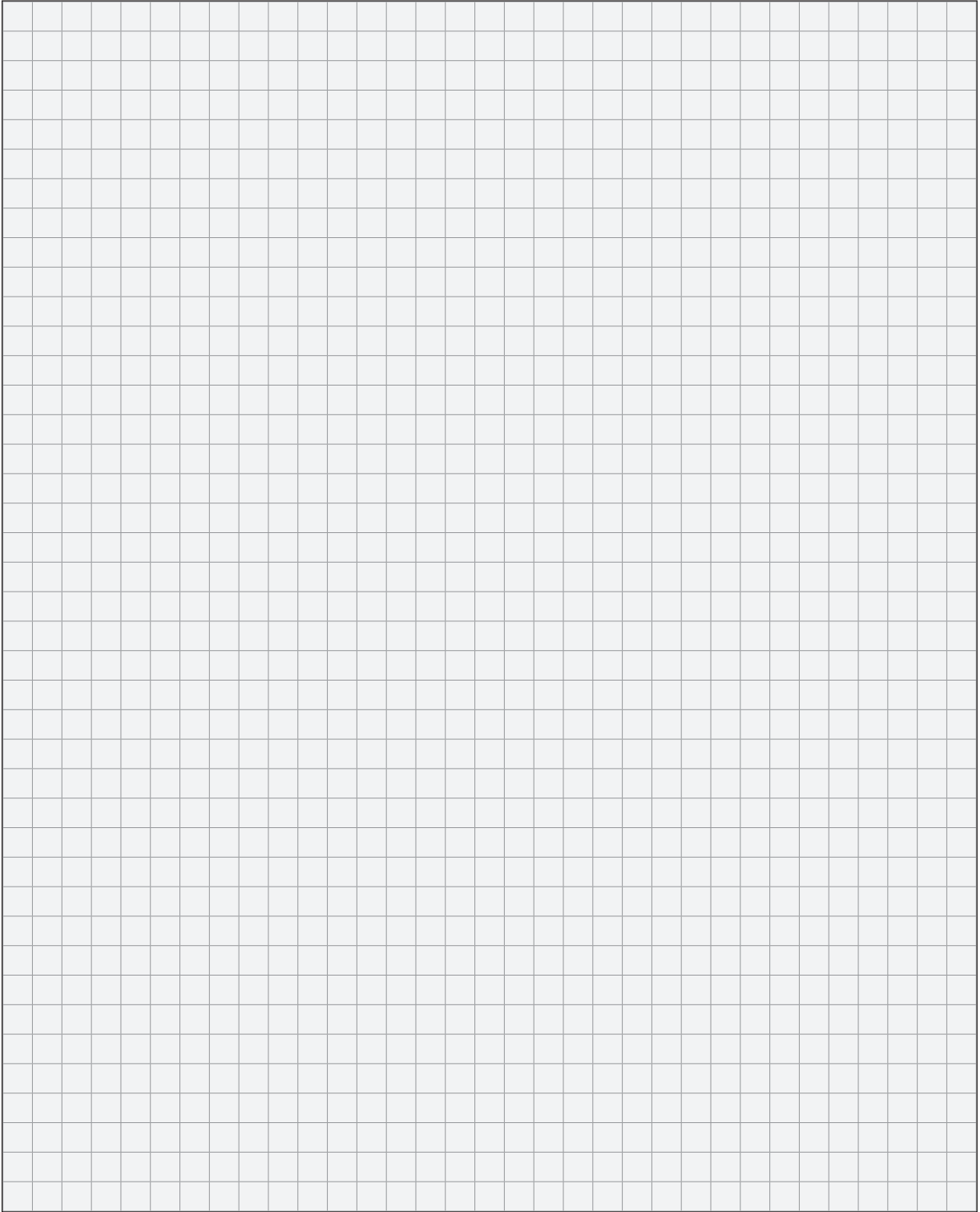
For air supply

Connection nipples and couplings for configuring air hoses.



Description	Product description	Art. No.
Hose sleeve	Hose fitting for air DN12-G1/2"-CS compl. suited to 322916, with flat seal	9985619
Kit air coupling NW10	Quick coupling for air DN13-G1/2" compl., comprising 9998812 + 9998813	322916
Plug_in nipple assembly	Quick coupling for air G1/2", only for pump connector	9998813
Outside thread tuelle 1"-NW25	Hose fitting for air DN25-G1"-CS compl., with flat seal	9985671

			
9985619	322916	9998813	9985671
Hose sleeve	Kit air coupling NW10	Plug_in nipple assembly	Outside thread tuelle 1"-NW25



WAGNER

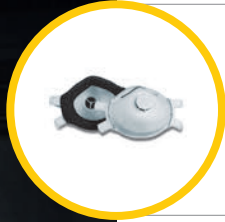
The safe and easy way to coat.



WAGNER provides a large range of items for health and safety, nozzle cleaning, and useful tools for electrostatic applications.

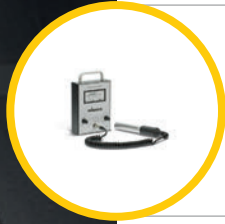


Miscellaneous



Health and safety

198



Measuring devices and tools

206

Health and safety

Various useful and indispensable items for health and safety when working with paints and lacquers, ranging from protective suits and goggles to gloves and breathing apparatus.



Protective suit

Available in L to XL sizes



The Lucky disposable protective suit is ideal for paint shops. It is impervious to dust and resistant to chemicals. Color: white / gray

Description	Product description	Art. No.
Protective suit Lucky white/grey size L	The Lucky disposable protective suit is ideal for paint shops. It is impervious to dust and resistant to chemicals.	AFR01020200
Protective suit Lucky white/grey size XL	The Lucky disposable protective suit is ideal for paint shops. It is impervious to dust and resistant to chemicals.	AFR01020201
Protective suit Lucky white/gr. size XXL	The Lucky disposable protective suit is ideal for paint shops. It is impervious to dust and resistant to chemicals.	AFR01020202

Protective gloves

Various applications



Different protective gloves for different applications make safe and comfortable working possible.

Description	Product description	Art. No.
Protective glove „LEON“ coated	These protective gloves are made of cotton with yellow nitrile coating on the palm and fingers. The back of the glove is not coated and promotes air circulation. Resistant to chemicals.	AFR01040100
Protective glove, mist	Gloves to protect hands and gun against spray mist.	9994682
Gun cover	Protective sleeve for electrostatic gun GM 5000.	2319653

	
AFR01040100	9994682
Protective glove „LEON“ coated	Protective glove, mist

Fine dust mask

PILOT 20 is a fine dust mask with an exhalation valve that achieves a high grade of fine dust filtering of solid and liquid particles. Size M



Description	Product description	Art. No.
Dust mask PILOT 20 FFP3	PILOT 20 is a fine dust mask with an exhalation valve that achieves a high grade of fine dust filtering of solid and liquid particles. Size M	AFR01030200

Half mask respirator

Various breathing masks for a high level of comfort.



Description	Product description	Art. No.
Half mask respirator PILOT 250	PILOT 250 is a half mask respirator. Filter not included.	V7725000000
Combination filter A1/P2 for model 250	Suitable for half mask respirator PILOT 250.	V7725000100
Half mask respirator, series 4000	Complete ultralight mask that offers protection against gases, vapors and particles. Very easy to use.	AFR01050100



AFR01050100

Half mask respirator, series 4000

Supplied air respirator

Breathing hood with face shield with compressed air supply. Protective face shield covers and hoods, made of TYVEK material, are included.



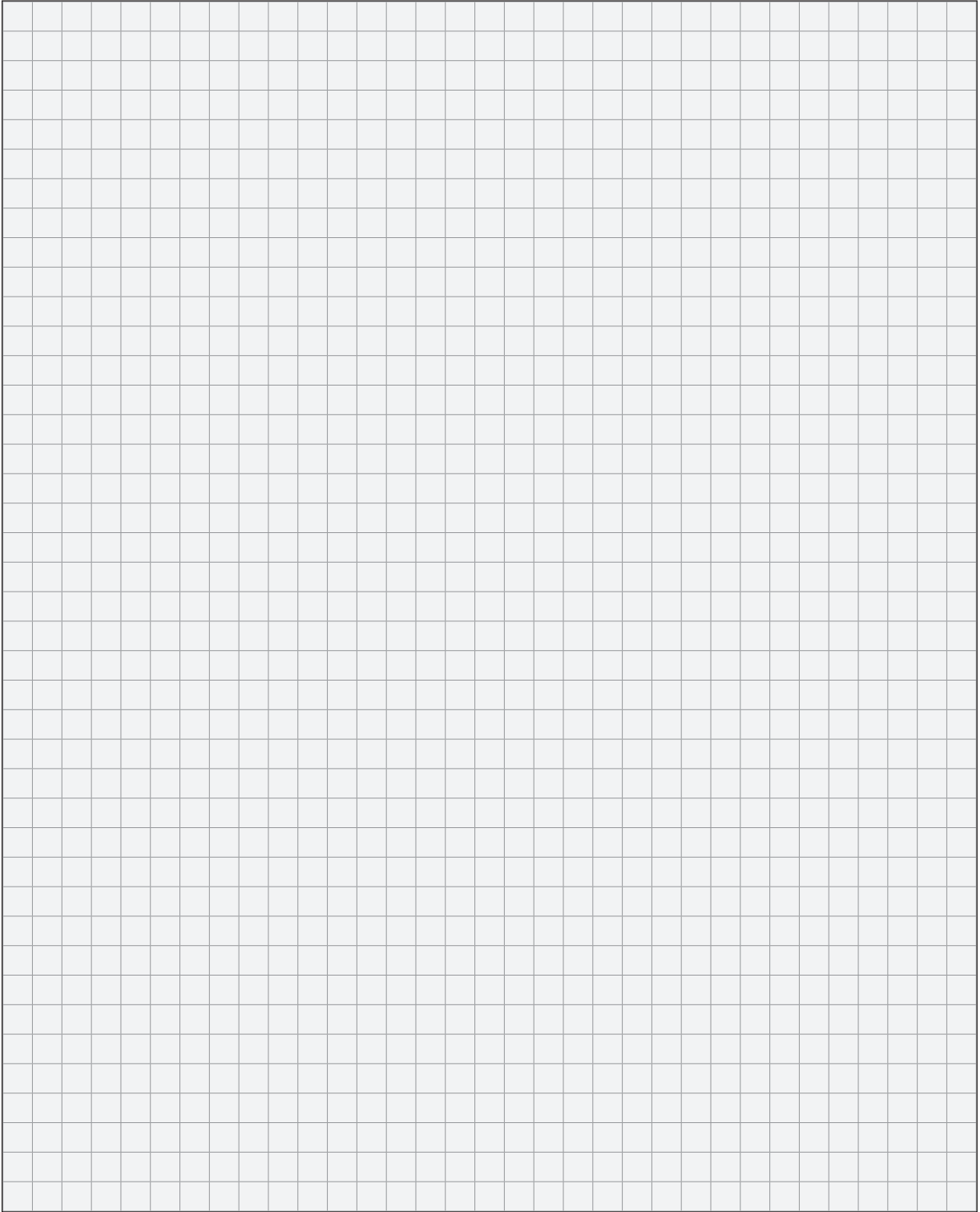
Description	Product description	Art. No.
PILOT 600 breathing hood	Breathing hood with face shield with compressed air supply. Protective face shield covers and hoods made of TYVEK material are included.	V776000000

Powered air purifying respirator



Mask that operates independently of compressed air for use in potentially explosive environments. With combination filters for gases, vapors, and particles.

Description	Product description	Art. No.
Protection mask SCOTT PROFLOW 2 EX	Mask that operates independently of compressed air for use in potentially explosive environments. With combination filters for gases, vapors and particles.	AFR01010300



Measuring devices and tools

Various measuring devices, such as for determining the lacquer conductivity.


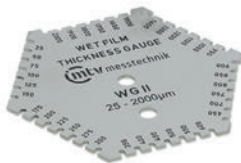


Paint resistance meter



Can be used for solvent-based lacquers to establish suitability for electrostatic applications.

Description	Product description	Art. No.
Paint resistivity meter RS 500	Can be used for solvent-based lacquers to establish suitability for electrostatic applications.	2326041
Thickness gauge	To determine the thickness of the wet lacquer coating in the middle section.	999080
Coating thickness gage	To determine the thickness of the wet lacquer coating, layer thickness gauge for 25-2000 µm liquid film	2361282

	
999080	2361282
Thickness gauge	Coating thickness gage

High-voltage tester



Description	Product description	Art. No.
H.V.tester HV200 N	High-voltage tester for measuring high voltage, for example of a gun.	259010
H.V.tester HV200	High voltage tester for WAGNER Corona guns	259005

Seal integrity test device

For VM 500/5000



Is required by law in the EU: VM 500/ VM 5000 control units have to checked for seal integrity every 3 years to rule out possible hazards in ATEX zone 2.

Description	Product description	Art. No.
Leak tightness tester VM 500 / VM 5000	Contains calibrated pressure gauge with sufficient measuring accuracy.	2364572

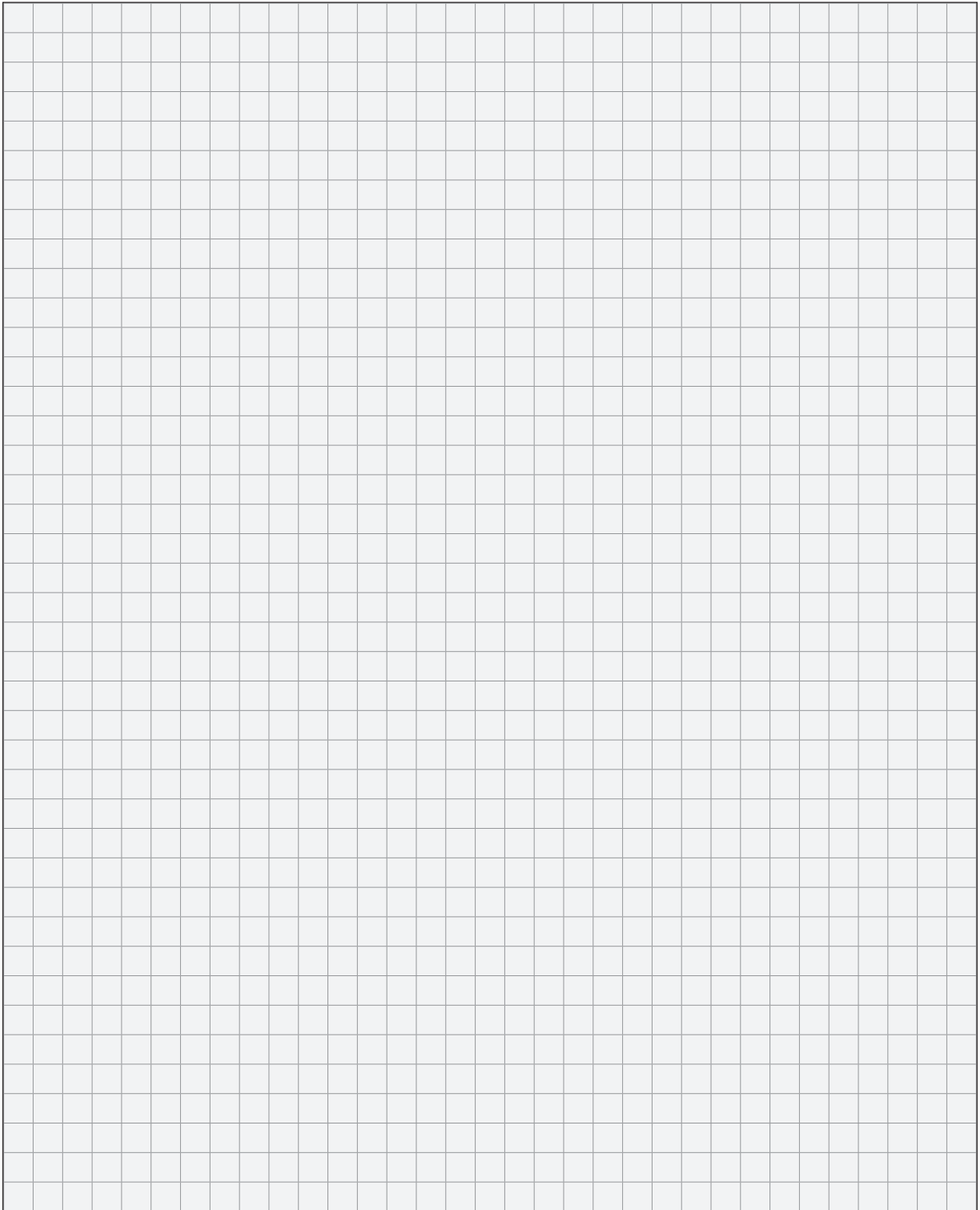
Nozzle cleaning

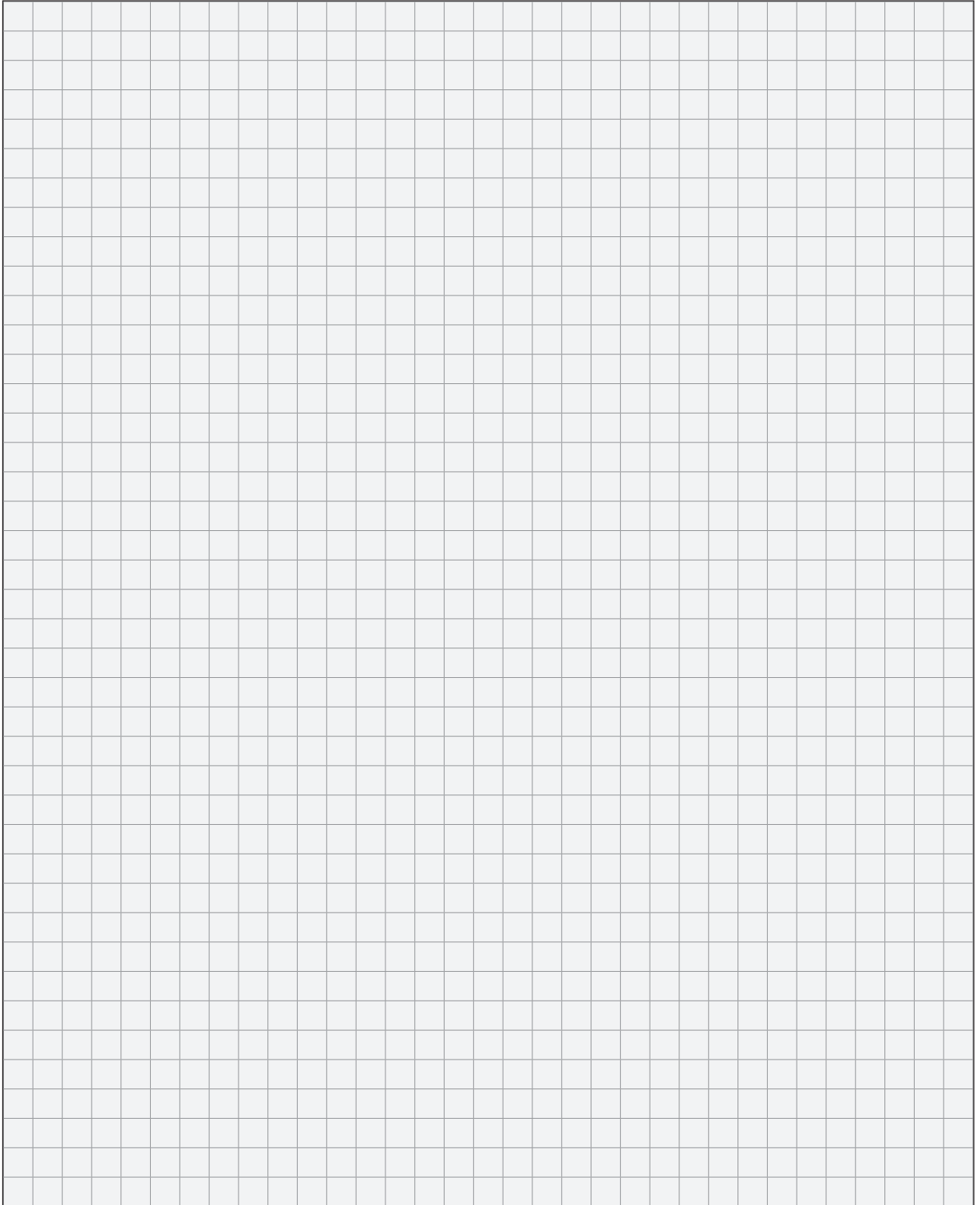
TipClean

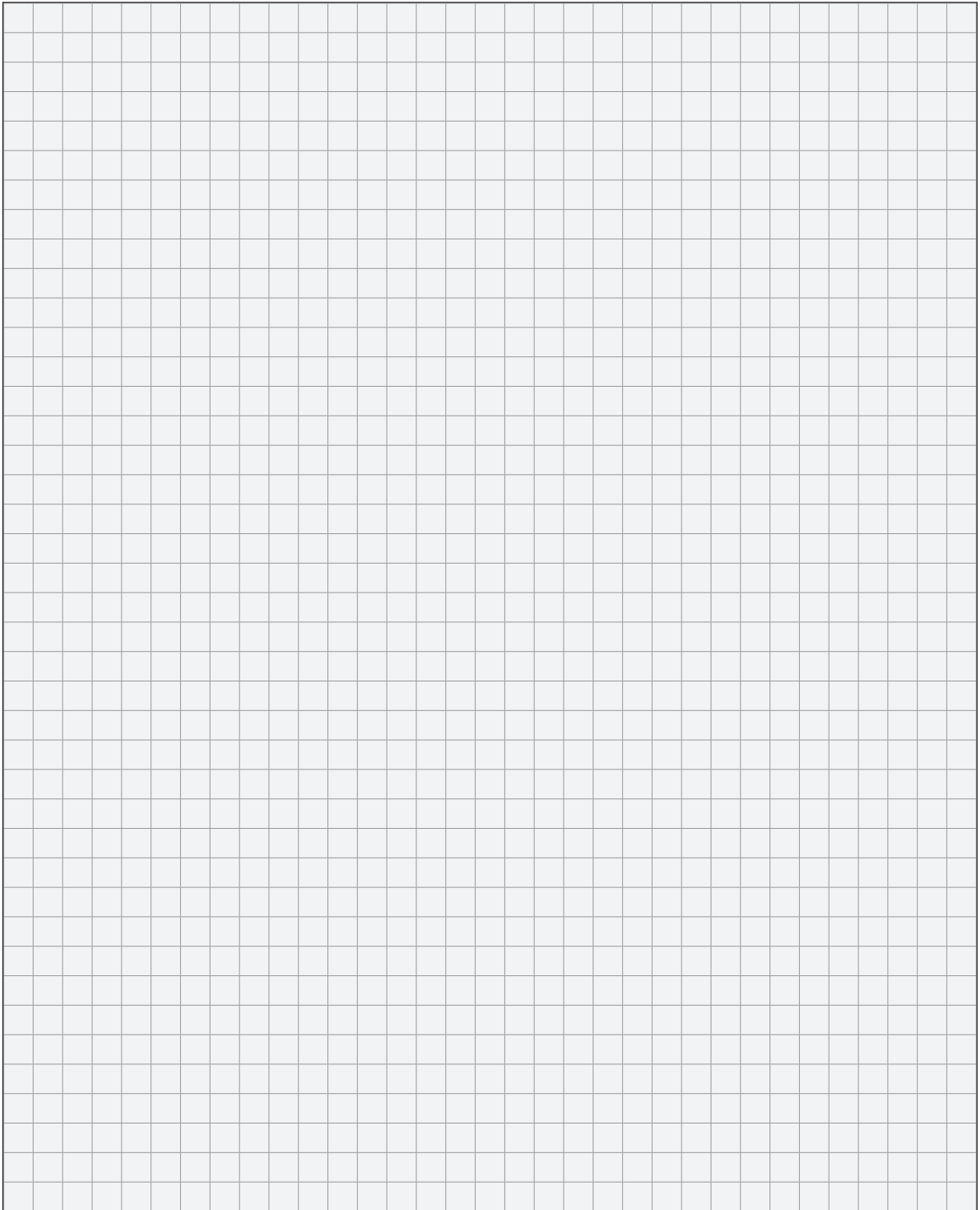


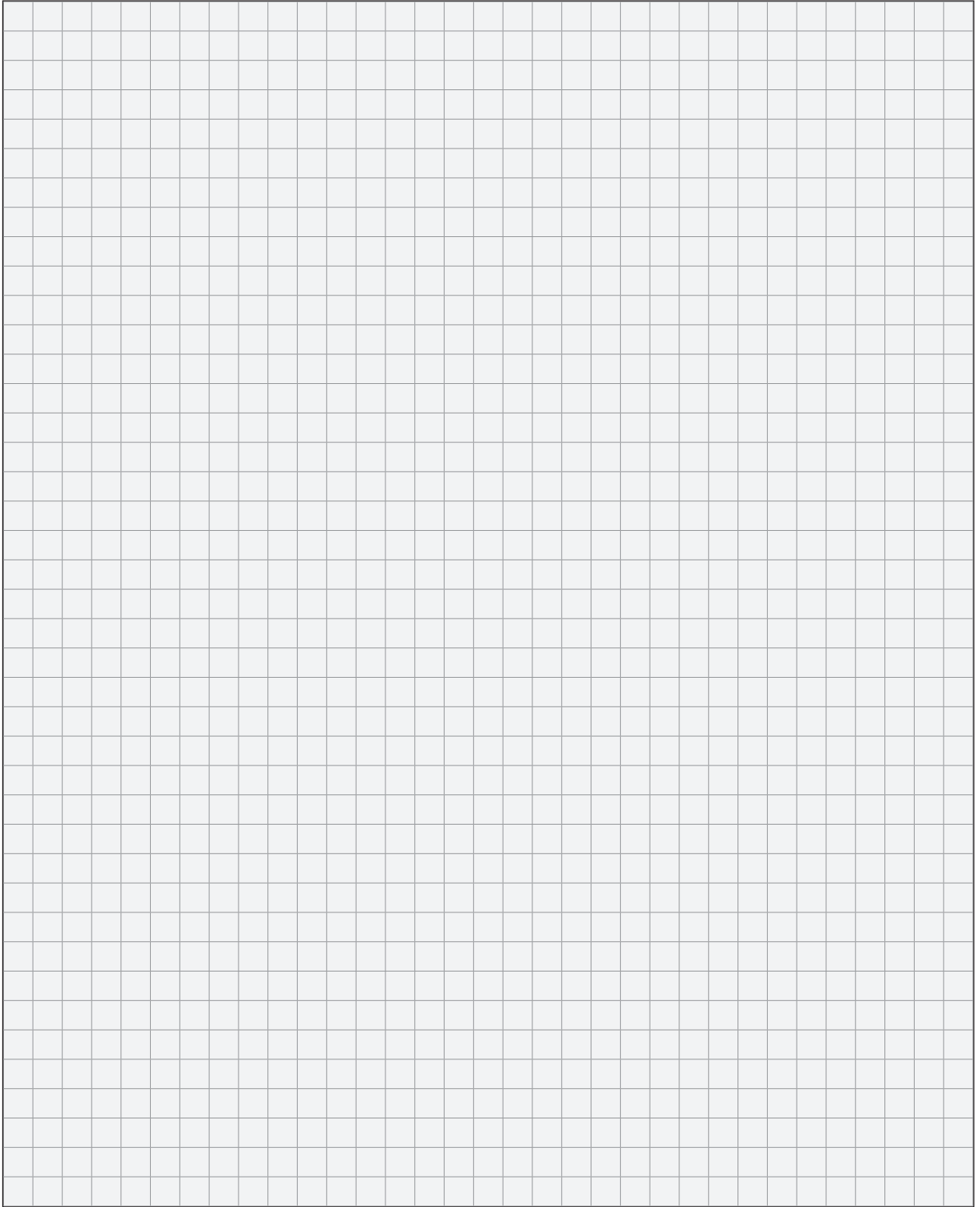
With TipClean you can clean your nozzles contactless anywhere at anytime. Simply open cover, place nozzles in the container, close and turn upside down. Briefly tap against the container to start the nozzle cleaning process.

Description	Product description	Art. No.
TipClean 200 ML	Hopper including special cleaner, 200 ml.	97108
TipClean refilling bottle 1 Litre	Special cleaner for TipClean (1 liter refill bottle)	97110
TipClean hardware washing pack. 24pcs.	Packing containing 24 items	97109











**J. Wagner GmbH**

Industrial Solutions
D-88677 Markdorf
T +49 (0) 7544 505 - 0
F +49 (0) 7544 505 - 1200

Wagner S. p. A.

Via Santa Vecchia, 109
23868 Valmadrera (LC) - Italy
T +39 (0) 341 210 100

WAGNER Systems Inc.

300 Airport Road
60123 Chicago
Tel. +1 630 503-2400
Fax. +1 630 503-2377

**WAGNER Spraytech
(Shanghai) Co., Ltd.**

1F, No. 58, 3rd Jiangchang Road
200436 Shanghai
Tel. +86 21 60 433 888

Walther Spritz- u. Lackiersysteme GmbH

Kärntner Straße 18 - 30
D-42327 Wuppertal
T +49 (0) 202 787 - 0
F +49 (0) 202 787 - 2217
www.walther-pilot.de

Reinhardt-Technik GmbH

Waldheimstraße 3
D-58566 Kierspe
T +49 (0) 2359 666 - 0
F +49 (0) 2359 666 - 129
www.reinhardt-technik.de

C.A. Technologies**Coating Atomization Technologies**

337 S. Arthur Ave.
Louisville, CO 80027
T +1 888 820 4498
F +1 303 438 5708
www.spraycat.com

www.wagner-group.com



Printed in Germany - Part. no. 2392516 - 07/2018 - Subject to change without notice. We accept no liability for changes, mistakes or printing errors. Illustrations may vary from scope of delivery. Our general terms and conditions apply. All rights reserved.

