

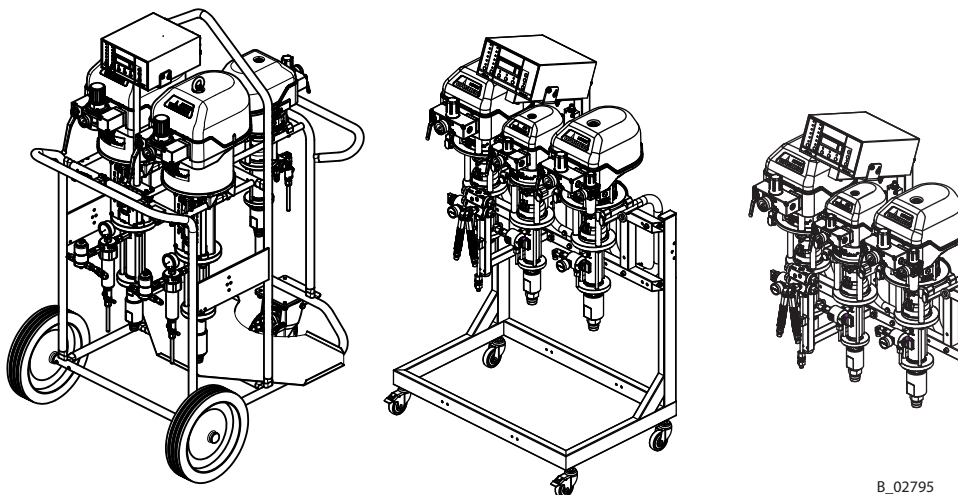


## Translation of the original Spare parts catalogue

**TwinControl 5-60 ABS**  
**TwinControl 18-40 ABS**  
**TwinControl 28-40 ABS**  
**TwinControl 35-70 ABS**  
**TwinControl 48-110 ABS**  
**TwinControl 35-150/70 ABS**  
**TwinControl 75-150 ABS**  
**TwinControl 72-300/150 ABS**  
**TwinControl 72-300 ABS**

Edition 01/ 2010

## Electronic mixing ratio controller for 2K paints



B\_02795





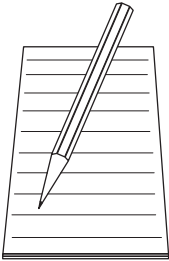
## Contents

<b>1</b>	<b>ABOUT THESE INSTRUCTIONS</b>	<b>6</b>
1.1	Languages	6
1.2	Warnings, notes and symbols in these instructions	7
<b>2</b>	<b>TECHNICAL DATA</b>	<b>8</b>
<b>10</b>	<b>SPARE PARTS</b>	<b>12</b>
10.1	How to order spare parts?	12
<b>11</b>	<b>SPARE PARTS BASIC UNITS</b>	<b>13</b>
11.1	Basic unit TwinControl 5-60 ABS	13
11.2	Basic unit TwinControl 18-40 ABS	17
11.3	Basic unit TwinControl 28-40 ABS	22
11.4	Basic unit TwinControl 35-70 ABS	27
11.5	Basic unit TwinControl 35-150/70 ABS Base frame	32
11.6	Basic unit TwinControl 35-150/70 ABS Trolley	37
11.7	Basic unit TwinControl 48-110 ABS Base frame	42
11.8	Basic unit TwinControl 48-110 ABS Trolley	47
11.9	Basic unit TwinControl 75-150 ABS Base frame	51
11.10	Basic unit TwinControl 75-150 ABS Trolley	56
11.11	Basic unit TwinControl 72-300/150 ABS Base frame	61
11.12	Basic unit TwinControl 72-300/150 ABS Trolley	66
11.13	Basic unit TwinControl 72-300 ABS Base frame	71
11.14	Basic unit TwinControl 72-300 ABS Trolley	76
<b>12</b>	<b>SPARE PARTS OF COMPONENTS OF THE BASIC EQUIPMENTS</b>	<b>82</b>
12.1	Pneumatic pump TIGER Type M	82
12.2	Pneumatic pump Jaguar Type M	84
12.3	Pneumatic pump Leopard Type M and F	86
12.4	Pneumatic pump Puma Type M and F	89
12.5	Pneumatic pump Wildcat Type M and F	90
12.6	Pneumatic pump EvoMotion stainless steel 5-60	91
12.7	Air connection assy. 2305082	92
12.8	Air manifold 2302357	93
12.9	Filter regulator set Trolley 2307787	94
12.10	Air manifold 2303849	95
12.11	Air manifold 2303959	96
12.12	Filter regulator set 2301061	97
12.13	Trolley Jaguar/ Tiger 2301641	98
12.14	Trolley Leopard 2301072	99
12.15	Relief valve	100

## Contents

<b>13</b>	<b>SPARE PARTS FROM TWINCONTROL - ACCESSORIES</b>	<b>102</b>
13.1	Mixer external pneumatic NW2.6/ NW6 KS	102
13.2	Mixer external pneumatic NW2.6/ NW10 GXP	104
13.3	Mixer external manual NW8/ NW10 VA	106
13.4	Circulation Mixer NW8 external	108
13.5	Soft circulation Leopard	110
13.6	Soft circulation Jaguar	111
13.7	Soft circulation Tiger	112
13.8	Remote control TwinControl	114
13.9	Heater set A or B TwinControl to 35-150	116
13.10	Heater set A TwinControl 48-110 to 75-150	118
13.11	Heater set B TwinControl 48-110 to 75-150	120
13.12	Heater set A TwinControl 72-300	122
13.13	Heater set B TwinControl 72-300	124
13.14	Heater set A TwinControl 72-300 double	126
13.15	Connecting set GFB 1	128
13.16	Connecting set GFB 2	129
13.17	TC gun distribution	130
13.18	Archiving software TwinControl V3	132
<b>14</b>	<b>SERVICE SETS</b>	<b>133</b>
14.1	Service sets for air motors PP3000	133
14.2	Service sets for material pumps PP3000	133
14.3	Service sets for piston pumps EvoMotion	133

SPARE PARTS CATALOGUE



A series of horizontal lines for writing, starting from the first line of the notepad icon and extending across the page.

## 1 ABOUT THESE INSTRUCTIONS

This spare part catalog contains information about the structure and the assembly of the equipment and its accessories.

The spare part catalog is part of the appropriate manual.

Use equipment only considering both guidances.

This unit can be dangerous, if it is not operated in accordance with the data of the manual and the spare part catalog.

The adherence to these documents is a component of the warranty agreements.

### 1.1 LANGUAGES

This spare part catalog is available in the following languages:

Language:	Part No.	Language:	Part No.
German	393880	English	393881

This operating manual is available in the following languages:

Language:	Part No.	Language:	Part No.	Language:	Part No.
German	393830	English	393831	French	393832
Dutch	2309946	Italian	393834	Spanish	393835
Danish	2306233	Swedish	2306234	Finnish	2304508
Portuguese	2306235	Polish	2306104	Greek	2309157

Related operating instructions for the individual components.

Pneumatic pumps, EvoMotion Stainless steel

Language:	Part No.	Language:	Part No.	Language:	Part No.
German	ZZB021GER	English	ZZB021ENG	French	ZZB021FRE
Dutch	-	Italian	ZZB021ITA	Spanish	ZZB021SPA
Danish	-	Swedish	-	Turkish	-
Portuguese	ZZB021POR	Polish	-	Greek	-

Pneumatic pumps Wildcat, Puma, Leopard and Jaguar:

Language:	Part No.	Language:	Part No.	Language:	Part No.
German	367850	English	367851	French	367852
Dutch	367853	Italian	367854	Spanish	367855
Danish	367857	Swedish	367856	Turkish	367858
Portuguese	367859	Polish	367864	Greek	2309490

Pneumatic pump Tiger:

Language:	Part No.	Language:	Part No.
German	370850	English	370851
French	370852	Dutch	370853
Italian	370854	Spanish	370855
Danish	370857	Swedish	370856

Colour-valves FWV400, HDV400 or GA 400AL-D

Language:	Part No.	Language:	Part No.
German	384880	English	384881
French	384882	Dutch	384883
Italian	384884	Spanish	384885
Danish	384887	Swedish	384886

Colour-valves FWV530 or HDV530



Language:	Part No.	Language:	Part No.
German	377980	English	377981
French	377982	Dutch	377983
Italian	377984	Spanish	377985
Danish	377987	Swedish	377986

## 1.2 WARNINGS, NOTES AND SYMBOLS IN THESE INSTRUCTIONS



Warning instructions in this manual point out particular dangers to users and equipment and state measures for avoiding the hazard.

These warning instructions fall into the following categories:



**Danger** - imminent danger. Non-observance will result in death, serious injury and serious material damage.

 SIHI_0100_GB	 <b>DANGER</b>
	<p><b>This line warns of the hazard!</b> Possible consequences of failing to observe the warning instructions. The signal word points out the hazard level.</p> <p>→ The measures for preventing the hazard and its consequences.</p>

**Warning** - possible danger. Non-observance can result in death, serious injury and serious material damage.

 SIHI_0103_GB	 <b>WARNING</b>
	<p><b>This line warns of the hazard!</b> Possible consequences of failing to observe the warning instructions. The signal word points out the hazard level.</p> <p>→ The measures for preventing the hazard and its consequences.</p>

**Caution** - a possibly hazardous situation. Non-observance can result in minor injury.

 SIHI_0101_GB	 <b>CAUTION</b>
	<p><b>This line warns of the hazard!</b> Possible consequences of failing to observe the warning instructions. The signal word points out the hazard level.</p> <p>→ The measures for preventing the hazard and its consequences.</p>

**Caution** - a possibly hazardous situation. Non-observance can cause material damage.

 SIHI_0102_GB	<b>CAUTION</b>
	<p><b>This line warns of the hazard!</b> Possible consequences of failing to observe the warning instructions. The signal word points out the hazard level.</p> <p>→ The measures for preventing the hazard and its consequences.</p>

**Note** - provide information on particular characteristics and how to proceed.

## 2 TECHNICAL DATA

Order No.	Description: Basic device TwinControl	A-pump	B-pump	Flushing-pump	Mixing ratio	Maxi. material pressure	Maxi. material volume by mixing ratio 1:1	Maxi. material volume by mixing ratio 4:1	Maxi. material volume by mixing ratio 10:1	Maxi. material volume by mixing ratio 20:1	
393177	5-60 ABS Turbine Wall	EvoMotion 5-60	EvoMotion 5-60	EvoMotion 5-60	0.1:1 – 20:1	40 bar 580 psi	3.6 l/min	2.3 l/min	2.0 l/min	1.9 l/min	
393178	5-60 ABS Cable Wall										
393172	5-60 ABS Turbine Base frame										
393176	5-60 ABS Cable Base frame										
393124	18-40 ABS Turbine Wall	Wildcat 18-40	Wildcat 18-40	Wildcat 18-40		0.1:1 – 20:1	144 bar 2089 psi	2.4 l/min	1.5 l/min	1.3 l/min	
393125	18-40 ABS Cable Wall										
393126	18-40 ABS Turbine Base frame										
393127	18-40 ABS Cable Base frame										
393128	28-40 ABS Turbine Wall	Puma 28-40	Puma 28-40	Puma 28-40			0.1:1 – 20:1	224 bar; 3249 psi	2.4 l/min	1.5 l/min	1.3 l/min
393129	28-40 ABS Cable Wall										
393130	28-40 ABS Turbine Base frame										
393131	28-40 ABS Cable Base frame										
393132	35-70 ABS Turbine Wall	Leop. 35-70	Leopard 35-70	Puma 28-40	0.1:1 – 20:1			250 bar; 3626 psi	4.2 l/min	2.6 l/min	2.3 l/min
393133	35-70 ABS Cable Wall										
393134	35-70 ABS Turbine Base frame										
393135	35-70 ABS Cable Base frame										
393137	35-150/70 ABS Turbine Base frame	Leopard 35-150	Leopard 35-150	Puma 28-40		0.1:1 – 20:1		250 bar; 3626 psi	6.6 l/min	5.0 l/min	4.7 l/min
393138	35-150/70 ABS Cable Base frame										
393139	35-150/70 ABS Turbine Trolley										
393140	35-150/70 ABS Cable Trolley										
393146	48-110 ABS Turbine Base frame	Leopard 48-110	Leopard 48-110	Puma 28-40			0.1:1 – 20:1	370 bar; 5366 psi	6.6 l/min	4.1 l/min	3.6 l/min
393147	48-110 ABS Cable Base frame										
393148	48-110 ABS Turbine Trolley										
393149	48-110 ABS Cable Trolley										



Order No.	Description: Basic device TwinControl	Material outlet	Air inlet	Min. Input air pressure	Maxi. Input air pressure	Input voltage	Frequency	Ambient temperature	Material temperature	pH range of the material	Maxi. control air pressure
393177	5-60 ABS Turbine Wall	G 1/4" ext. thread.	G 1/2" inside threads	0.6 MPa; 6 bar; 87 psi	0.8 MPa; 8 bar; 116 psi	115 – 230 V (is valid only for devices with cable connection)	50-60 Hz (is valid only for devices with cable connection)	5 °C - 40 °C; 41 °F - 104 °F	5 °C – 60 °C; 41 °F - 140 °F	3.5 ÷ 9	0.5 MPa; 5 bar; 72.5 psi
393178	5-60 ABS Cable Wall										
393172	5-60 ABS Turbine Base frame										
393176	5-60 ABS Cable Base frame										
393124	18-40 ABS Turbine Wall	1/4 NPS external thread									
393125	18-40 ABS Cable Wall										
393126	18-40 ABS Turbine Base frame										
393127	18-40 ABS Cable Base frame										
393128	28-40 ABS Turbine Wall	1/4 NPS external thread									
393129	28-40 ABS Cable Wall										
393130	28-40 ABS Turbine Base frame										
393131	28-40 ABS Cable Base frame										
393132	35-70 ABS Turbine Wall	1/4 NPS external thread									
393133	35-70 ABS Cable Wall										
393134	35-70 ABS Turbine Base frame										
393135	35-70 ABS Cable Base frame										
393137	35-150/70 ABS Turbine frame	3/8 NPS external thread									
393138	35-150/70 ABS Cable Base frame										
393139	35-150/70 ABS Turbine Trolley										
393140	35-150/70 ABS Cable Trolley										
393146	48-110 ABS Turbine Base frame	3/8 NPS external thread									
393147	48-110 ABS Cable Base frame										
393148	48-110 ABS Turbine Trolley										
393149	48-110 ABS Cable Trolley										

Order No.	Description: Basic device TwinControl	A-pump	B-pump	Flushing-pump	Mixing ratio	Maxi. material pressure	Maxi. material volume by mixing ratio 1:1	Maxi. material volume by mixing ratio 4:1	Maxi. material volume by mixing ratio 10:1	Maxi. material volume by mixing ratio 20:1
393150	75-150 ABS Turbine Base frame	Jaguar 75-150	Jaguar 75-150	Leopard 35-70	0.1:1 – 10:1	530 bar; 7687 psi	9.0 l/min	5.6 l/min	4.9 l/min	-
393151	75-150 ABS Cable Base frame									
393152	75-150 ABS Turbine Trolley									
393153	75-150 ABS Cable Trolley									
393154	72-300/150 ABS Turbine frame	Tiger 72-300	Tiger 72-300							
393155	72-300/150 ABS Cable Base frame									
393156	72-300/150 ABS Turbine Trolley									
393157	72-300/150 ABS Cable Trolley									
393158	72-300 ABS Turbine Base frame									
393159	72-300 ABS Cable Base frame									
393160	72-300 ABS Turbine Trolley									
393161	72-300 ABS Cable Trolley									

Mixing precision:  $\pm 2\%$  (to the B-volume referred)

Order No.	Description: Basic device TwinControl	Material outlet	Air inlet	Min. Input air pressure	Maxi. Input air pressure	Input voltage	Frequency	Ambient temperature	Material temperature	pH range of the material	Maxi. control air pressure
393150	75-150 ABS Turbine Base frame	3/8 NPS external thread	G 1" inside threads	0.6 MPa; 6 bar; 87 psi	0.8 MPa; 8 bar; 116 psi	115 – 230 V (for devices with cable connection)	50-60 Hz (for devices with cable connection)	5 °C - 40 °C; 41 °F - 104 °F	5 °C – 60 °C; 41 °F - 140 °F	3.5 ÷ 9	0.5 MPa; 5 bar; 72.5 psi
393151	75-150 ABS Cable Base frame										
393152	75-150 ABS Turbine Trolley										
393153	75-150 ABS Cable Trolley										
393154	72-300/150 ABS Turbine Base frame										
393155	72-300/150 ABS Cable Base frame										
393156	72-300/150 ABS Turbine Trolley										
393157	72-300/150 ABS Cable Trolley										
393158	72-300 ABS Turbine Base frame										
393159	72-300 ABS Cable Base frame										
393160	72-300 ABS Turbine Trolley										
393161	72-300 ABS Cable Trolley										

## 10 SPARE PARTS

### 10.1 HOW TO ORDER SPARE PARTS?

Always supply the following information to ensure delivery of the right spare part:

#### Part Number, description and quantity

The quantity need not be the same as the number given in the „Quantity“ column. This number merely indicates how many of the respective parts are used in each subassembly.



The following information is also required to ensure smooth processing of your order:

- Address for the invoice
- Address for delivery
- Name of the person to be contacted in the event of any queries
- Type of delivery required (air freight or mail, sea route or overland route, etc.)

#### Marks in spare parts lists

Note to column „K“ in the following spare parts lists.

- ◆ = Wearing parts  
**Note:** No liability is assumed for wearing parts
- = Not part of standard equipment, available, however, as additional extra.

	 <b>WARNING</b>
	<p><b>Incorrect maintenance/repair!</b> Risk of injury and damage to the equipment</p> <ul style="list-style-type: none"> <li>→ Repairs and part replacement may only be carried out by specially trained staff or a WAGNER service center.</li> <li>→ Before all work on the unit and in the event of work interruptions:             <ul style="list-style-type: none"> <li>- Switch off the energy/compressed air supply.</li> <li>- Relieve the pressure from the spray gun and unit.</li> <li>- Secure the spray gun against actuation.</li> </ul> </li> <li>→ Observe the operating and service instructions when carrying out all work.</li> </ul>

SIHI\_0004\_GB

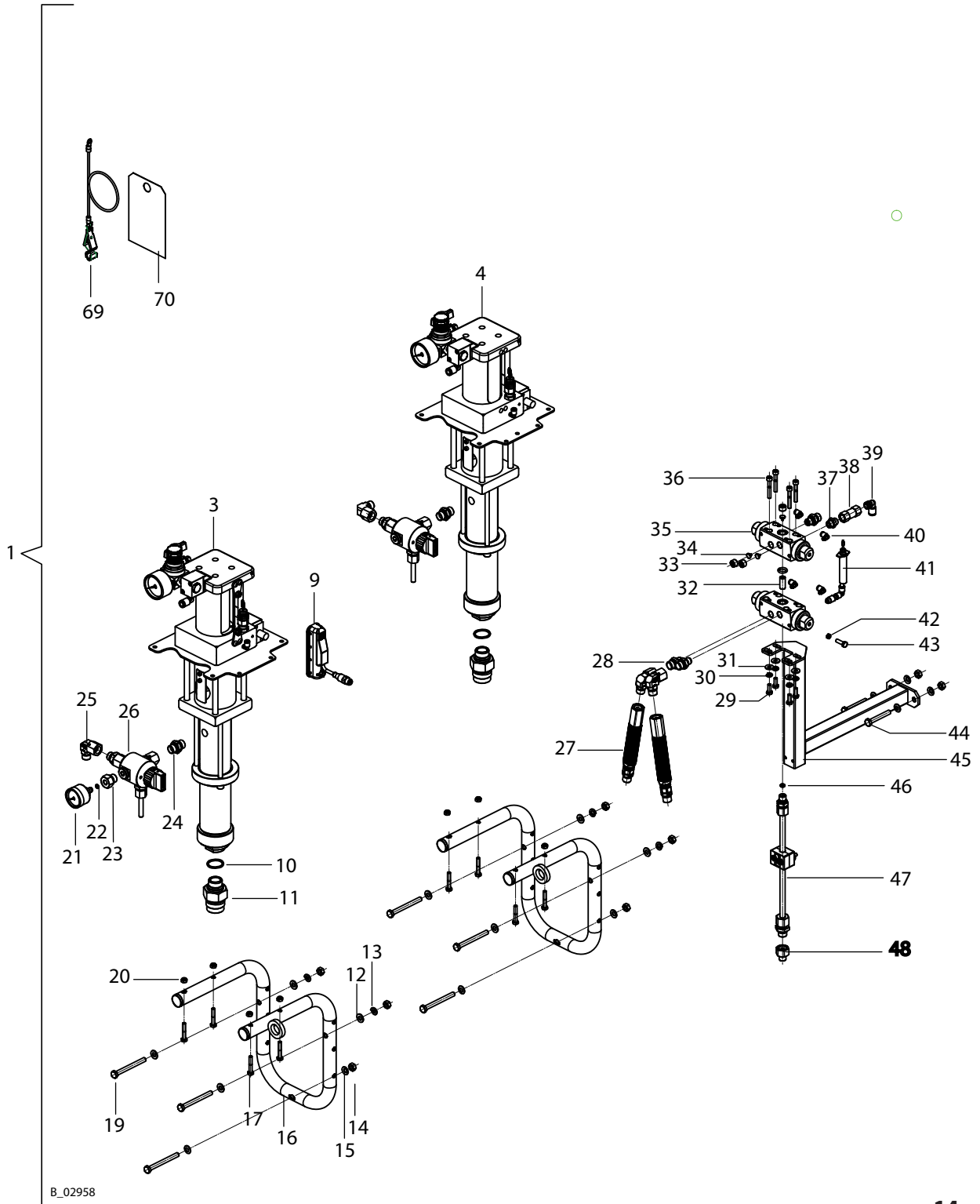
## 11 SPARE PARTS BASIC UNITS

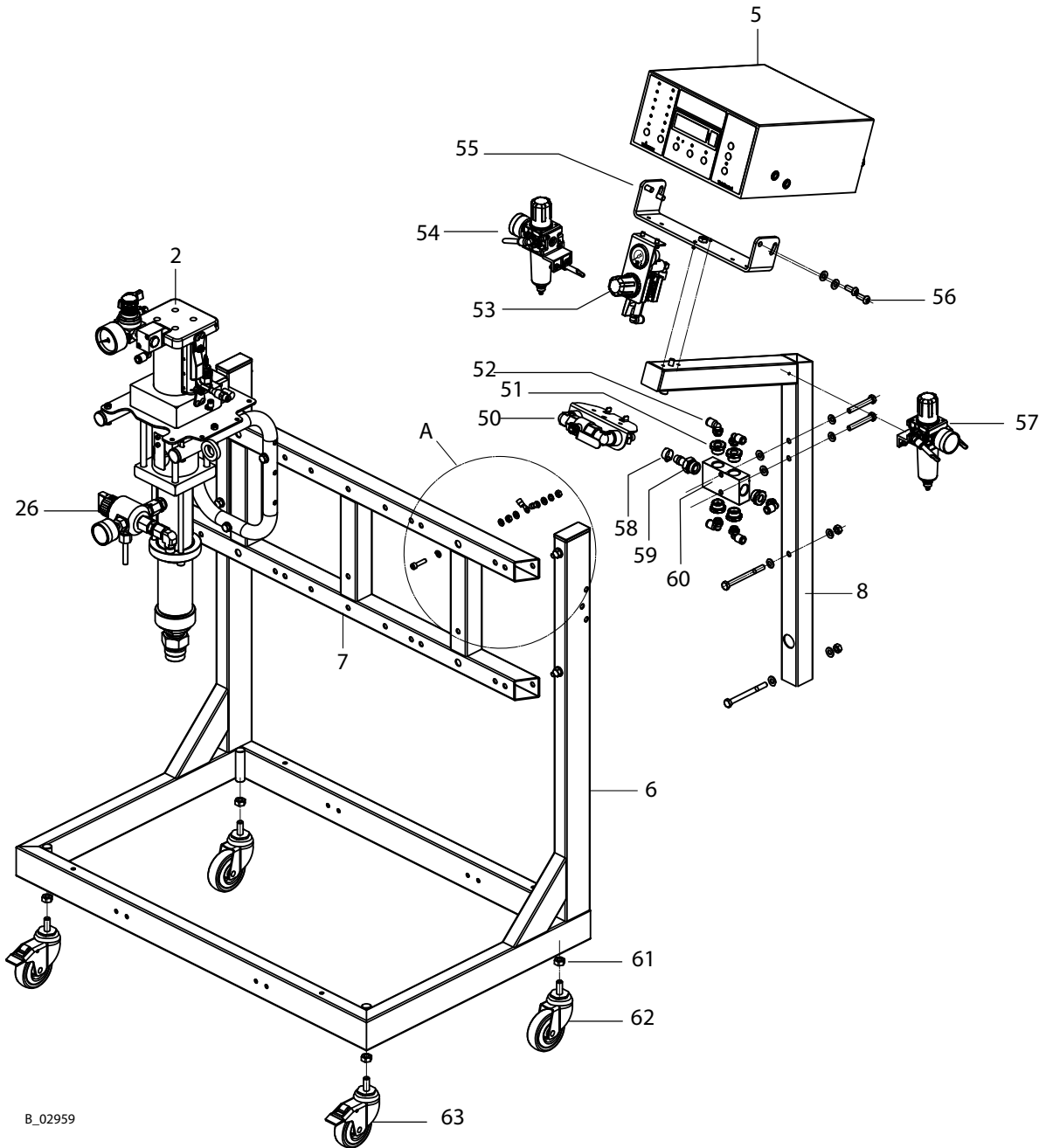
### 11.1 BASIC UNIT TWINCONTROL 5-60 ABS

Spare parts list TwinControl 5-60 ABS		5-60 Turbine Frame		5-60 Turbine Wall		5-60 Cable Frame		5-60 Cable Wall		
Pos	K	Description	Qty	No.	Qty	No.	Qty	No.	Qty	No.
1		TwinControl 5-60 ABS	1	393172	1	393177	1	393176	1	393178
2		Piston p. EvoMotion 5-60S Sensor	1	U1S05060P01						
3		Piston p. EvoMotion 5-60S Sensor	1	U1S05060P01						
4		Piston pump EvoMotion 5-60	1	U1S05060P						
5		Control unit assy. TC1	1	2304936	1	2304936	1	2304937	1	2304937
6		Stand assy.	1	393001	-	-	1	393001	-	-
7		Holder	1	393301	1	393301	1	393301	1	393301
8		Holder control unit assy.	1	393205	1	393205	1	393205	1	393205
9		Stroke measurement 1	2	2305981	2	2305981	2	2305981	2	2305981
10		Seal ring	3	9974109	3	9974109	3	9974109	3	9974109
11		Double-nipple-IF-MM-G3/4" M36x2-PN15-SSt	3	367958	3	367958	3	367958	3	367958
12		Washer	18	9920102	18	9920102	18	9920102	18	9920102
13		Spring ring	6	9921501	6	9921501	6	9921501	6	9921501
14		Hexagon nut	11	9910107	15	9910107	11	9910107	15	9910107
15		Contact washer M08	12	3155404	20	3155404	12	3155404	20	3155404
16		Wall mounting 4	3	367940	3	367940	3	367940	3	367940
17		Hexagon screw	12	9900218	12	9900218	12	9900218	12	9900218
19		Hexagon screw without shaft	9	9900151	9	9900151	9	9900151	9	9900151
20		Hexagon nut with clamp	9	9910204	9	9910204	9	9910204	9	9910204
21		Mat.-Press. gauge axial 40bar-G1/8"	2	9999364	2	9999364	2	9999364	2	9999364
22		Mat.-Press. gauge seal G1/8"	2	389422	2	389422	2	389422	2	389422
23		Adapter	2	2303295	2	2303295	2	2303295	2	2303295
24		Double connection piece	3	367913	3	367913	3	367913	3	367913
25		Pipe elbow 90 degrees	5	384117	5	384117	5	384117	5	384117
26		Relief valve (Detail see chapter 10.16.14)	3	393042	3	393042	3	393042	3	393042
27		Material filter rotary M16x1.5-PN270	2	139045	2	139045	2	139045	2	139045
28		Screwed connector DF-MM-G1/4" M16x1.5-PN530-SSt	3	350499	3	350499	3	350499	3	350499
29		Hexagon screw without shaft	4	9900111	4	9900111	4	9900111	4	9900111
30		Spring ring	6	9921502	6	9921502	6	9921502	6	9921502
31		Washer 6.4	4	9925031	4	9925031	4	9925031	4	9925031
32		Filling part	1	384329	1	384329	1	384329	1	384329
33		Lock screw	3	104376	3	104376	3	104376	3	104376

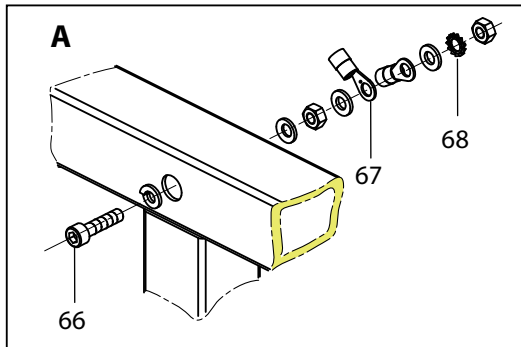
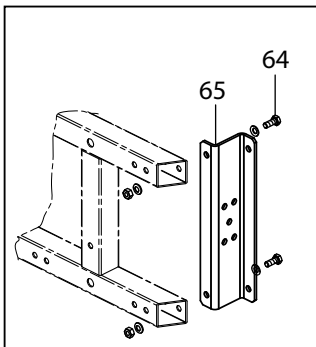
◆ = Wearing parts

**TwinControl 5-60 ABS**





B\_02959



## SPARE PARTS CATALOGUE



Spare parts list TwinControl 5-60 ABS		5-60 Turbine Frame		5-60 Turbine Wall		5-60 Cable Frame		5-60 Cable Wall		
Pos	K	Description	Qty	No.	Qty	No.	Qty	No.	Qty	No.
34		Stopper	3	384323	3	384323	3	384323	3	384323
35		Colour valve Circulation HM 2.6 mm/5 bar/400 bar	2	384194	2	384194	2	384194	2	384194
36		Cheese head screw	4	9900336	4	9900336	4	9900336	4	9900336
37		Double nipple	1	9985720	1	9985720	1	9985720	1	9985720
38		Return check valve	1	9998694	1	9998694	1	9998694	1	9998694
39		Screw in angle	1	9992103	1	9992103	1	9992103	1	9992103
40		Angle screwing in connection	7	9992724	7	9992724	7	9992724	7	9992724
41		Separating fluid supply	1	389264	1	389264	1	389264	1	389264
42		Hexagon nut	1	9913058	1	9913058	1	9913058	1	9913058
43		Hexagon screw without shaft	1	9907250	1	9907250	1	9907250	1	9907250
44		Hexagon screw without shaft	4	9900130	4	9900130	4	9900130	4	9900130
45		Holder valve block	1	393308	1	393308	1	393308	1	393308
46		Mat. Pressure gauge Seal ring G1/4"	1	9970153	1	9970153	1	9970153	1	9970153
47		Mixing tube set 6-32E ST/KS	1	389061	1	389061	1	389061	1	389061
48		Fitting-RF-FM-M16x1.5-G1/4" PN530-SSt	1	2310893	1	2310893	1	2310893	1	2310893
50		Air connection assy.	1	2305082	1	2305082	1	2305082	1	2305082
51		Reducing nipple	5	9985685	5	9985685	5	9985685	5	9985685
52		Screw in angle	5	9998253	5	9998253	5	9998253	5	9998253
53		Holder pressure regulator individually	3	2307568	1	2307568	3	2307568	1	2307568
54		Filter regulator set	1	2301061	1	2301061	1	2301061	1	2301061
55		Holding bracket	1	393306	1	393306	1	393306	1	393306
56		Oval head screw with hexagon	4	9906303	4	9906303	4	9906303	4	9906303
57		Filter regulator set	1	2307459	1	2307459	1	2307459	1	2307459
58		Hose clips	1	9990404	1	9990404	1	9990404	1	9990404
59		Hose nozzle	1	9985619	1	9985619	1	9985619	1	9985619
60		Pneumatic manifold block	1	2302358	1	2302358	1	2302358	1	2302358
61		Hexagon nut	4	9910105	-	-	4	9910105	-	-
62		Castor single	2	9994946	-	-	2	9994946	-	-
63		Castor with double stop	2	9994947	-	-	2	9994947	-	-
64		Hexagon screw M8x20	-	-	4	9900110	-	-	4	9900110
65		Wall angle	-	-	2	2301100	-	-	2	2301100
66		Cheese head screw	2	9900315	2	9900315	2	9900315	2	9900315
67		Cable lug	5	9950604	5	9950604	5	9950604	5	9950604
68		Lock washer outside toothed	2	9922017	2	9922017	2	9922017	2	9922017
69		Earthing cable assy. 3 m; 9.84 ft	1	236219	1	236219	1	236219	1	236219
70		Information plate	1	367805	1	367805	1	367805	1	367805

◆ = Wearing parts

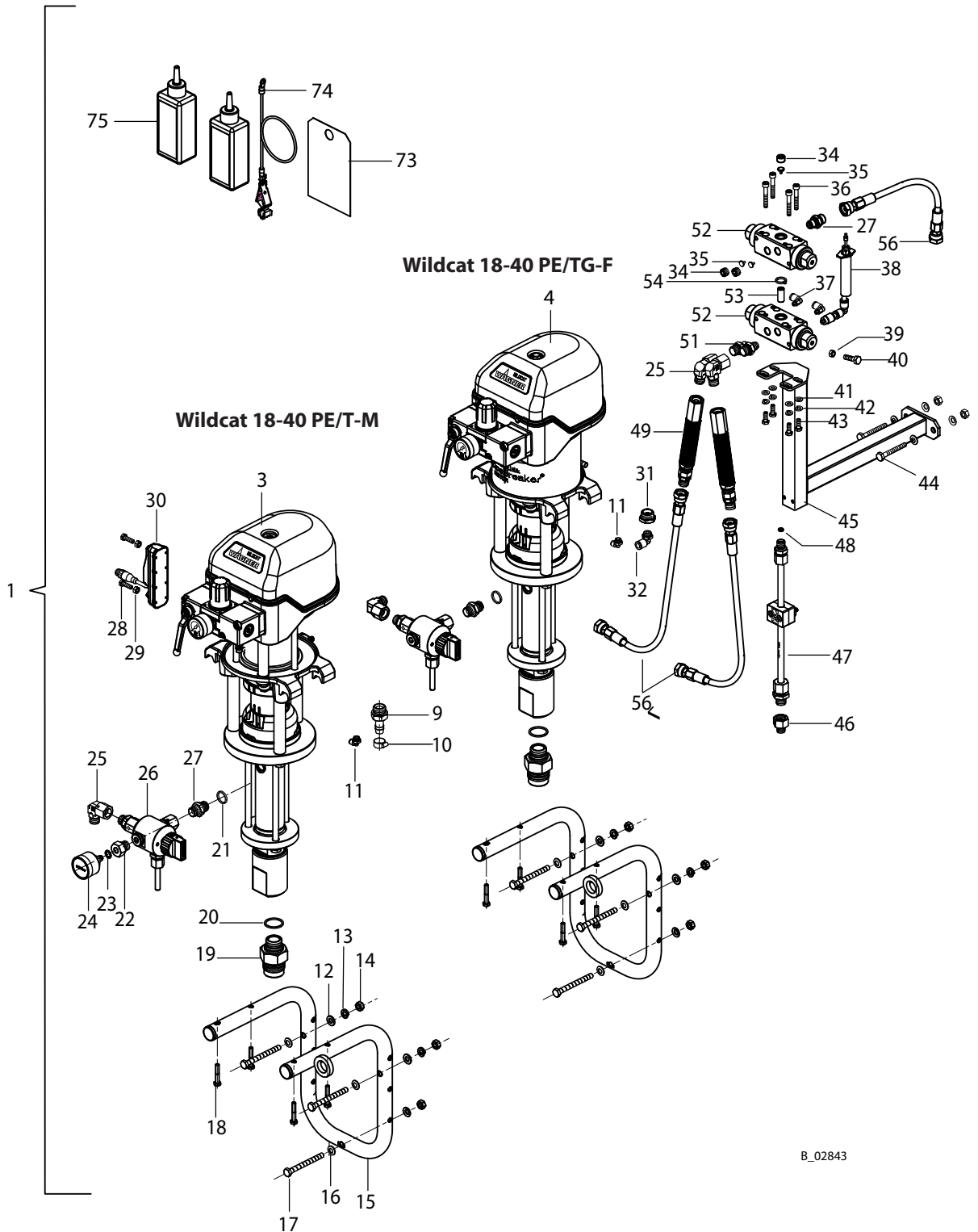


## 11.2 BASIC UNIT TWINCONTROL 18-40 ABS

Spare parts list TwinControl 18-40 ABS		18-40 Turbine Base frame		18-40 Turbine Wall		18-40 Cable Base frame		18-40 Cable Wall		
Pos	K	Description	Qty	No.	Qty	No.	Qty	No.	Qty	No.
1		TwinControl 18-40 ABS	1	393126	1	393124	1	393127	1	393125
2		Wildcat 18-40 PE/TG-M	1	2307753	1	2307753	1	2307753	1	2307753
3		Wildcat 18-40 PE/T-M	1	2307755	1	2307755	1	2307755	1	2307755
4		Wildcat 18-40 PE/TG-F	1	2307783	1	2307783	1	2307783	1	2307783
5		Control unit assy.TC1 turbine	1	2304936	1	2304936	1	2304937	1	2304937
6		Stand assy.	1	393001	-	-	1	393001	-	-
7		Holder	1	393301	1	393301	1	393301	1	393301
8		Mounting control unit assy.	1	393005	1	393005	1	393005	1	393005
9		Hose nozzle	2	9985619	2	9985619	2	9985619	2	9985619
10		Hose clips	5	9990404	5	9990404	5	9990404	5	9990404
11		Angle screwing in connection	3	9999066	3	9999066	3	9999066	3	9999066
12		Washer	18	9920102	18	9920102	18	9920102	18	9920102
13		Spring ring	6	9921501	6	9921501	6	9921501	6	9921501
14		Hexagon nut	11	9910107	11	9910107	11	9910107	11	9910107
15		Wall holder 4	3	367940	3	367940	3	367940	3	367940
16		Contact washer	12	3155404	12	3155404	12	3155404	12	3155404
17		Hexagonal screw without shank	9	9900151	9	9900151	9	9900151	9	9900151
18		Hexagon screw	12	9900218	12	9900218	12	9900218	12	9900218
19		Double nipple G3/4"	3	367958	3	367958	3	367958	3	367958
20	◆	Sealing ring	3	9974109	3	9974109	3	9974109	3	9974109
21	◆	Sealing ring	3	9925024	3	9925024	3	9925024	3	9925024
22		Adapter	2	2303295	2	2303295	2	2303295	2	2303295
23		Manometer sealing ring 1/8"	2	389422	2	389422	2	389422	2	389422
24	◆	Pressure gauge 0-25 MPa; 0-250 bar; 0-3626 psi	2	9999365	2	9999365	2	9999365	2	9999365
25		Pipe elbow 90 degree	5	384117	5	384117	5	384117	5	384117
26		Relief valve	3	393042	3	393042	3	393042	3	393042
27		Double connection	3	367913	3	367913	3	367913	3	367913
28		Hexagonal screw without shank	4	9907205	4	9907205	4	9907205	4	9907205
29		Hexagon nut	8	9910102	8	9910102	8	9910102	8	9910102
30	◆	Stroke measurement 1	2	2305981	2	2305981	2	2305981	2	2305981
31		Reducing nipple	1	9985685	1	9985685	1	9985685	1	9985685
32		Screw in angle	1	9998253	1	9998253	1	9998253	1	9998253
34		Lock screw	3	104376	3	104376	3	104376	3	104376

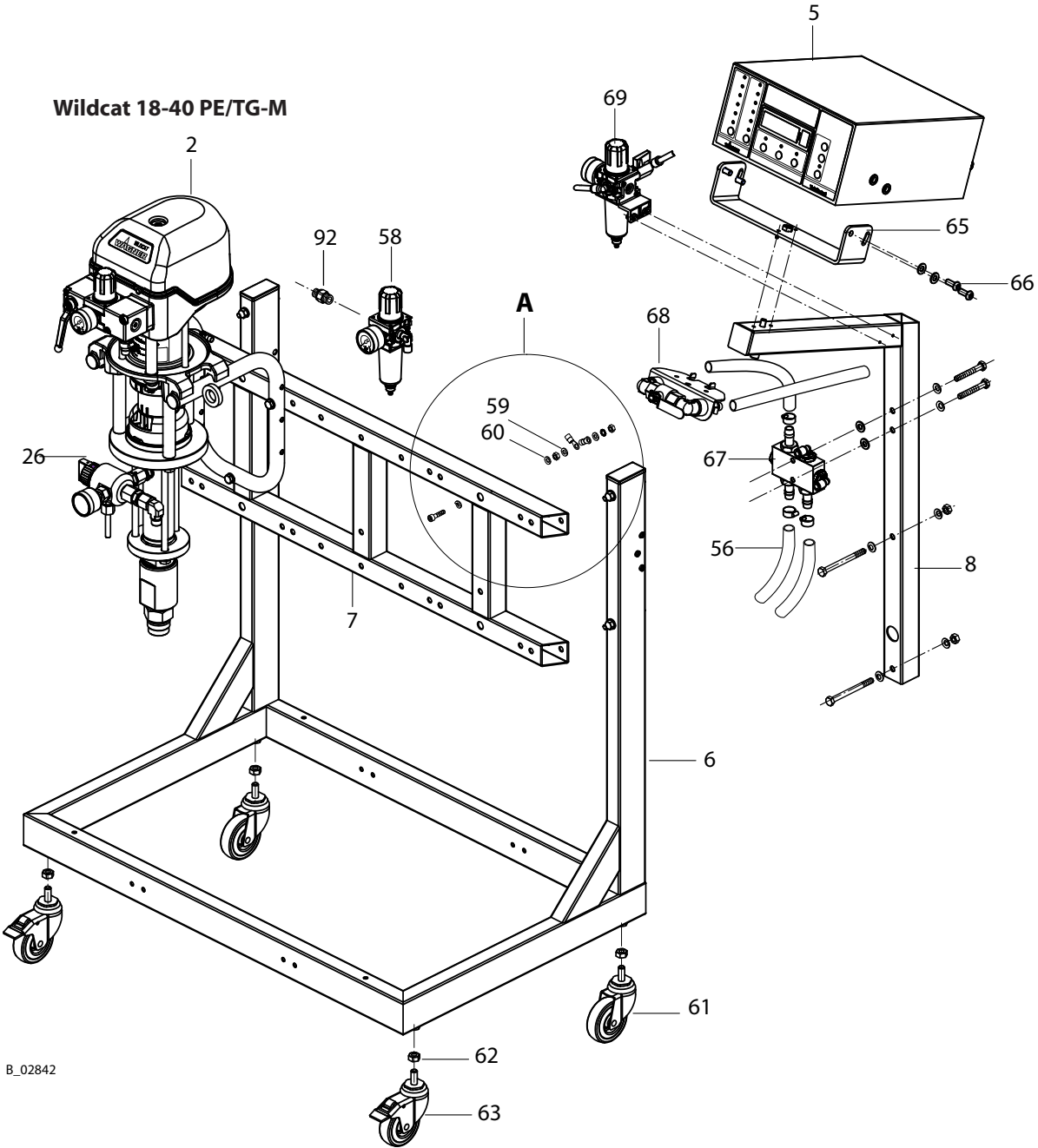
◆ = Wearing parts

**TwinControl 18-40 ABS**

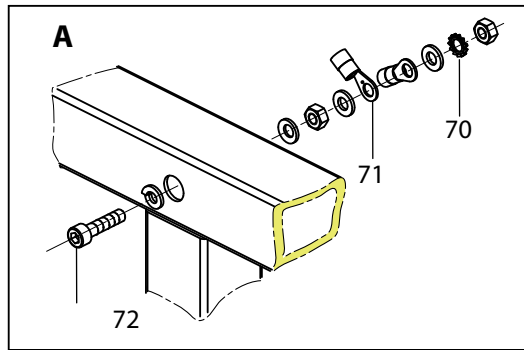
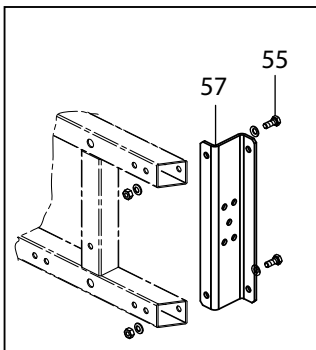


B\_02843

**Wildcat 18-40 PE/TG-M**



B\_02842



Spare parts list TwinControl 18-40 ABS			18-40 Turbine Base frame		18-40 Turbine Wall		18-40 Cable Base frame		18-40 Cable Wall	
Pos	K	Description	Qty	No.	Qty	No.	Qty	No.	Qty	No.
35		Stopper	3	384323	3	384323	3	384323	3	384323
36		Cheese head screw with hexagon	4	9900336	4	9900336	4	9900336	4	9900336
37		Angle screwing in connection	3	9992724	3	9992724	3	9992724	3	9992724
38	◆	Separating fluid delivery	1	389064	1	389064	1	389064	1	389064
39		Hexagon nut	1	9913058	1	9913058	1	9913058	1	9913058
40		Hexagonal screw without shank	1	9907250	1	9907250	1	9907250	1	9907250
41		Washer 6.4	4	9925031	4	9925031	4	9925031	4	9925031
42		Spring ring	6	9921502	6	9921502	6	9921502	6	9921502
43		Hexagonal screw without shank	4	9900111	4	9900111	4	9900111	4	9900111
44		Hexagonal screw without shank	4	9900130	4	9900130	4	9900130	4	9900130
45		Mounting valve block	1	393308	1	393308	1	393308	1	393308
46		Adapter	1	384555	1	384555	1	384555	1	384555
47	◆	Mixing tube set 6-32E ST/KS	1	389061	1	389061	1	389061	1	389061
48	◆	Sealing ring	1	9970153	1	9970153	1	9970153	1	9970153
49		In line filter assy.	2	139045	2	139045	2	139045	2	139045
51		Screwed connector	3	350499	3	350499	3	350499	3	350499
52		Colour change valve circulation assy. (Spare parts in addition are to be found in the manual with the order number 384880)	2	384194	2	384194	2	384194	2	384194
53	◆	Fill part	1	384329	1	384329	1	384329	1	384329
54	◆	O-ring	1	9974164	1	9974164	1	9974164	1	9974164
55		Hexagon screw M8x20	-	-	4	9900110	-	-	4	9900110
56	◆	High pressure hose DN 6-ND270	3	9987084	3	9987084	3	9987084	3	9987084
57		Wall angle	-	-	2	2301100	-	-	2	2301100
58		Filter pressure regulator assy.	1	367187	1	367187	1	367187	1	367187
59		Washer	4	9920103	4	9920103	4	9920103	4	9920103
60		Contact washer	2	3155401	2	3155401	2	3155401	2	3155401
61	◆	Castor single	2	9994946	-	-	2	9994946	-	-
62		Hexagon nut	4	9910105	-	-	4	9910105	-	-
63	◆	Castor with double stop	2	9994947	-	-	2	9994947	-	-
64	◆	Hose 2 m; 6.56 ft	1	2307791	1	2307791	1	2307791	1	2307791
65		Holding bracket	1	393306	1	393306	1	393306	1	393306
66		Oval head screw with hexagon	4	9906303	4	9906303	4	9906303	4	9906303
67		Air manifold	1	2302357	1	2302357	1	2302357	1	2302357

◆ = Wearing parts

Spare parts list TwinControl 18-40 ABS			18-40 Turbine Base frame		18-40 Turbine Wall		18-40 Cable Base frame		18-40 Cable Wall	
Pos	K	Description	Qty	No.	Qty	No.	Qty	No.	Qty	No.
68		Air connection assy.	1	2305082	1	2305082	1	2305082	1	2305082
69		Filter regulator set	1	2301061	1	2301061	1	2301061	1	2301061
70		Lock washer outside toothed	2	9922017	2	9922017	2	9922017	2	9922017
71		Cable lug	8	9950604	8	9950604	8	9950604	8	9950604
72		Cheese head screw with hexagon	2	9900315	2	9900315	2	9900315	2	9900315
73		Information plate	1	367805	1	367805	1	367805	1	367805
74		Earthing cable assy. 3 m; 9.84 ft	1	236219	1	236219	1	236219	1	236219
75	◆	Separating fluid 250 ml	2	9992504	2	9992504	2	9992504	2	9992504
		Y- plug connection	1	3159464	1	3159464	1	3159464	1	3159464
		Straight reduction	1	3151777	1	3151777	1	3151777	1	3151777
		Manometer sealing ring 1/8"	2	389422	2	389422	2	389422	2	389422
		Hexagonal screw without shank	1	9907250	1	9907250	1	9907250	1	9907250
		Hexagon nut	1	9913058	1	9913058	1	9913058	1	9913058
		Cable lug with isolation	4	2305661	4	2305661	4	2305661	4	2305661

◆ = Wearing parts

### 11.3 BASIC UNIT TWINCONTROL 28-40 ABS

Spare parts list TwinControl 28-40 ABS		28-40 Turbine Base frame		28-40 Turbine Wall		28-40 Cable Base frame		28-40 Cable Wall		
Pos	K	Description	Qty	No.	Qty	No.	Qty	No.	Qty	No.
1		TwinControl 28-40 ABS	1	393130	1	393128	1	393131	1	393129
2		Puma 28-40 PE/TG-M	1	2307766	1	2307766	1	2307766	1	2307766
3		Puma 28-40 PE/T-M	1	2307771	1	2307771	1	2307771	1	2307771
4		Puma 28-40 PE/TG-F	1	2307781	1	2307781	1	2307781	1	2307781
5		Control unit assy.TC1 turbine	1	2304936	1	2304936	1	2304937	1	2304937
6		Stand assy.	1	393001	-	-	1	393001	-	-
7		Holder	1	393301	1	393301	1	393301	1	393301
8		Mounting control unit assy.	1	393005	1	393005	1	393005	1	393005
9		Hose nozzle	2	9985619	2	9985619	2	9985619	2	9985619
10		Hose clips	5	9990404	5	9990404	5	9990404	5	9990404
11		Angle screwing in connection	3	9999066	3	9999066	3	9999066	3	9999066
12		Washer	18	9920102	18	9920102	18	9920102	18	9920102
13		Spring ring	6	9921501	6	9921501	6	9921501	6	9921501
14		Hexagon nut	11	9910107	11	9910107	11	9910107	11	9910107
15		Wall holder 4	3	367940	3	367940	3	367940	3	367940
16		Contact washer	12	3155404	12	3155404	12	3155404	12	3155404
17		Hexagonal screw without shank	9	9900151	9	9900151	9	9900151	9	9900151
18		Hexagon screw	12	9900218	12	9900218	12	9900218	12	9900218
19		Double nipple G3/4"	3	367958	3	367958	3	367958	3	367958
20	◆	Sealing ring	3	9974109	3	9974109	3	9974109	3	9974109
21	◆	Sealing ring	3	9925024	3	9925024	3	9925024	3	9925024
22		Adapter	2	2303295	2	2303295	2	2303295	2	2303295
23		Manometer sealing ring 1/8"	2	389422	2	389422	2	389422	2	389422
24	◆	Pressure gauge 0-25 MPa; 0-250 bar; 0-3626 psi	2	9999365	2	9999365	2	9999365	2	9999365
25		Pipe elbow 90 degree	5	384117	5	384117	5	384117	5	384117
26		Relief valve	3	393042	3	393042	3	393042	3	393042
27		Double connection	3	367913	3	367913	3	367913	3	367913
28		Hexagonal screw without shank	4	9907205	4	9907205	4	9907205	4	9907205
29		Hexagon nut	8	9910102	8	9910102	8	9910102	8	9910102
30	◆	Stroke measurement 1	2	2305981	2	2305981	2	2305981	2	2305981
31		Reducing nipple	1	9985685	1	9985685	1	9985685	1	9985685
32		Screw in angle	1	9998253	1	9998253	1	9998253	1	9998253
34		Lock screw	3	104376	3	104376	3	104376	3	104376

◆ = Wearing parts

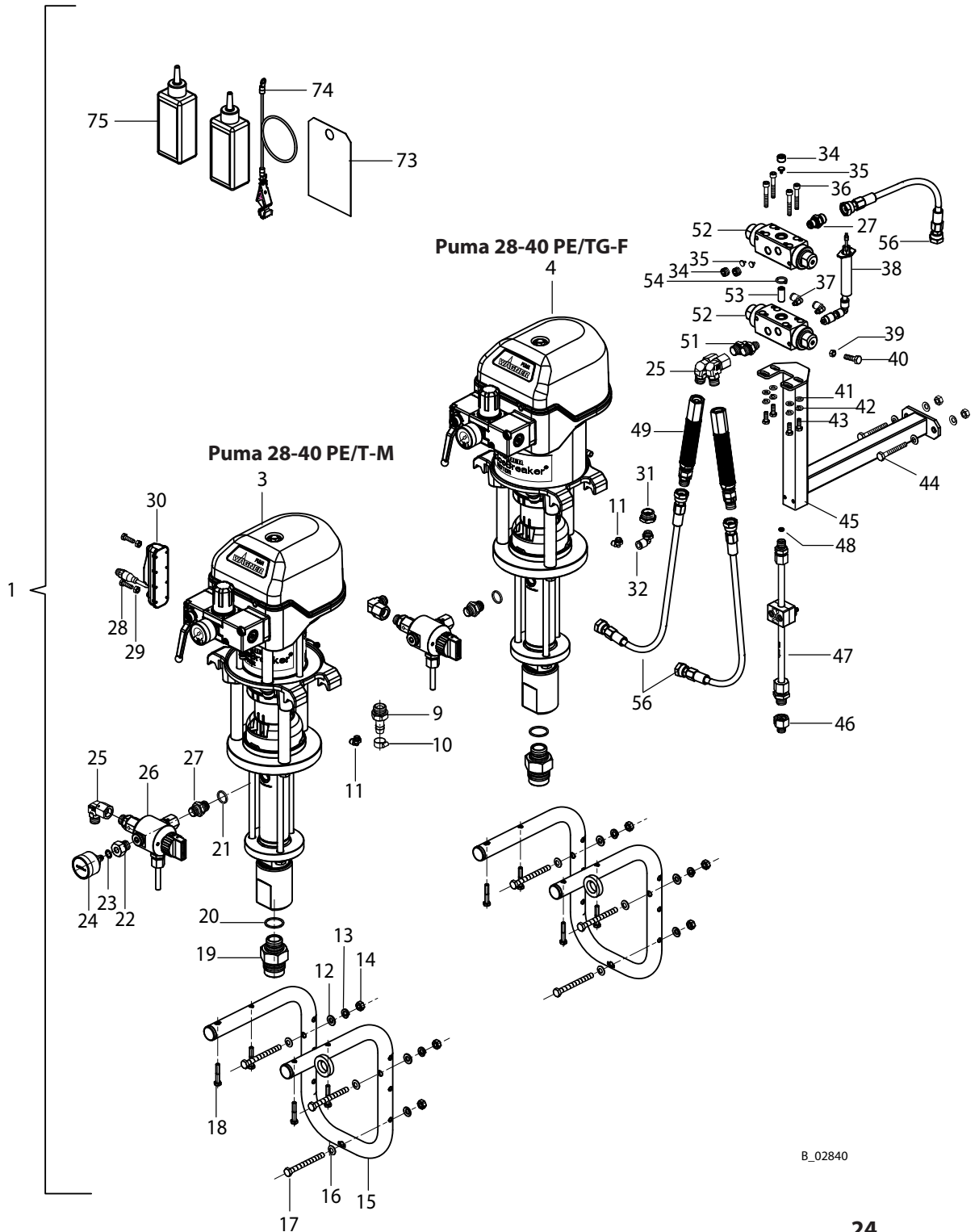
## SPARE PARTS CATALOGUE



Spare parts list TwinControl 28-40 ABS		28-40 Turbine Base frame		28-40 Turbine Wall		28-40 Cable Base frame		28-40 Cable Wall		
Pos	K	Description	Qty	No.	Qty	No.	Qty	No.	Qty	No.
35		Stopper	3	384323	3	384323	3	384323	3	384323
36		Cheese head screw with hexagon	4	9900336	4	9900336	4	9900336	4	9900336
37		Angle screwing in connection	3	9992724	3	9992724	3	9992724	3	9992724
38	◆	Separating fluid delivery	1	389064	1	389064	1	389064	1	389064
39		Hexagon nut	1	9913058	1	9913058	1	9913058	1	9913058
40		Hexagonal screw without shank	1	9907250	1	9907250	1	9907250	1	9907250
41		Washer 6.4	4	9925031	4	9925031	4	9925031	4	9925031
42		Spring ring	6	9921502	6	9921502	6	9921502	6	9921502
43		Hexagonal screw without shank	4	9900111	4	9900111	4	9900111	4	9900111
44		Hexagonal screw without shank	4	9900130	4	9900130	4	9900130	4	9900130
45		Mounting valve block	1	393308	1	393308	1	393308	1	393308
46		Adapter	1	384555	1	384555	1	384555	1	384555
47	◆	Mixing tube set 6-32E ST/KS	1	389061	1	389061	1	389061	1	389061
48	◆	Sealing ring	1	9970153	1	9970153	1	9970153	1	9970153
49		In line filter assy.	2	139045	2	139045	2	139045	2	139045
51		Screwed connector	3	350499	3	350499	3	350499	3	350499
52		Colour change valve circulation assy.	2	384194	2	384194	2	384194	2	384194
53	◆	Fill part	1	384329	1	384329	1	384329	1	384329
54	◆	O-ring	1	9974164	1	9974164	1	9974164	1	9974164
55		Hexagon screw M8x20	-	-	4	9900110	-	-	4	9900110
56	◆	High pressure hose DN 6-ND270	3	9987084	3	9987084	3	9987084	3	9987084
57		Wall angle	-	-	2	2301100	-	-	2	2301100
58		Filter pressure regulator assy.	1	367187	1	367187	1	367187	1	367187
59		Washer	4	9920103	4	9920103	4	9920103	4	9920103
60		Contact washer	2	3155401	2	3155401	2	3155401	2	3155401
61	◆	Castor single	2	9994946	-	-	2	9994946	-	-
62		Hexagon nut	4	9910105	-	-	4	9910105	-	-
63	◆	Castor with double stop	2	9994947	-	-	2	9994947	-	-
64	◆	Hose 2 m; 6.56 ft	1	2307791	1	2307791	1	2307791	1	2307791
65		Holding bracket	1	393306	1	393306	1	393306	1	393306
66		Oval head screw with hexagon	4	9906303	4	9906303	4	9906303	4	9906303
67		Air manifold	1	2302357	1	2302357	1	2302357	1	2302357
68		Air connection assy.	1	2305082	1	2305082	1	2305082	1	2305082

◆ = Wearing parts

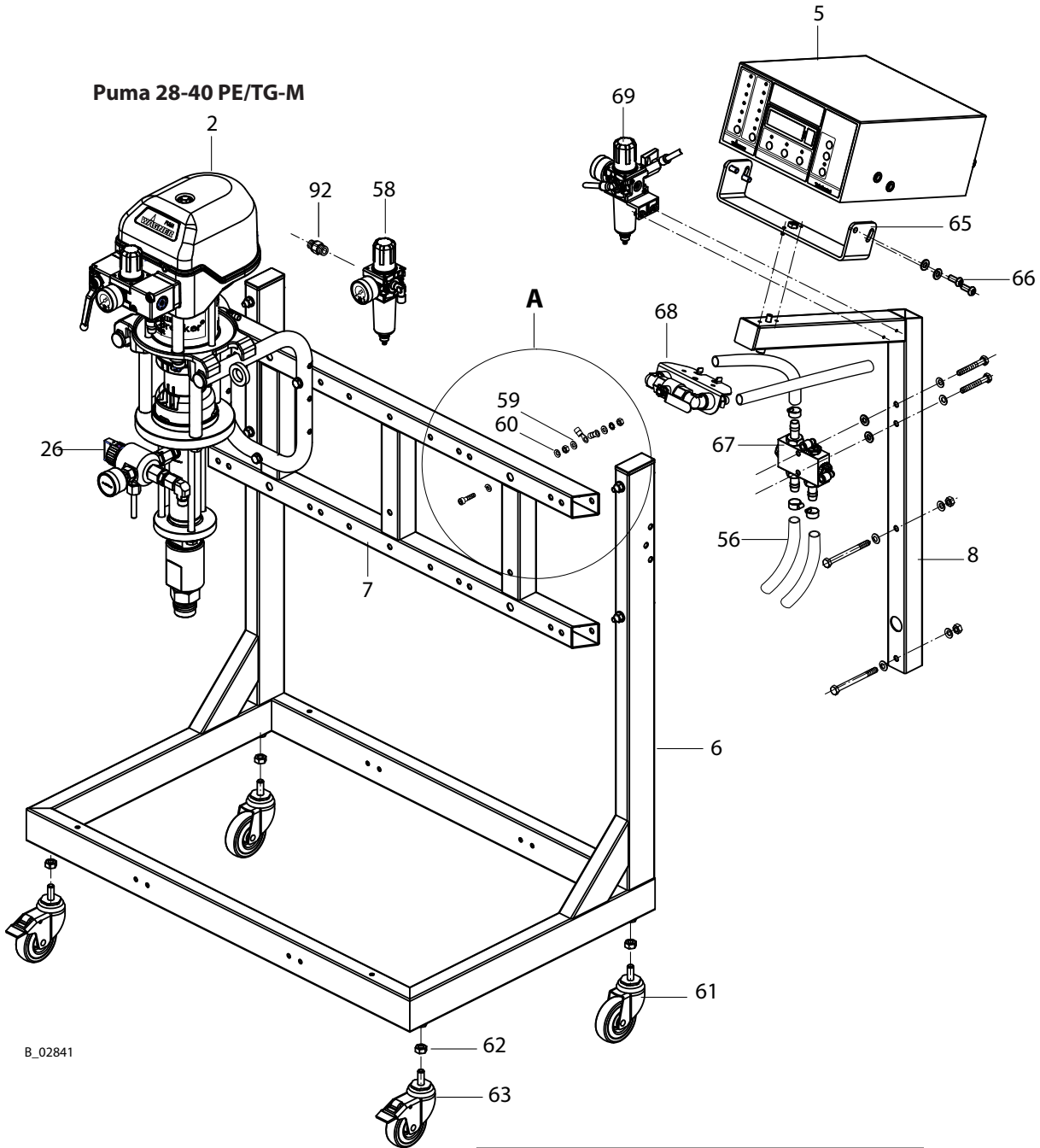
**TwinControl 28-40 ABS**



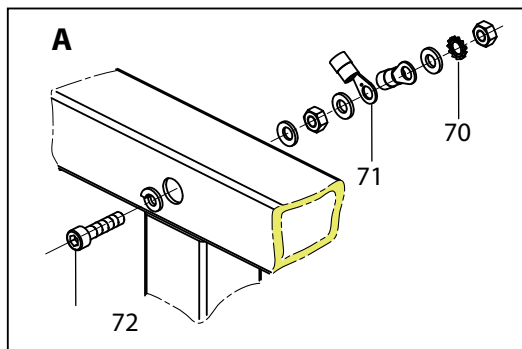
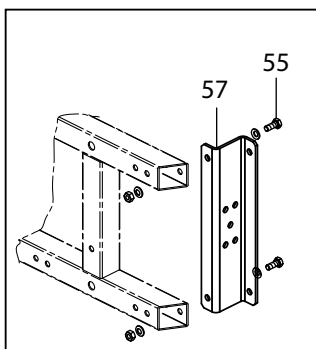
B\_02840



**Puma 28-40 PE/TG-M**



B\_02841



Spare parts list TwinControl 28-40 ABS			28-40 Turbine Base frame		28-40 Turbine Wall		28-40 Cable Base frame		28-40 Cable Wall	
Pos	K	Description	Qty	No.	Qty	No.	Qty	No.	Qty	No.
69		Filter regulator set	1	2301061	1	2301061	1	2301061	1	2301061
70		Lock washer outside toothed	2	9922017	2	9922017	2	9922017	2	9922017
71		Cable lug	8	9950604	8	9950604	8	9950604	8	9950604
72		Cheese head screw with hexagon	2	9900315	2	9900315	2	9900315	2	9900315
73		Information plate	1	367805	1	367805	1	367805	1	367805
74		Earthing cable assy. 3 m; 9.84 ft	1	236219	1	236219	1	236219	1	236219
75	◆	Separating fluid 250 ml	2	9992504	2	9992504	2	9992504	2	9992504
		Y- plug connection	1	3159464	1	3159464	1	3159464	1	3159464
		Straight reduction	1	3151777	1	3151777	1	3151777	1	3151777
		Manometer sealing ring 1/8"	2	389422	2	389422	2	389422	2	389422
		Hexagonal screw without shank	1	9907250	1	9907250	1	9907250	1	9907250
		Hexagon nut	1	9913058	1	9913058	1	9913058	1	9913058
		Cable lug with isolation	4	2305661	4	2305661	4	2305661	4	2305661

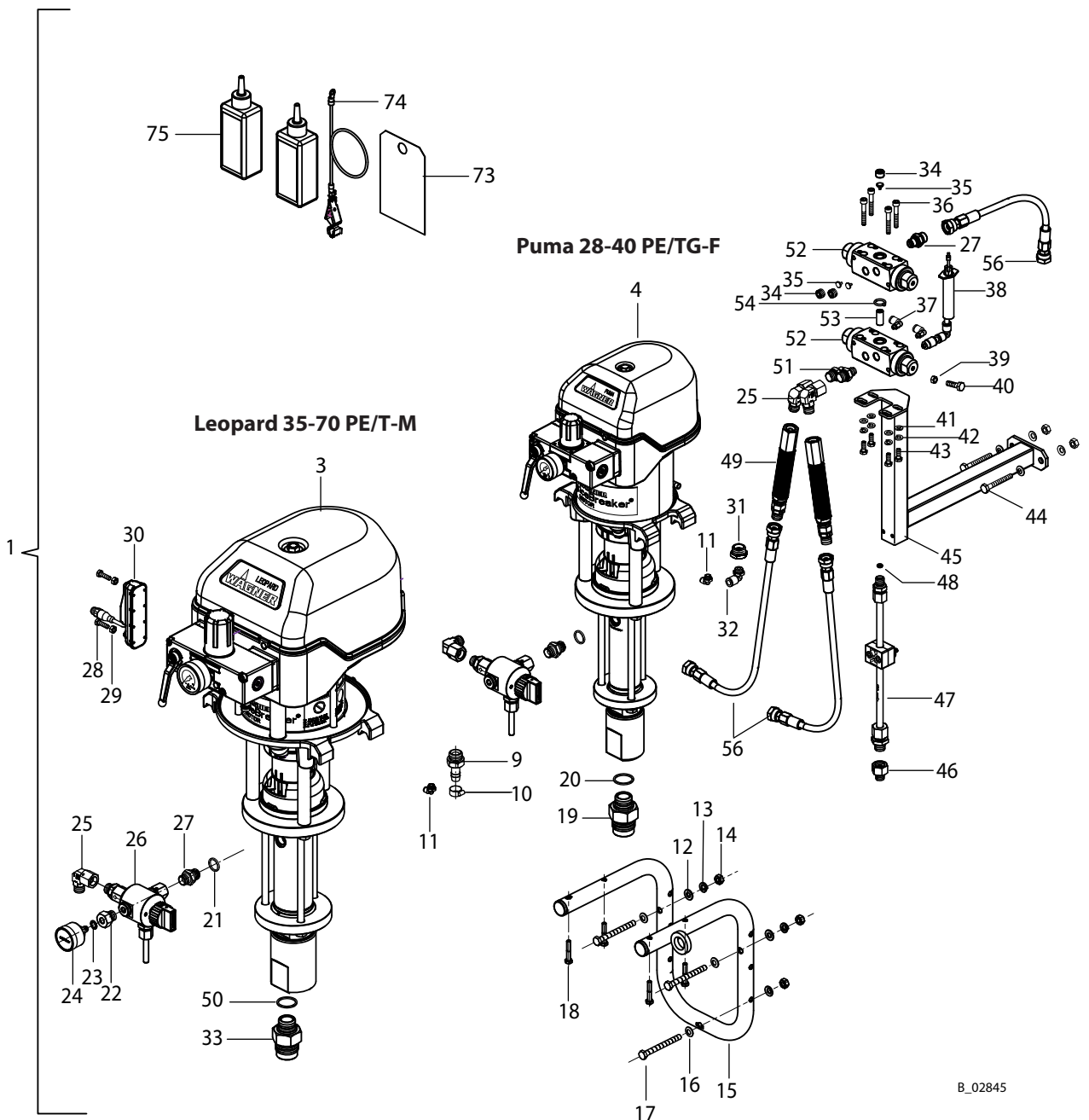
◆ = Wearing parts

## 11.4 BASIC UNIT TWINCONTROL 35-70 ABS

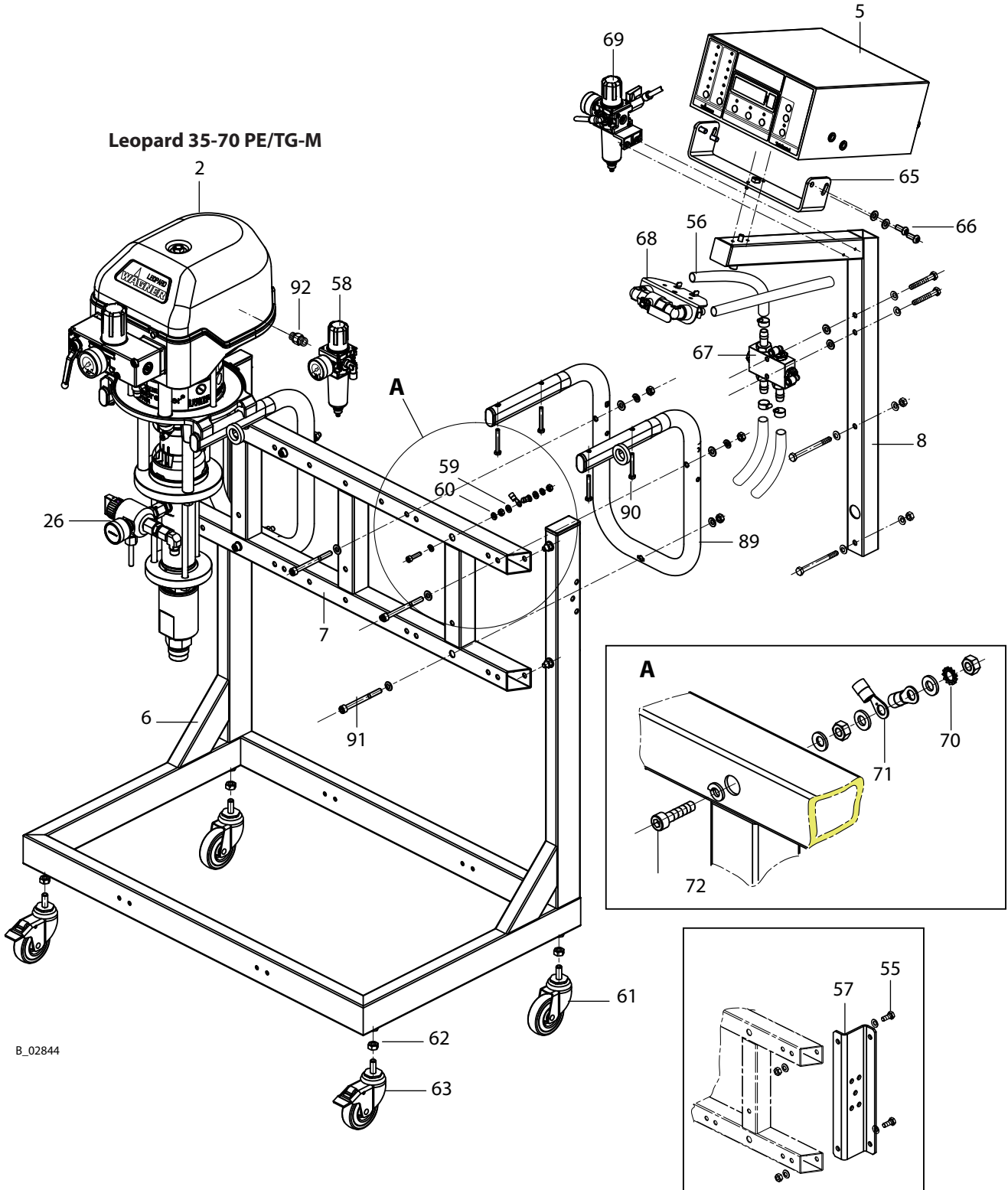
Spare parts list TwinControl 35-70 ABS		35-70 Turbine Base frame		35-70 Turbine Wall		35-70 Cable Base frame		35-70 Cable Wall		
Pos	K	Description	Qty	No.	Qty	No.	Qty	No.	Qty	No.
1		TwinControl 35-70 ABS	1	393134	1	393132	1	393135	1	393133
2		Leopard 35-70 PE/TG-M	1	2307769	1	2307769	1	2307769	1	2307769
3		Leopard 35-70 PE/T-M	1	2307770	1	2307770	1	2307770	1	2307770
4		Puma 28-40 PE/TG-F	1	2307781	1	2307781	1	2307781	1	2307781
5		Control unit assy.TC1	1	2304936	1	2304936	1	2304937	1	2304937
6		Stand assy.	1	393001	-	-	1	393001	-	-
7		Holder	1	393301	1	393301	1	393301	1	393301
8		Mounting control unit assy.	1	393005	1	393005	1	393005	1	393005
9		Hose nozzle	2	9985619	2	9985619	2	9985619	2	9985619
10		Hose clips	5	9990404	5	9990404	5	9990404	5	9990404
11		Angle screwing in connection	3	9999066	3	9999066	3	9999066	3	9999066
12		Washer	18	9920102	18	9920102	18	9920102	18	9920102
13		Spring ring	6	9921501	6	9921501	6	9921501	6	9921501
14		Hexagon nut	11	9910107	11	9910107	11	9910107	11	9910107
15		Wall holder 4	1	367940	1	367940	1	367940	1	367940
16		Contact washer	12	3155404	12	3155404	12	3155404	12	3155404
17		Hexagonal screw without shank	3	9900151	3	9900151	3	9900151	3	9900151
18		Hexagon screw	4	9900218	4	9900218	4	9900218	4	9900218
19		Double nipple G3/4"	1	367958	1	367958	1	367958	1	367958
20	◆	Sealing ring	1	9974109	1	9974109	1	9974109	1	9974109
21	◆	Sealing ring	3	9925024	3	9925024	3	9925024	3	9925024
22		Adapter	2	2303295	2	2303295	2	2303295	2	2303295
23		Manometer sealing ring 1/8"	2	389422	2	389422	2	389422	2	389422
24	◆	Pressure gauge 0-25 MPa; 0-250 bar; 0-3626 psi	2	9999365	2	9999365	2	9999365	2	9999365
25		Pipe elbow 90 degree	5	384117	5	384117	5	384117	5	384117
26		Relief valve	3	393042	3	393042	3	393042	3	393042
27		Double connection	3	367913	3	367913	3	367913	3	367913
28		Hexagonal screw without shank	4	9907199	4	9907199	4	9907199	4	9907199
29		Hexagon nut	8	9910102	8	9910102	8	9910102	8	9910102
30	◆	Stroke measurement 1	2	2305981	2	2305981	2	2305981	2	2305981
31		Reducing nipple	1	9985685	1	9985685	1	9985685	1	9985685
32		Screw in angle	1	9998253	1	9998253	1	9998253	1	9998253
33		Reducing double nipple with 1x40°	2	368958	2	368958	2	368958	2	368958

◆ = Wearing parts

**TwinControl 35-70 ABS**



B\_02845



B\_02844

Spare parts list TwinControl 35-70 ABS			35-70 Turbine Base frame		35-70 Turbine Wall		35-70 Cable Base frame		35-70 Cable Wall	
Pos	K	Description	Qty	No.	Qty	No.	Qty	No.	Qty	No.
34		Lock screw	3	104376	3	104376	3	104376	3	104376
35		Stopper	3	384323	3	384323	3	384323	3	384323
36		Cheese head screw with hexagon	4	9900336	4	9900336	4	9900336	4	9900336
37		Angle screwing in connection	3	9992724	3	9992724	3	9992724	3	9992724
38	◆	Separating fluid delivery	1	389064	1	389064	1	389064	1	389064
39		Hexagon nut	1	9913058	1	9913058	1	9913058	1	9913058
40		Hexagonal screw without shank	1	9907250	1	9907250	1	9907250	1	9907250
41		Washer 6.4	4	9925031	4	9925031	4	9925031	4	9925031
42		Spring ring	6	9921502	6	9921502	6	9921502	6	9921502
43		Hexagonal screw without shank	4	9900111	4	9900111	4	9900111	4	9900111
44		Hexagonal screw without shank	4	9900130	4	9900130	4	9900130	4	9900130
45		Mounting valve block	1	393308	1	393308	1	393308	1	393308
46		Adapter	1	384555	1	384555	1	384555	1	384555
47	◆	Mixing tube set 6-32E ST/KS	1	389061	1	389061	1	389061	1	389061
48	◆	Sealing ring	1	9970153	1	9970153	1	9970153	1	9970153
49		In line filter assy.	2	139045	2	139045	2	139045	2	139045
50		Sealing ring	2	9974110	2	9974110	2	9974110	2	9974110
51		Screwed connector	3	350499	3	350499	3	350499	3	350499
52		Colour change valve circulation assy.	2	384194	2	384194	2	384194	2	384194
53		Fill part	1	384329	1	384329	1	384329	1	384329
54		O-ring	1	9974164	1	9974164	1	9974164	1	9974164
55		Hexagon screw M8x20	-	-	4	9900110	-	-	4	9900110
56	◆	High pressure hose DN 6-ND270	3	9987084	3	9987084	3	9987084	3	9987084
57		Wall angle	-	-	2	2301100	-	-	2	2301100
58		Filter pressure regulator assy.	1	367187	1	367187	1	367187	1	367187
59		Washer	4	9920103	4	9920103	4	9920103	4	9920103
60		Contact washer	2	3155401	2	3155401	2	3155401	2	3155401
61	◆	Castor single	2	9994946	-	-	2	9994946	-	-
62		Hexagon nut	4	9910105	-	-	4	9910105	-	-
63	◆	Castor with double stop	2	9994947	-	-	2	9994947	-	-
64	◆	Hose 2 m; 6.56 ft	1	2307791	1	2307791	1	2307791	1	2307791
65		Holding bracket	1	393306	1	393306	1	393306	1	393306
66		Oval head screw with hexagon	4	9906303	4	9906303	4	9906303	4	9906303

◆ = Wearing parts

Spare parts list TwinControl 35-70 ABS			35-70 Turbine Base frame		35-70 Turbine Wall		35-70 Cable Base frame		35-70 Cable Wall	
Pos	K	Description	Qty	No.	Qty	No.	Qty	No.	Qty	No.
67		Air manifold	1	2302357	1	2302357	1	2302357	1	2302357
68		Air connection assy.	1	2305082	1	2305082	1	2305082	1	2305082
69		Filter regulator set	1	2301061	1	2301061	1	2301061	1	2301061
70		Lock washer outside toothed	2	9922017	2	9922017	2	9922017	2	9922017
71		Cable lug	8	9950604	8	9950604	8	9950604	8	9950604
72		Cheese head screw with hexagon	2	9900315	2	9900315	2	9900315	2	9900315
73		Information plate	1	367805	1	367805	1	367805	1	367805
74		Earthing cable assy. 3 m; 9.84 ft	1	236219	1	236219	1	236219	1	236219
75	◆	Separating fluid 250 ml	2	9992504	2	9992504	2	9992504	2	9992504
76		Y- plug connection	1	3159464	1	3159464	1	3159464	1	3159464
77		Straight reduction	1	3151777	1	3151777	1	3151777	1	3151777
78		Manometer sealing ring 1/8"	2	389422	2	389422	2	389422	2	389422
86		Hexagonal screw without shank	1	9907250	1	9907250	1	9907250	1	9907250
87		Hexagon nut	1	9913058	1	9913058	1	9913058	1	9913058
88		Cable lug with isolation	4	2305661	4	2305661	4	2305661	4	2305661
89		Mounting for wall 6	2	368940	2	368940	2	368940	2	368940
90		Hexagonal screw with shank	8	9900126	8	9900126	8	9900126	8	9900126
91		Cheese head screw with hexagon	6	9907078	6	9907078	6	9907078	6	9907078
92		Double nipple R1/4"- R1/4"	1	9994627	1	9994627	1	9994627	1	9994627

◆ = Wearing parts

### 11.5 BASIC UNIT TWINCONTROL 35-150/70 ABS BASE FRAME

Spare parts list TwinControl 35-150/70 ABS		35-150/70 Turbine Base frame		35-150/70 Cable Base frame		
Pos	K	Description	Qty	No.	Qty	No.
1		TwinControl 35-150/70 ABS	1	393137	1	393138
2		Leopard 35-150 PE/TG-M	1	2307784	1	2307784
3		Leopard 35-70 PE/T-M	1	2307770	1	2307770
4		Puma 28-40 PE/TG-F	1	2307781	1	2307781
5		Control unit assy.TC1	1	2304936	1	2304937
6		Stand assy.	1	393001	1	393001
7		Holder	1	393301	1	393301
8		Mounting control unit assy.	1	393005	1	393005
9		Hose nozzle	2	9985619	2	9985619
10		Hose clips	5	9990404	5	9990404
11		Angle screwing in connection	3	9999066	3	9999066
12		Washer	18	9920102	18	9920102
13		Spring ring	6	9921501	6	9921501
14		Hexagon nut	11	9910107	11	9910107
15		Wall holder 4	1	367940	1	367940
16		Contact washer	12	3155404	12	3155404
17		Hexagonal screw without shank	3	9900151	3	9900151
18		Hexagon screw	4	9900218	4	9900218
19		Double nipple G3/4"	1	367958	1	367958
20	◆	Sealing ring	1	9974109	1	9974109
21	◆	Sealing ring	3	9925024	3	9925024
22		Adapter	2	2303295	2	2303295
23		Manometer sealing ring 1/8"	2	389422	2	389422
24	◆	Pressure gauge 0-25 MPa; 0-250 bar; 0-3626 psi	2	9999365	2	9999365
25		Pipe elbow 90 degree	5	384117	5	384117
26		Relief valve	3	393042	3	393042
27		Double connection	3	367913	3	367913
28		Hexagonal screw without shank	4	9907199	4	9907199
29		Hexagon nut	8	9910102	8	9910102
30	◆	Stroke measurement 1	1	2305981	1	2305981
31		Reducing nipple	1	9985685	1	9985685
32		Screw in angle	1	9998253	1	9998253
33		Reducing double nipple with 1 x 40°	2	368958	2	368958

◆ = Wearing parts

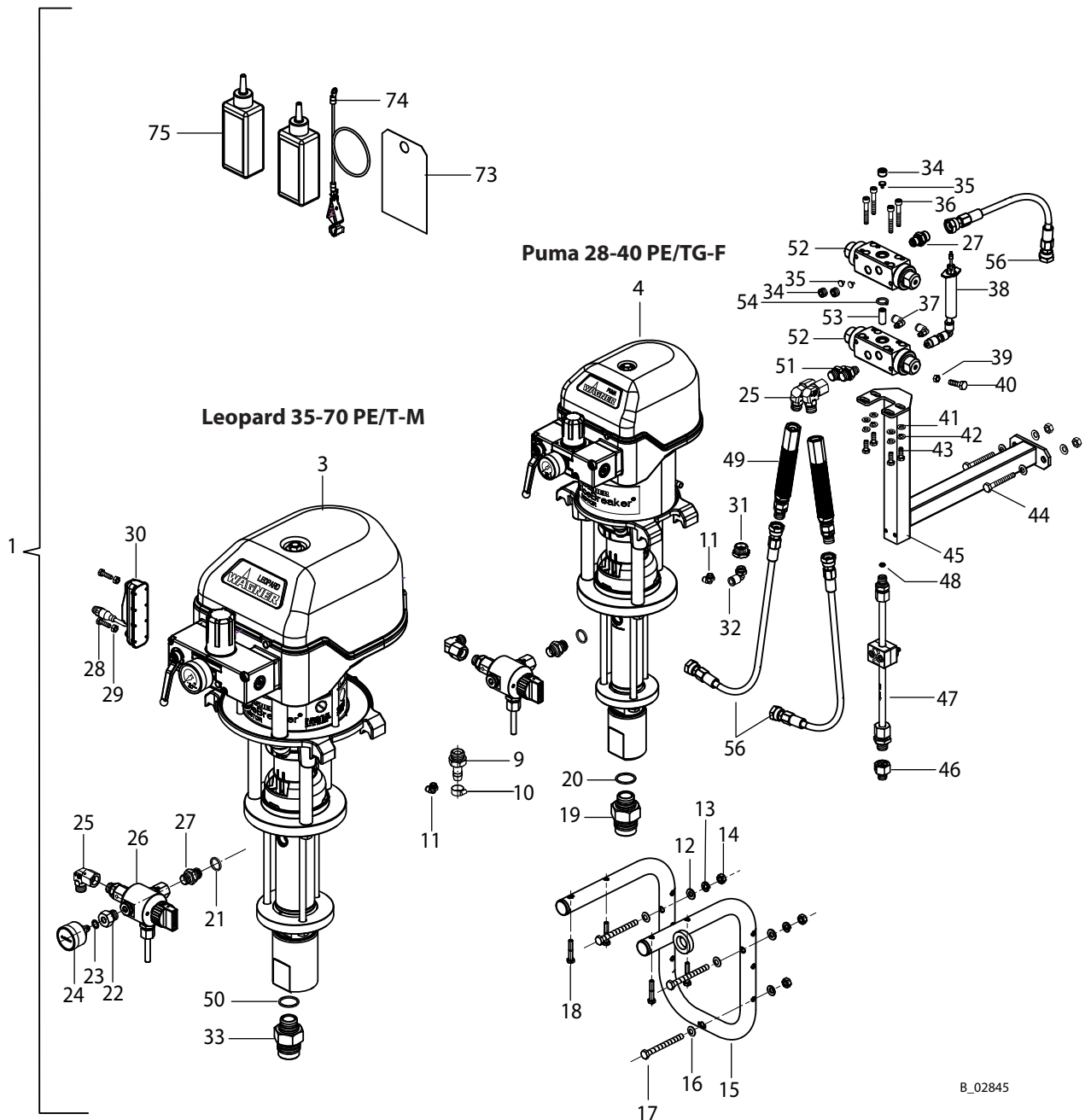


Spare parts list TwinControl 35-150/70 ABS			35-150/70 Turbine Base frame		35-150/70 Cable Base frame	
Pos	K	Description	Qty	No.	Qty	No.
34		Lock screw	3	104376	3	104376
35		Stopper	3	384323	3	384323
36		Cheese head screw with hexagon	4	9900336	4	9900336
37		Angle screwing in connection	3	9992724	3	9992724
38	◆	Separating fluid delivery	1	389064	1	389064
39		Hexagon nut	1	9913058	1	9913058
40		Hexagonal screw without shank	1	9907250	1	9907250
41		Washer 6.4	4	9925031	4	9925031
42		Spring ring	6	9921502	6	9921502
43		Hexagonal screw without shank	4	9900111	4	9900111
44		Hexagonal screw without shank	4	9900130	4	9900130
45		Mounting valve block	1	393308	1	393308
46		Adapter	1	384555	1	384555
47	◆	Mixing tube set 6-32E ST/KS	1	389061	1	389061
48	◆	Sealing ring	1	9970153	1	9970153
49		In line filter assy.	2	139045	2	139045
50		Sealing ring	2	9974110	2	9974110
51		Screwed connector	3	350499	3	350499
52		Colour change valve circulation assy.	2	384194	2	384194
53	◆	Fill part	1	384329	1	384329
54		O-ring	1	9974164	1	9974164
55		Hexagon screw M8x20	-	-	-	-
56	◆	High pressure hose DN 6-ND270	3	9987084	3	9987084
57		Wall angle	-	-	-	-
58		Filter pressure regulator assy.	1	367187	1	367187
59		Washer	4	9920103	4	9920103
60		Contact washer	2	3155401	2	3155401
61	◆	Castor single	2	9994946	2	9994946
62		Hexagon nut	4	9910105	4	9910105
63	◆	Castor with double stop	2	9994947	2	9994947
64	◆	Hose 2 m; 6.56 ft	1	2307791	1	2307791
65		Holding bracket	1	393306	1	393306
66		Oval head screw with hexagon	4	9906303	4	9906303
67		Air manifold	1	2302357	1	2302357

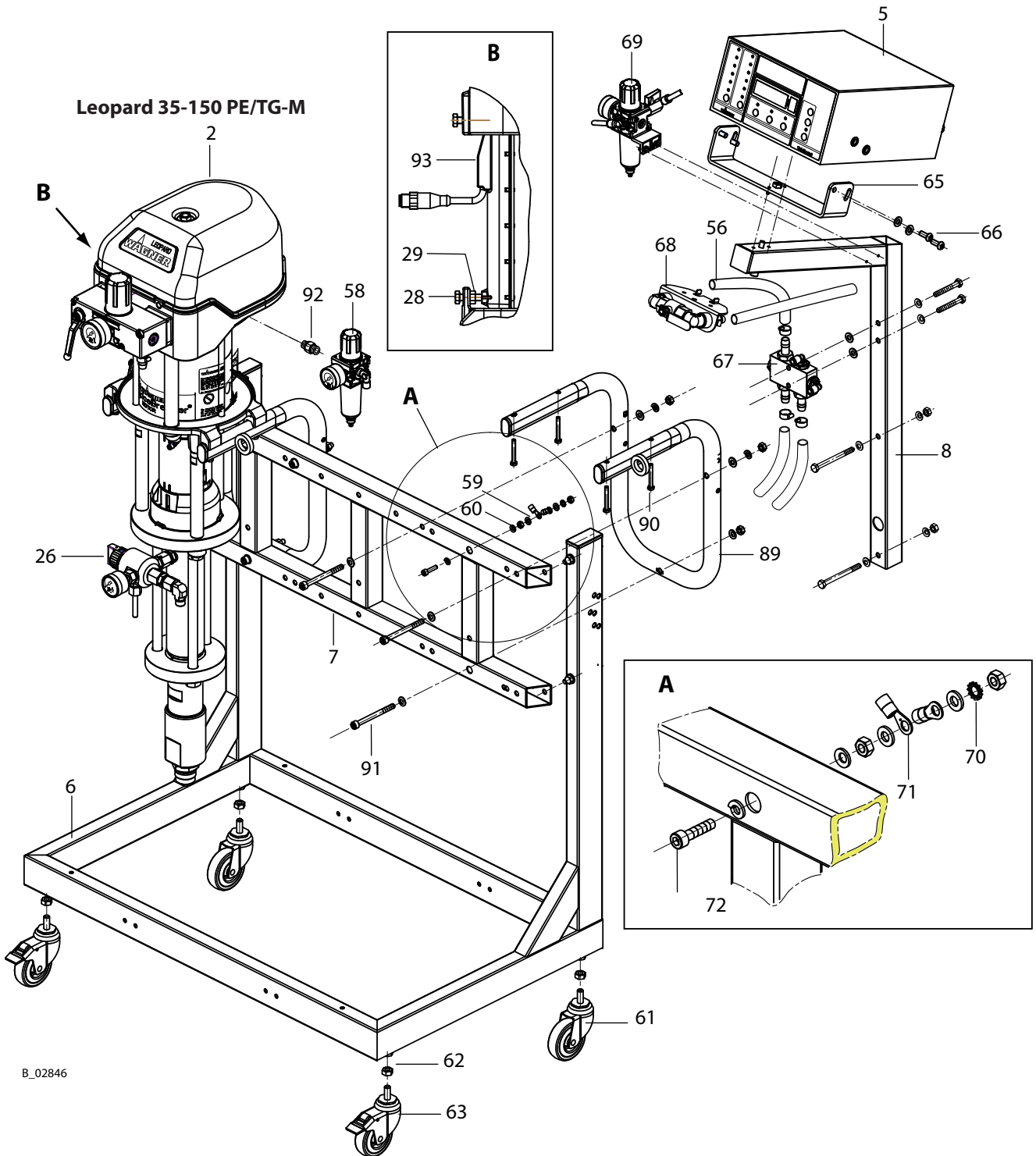
◆ = Wearing parts

**TwinControl 35-150/70 ABS Gestell / Base frame**

**Leopard 35-150 PE/TG-M**



B\_02845



B\_02846

Spare parts list TwinControl 35-150/70 ABS			35-150/70 Turbine Base frame		35-150/70 Cable Base frame	
Pos	K	Description	Qty	No.	Qty	No.
68		Air connection assy.	1	2305082	1	2305082
69		Filter regulator set	1	2301061	1	2301061
70		Lock washer outside toothed	2	9922017	2	9922017
71		Cable lug	8	9950604	8	9950604
72		Cheese head screw with hexagon	2	9900315	2	9900315
73		Information plate	1	367805	1	367805
74		Earthing cable assy. 3 m; 9.84 ft	1	236219	1	236219
75	◆	Separating fluid 250 ml	2	9992504	2	9992504
76		Y- plug connection	1	3159464	1	3159464
77		Straight reduction	1	3151777	1	3151777
78		Manometer sealing ring 1/8"	2	389422	2	389422
86		Hexagonal screw without shank	1	9907250	1	9907250
87		Hexagon nut	1	9913058	1	9913058
88		Cable lug with isolation	4	2305661	4	2305661
89		Mounting for wall 6	2	368940	2	368940
90		Hexagonal screw with shank	8	9900126	8	9900126
91		Cheese head screw with hexagon	6	9907078	6	9907078
92		Double nipple R1/4" - R1/4"	1	9994627	1	9994627
93	◆	Stroke measurement 2	1	2305982	1	2305982

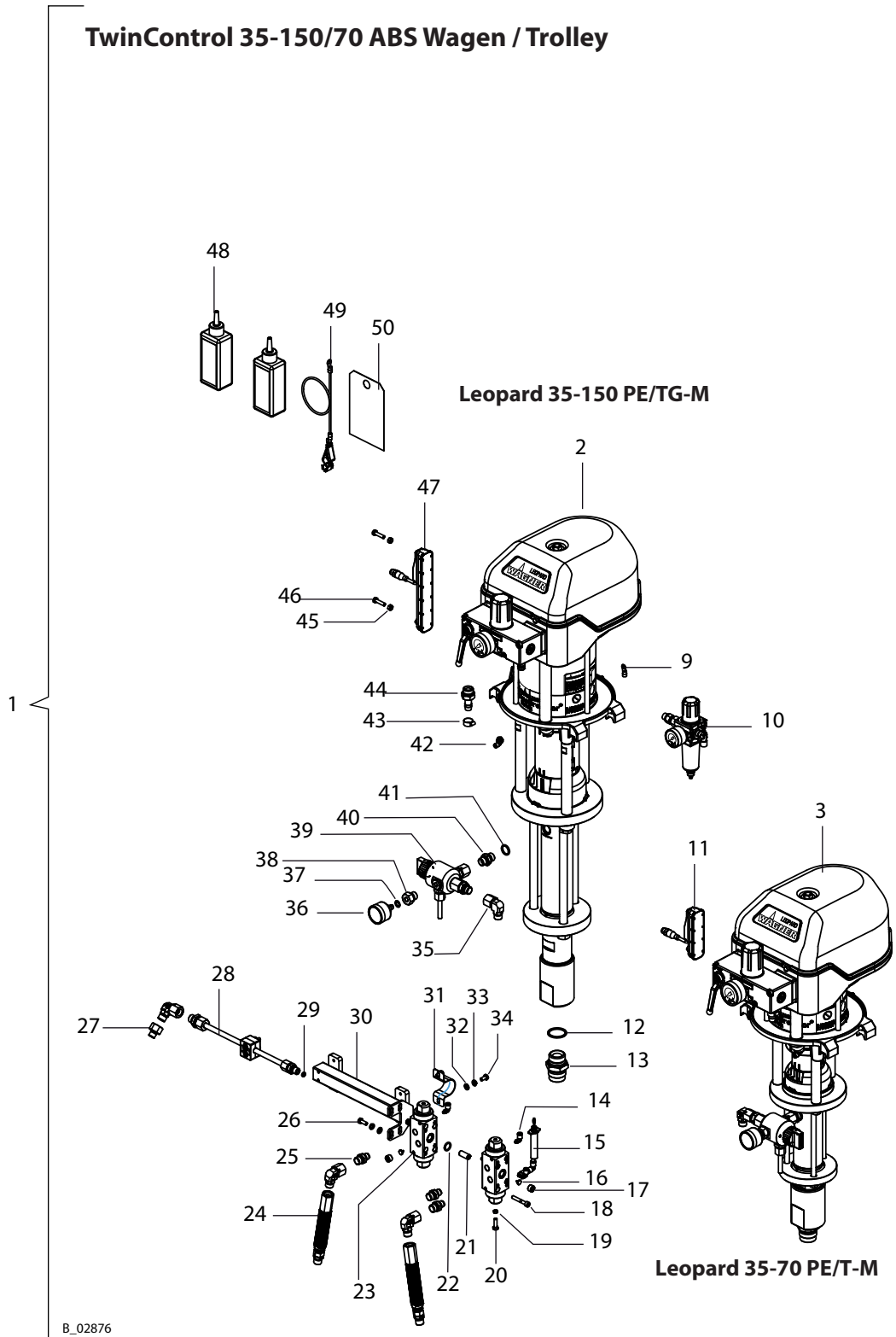
◆ = Wearing parts

## 11.6 BASIC UNIT TWINCONTROL 35-150/70 ABS TROLLEY

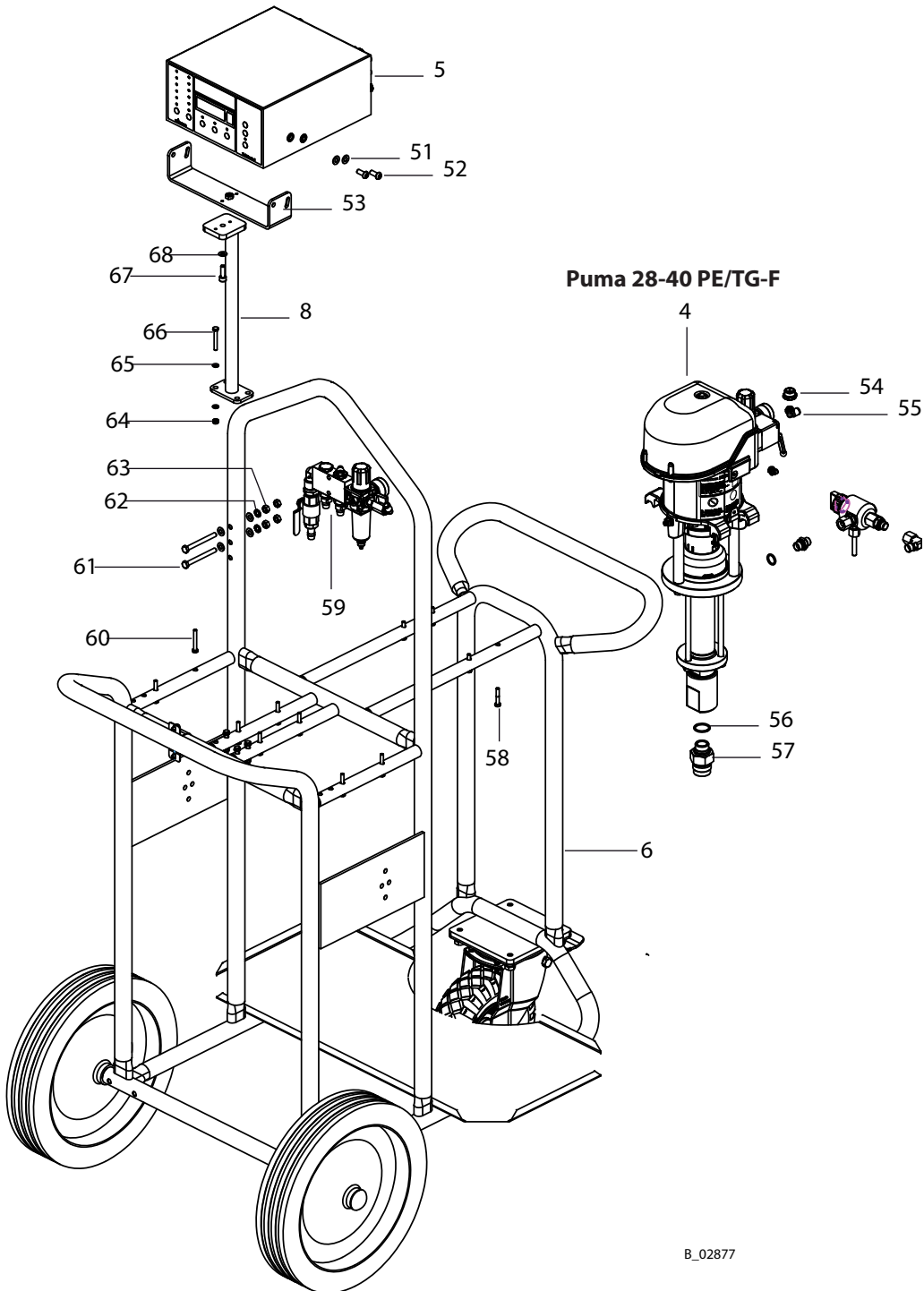
Spare parts list TwinControl 35-150/70 ABS			35-150/70 Turbine Trolley		35-150/70 Cable Trolley	
Pos	K	Description	Qty	No.	Qty	No.
1		TwinControl 35-150/70 ABS		393139		393140
2		Leopard 35-150 PE/TG-M	1	2307784	1	2307784
3		Leopard 35-70 PE/T-M	1	2307770	1	2307770
4		Puma 28-40 PE/TG-F	1	2307781	1	2307781
5		Control unit assy.TC1	1	2304936	1	2304937
6		Trolley TwinControl Leopard	1	2301072	1	2301072
8		Holder controller	1	2301092	1	2301092
9		Cable lug	2	9950604	2	9950604
10		Filter pressure regulator assy.	1	367187	1	367187
11	◆	Stroke measurement 1	1	2305981	1	2305981
12	◆	Sealing ring	2	9974110	2	9974110
13		Reducing double nipple with 1x40°	2	368958	2	368958
14		Angle screwing in connection	3	9992724	3	9992724
15	◆	Separating fluid delivery	2	389064	2	389064
16		Stopper	2	384323	2	384323
17		Lock screw	2	104376	2	104376
18		Cheese head screw with hexagon	4	9900336	4	9900336
19		Hexagon nut	2	9913058	2	9913058
20		Hexagonal screw without shank	2	9907250	2	9907250
21	◆	Fill part	1	384329	1	384329
22	◆	O-ring	1	9974164	1	9974164
23		Colour change valve circulation assy.	2	384194	2	384194
24		In line filter assy.	2	139045	2	139045
25		Screwed connector	3	350499	3	350499
26		Hexagonal screw without shank	4	9900111	4	9900111
27		Adapter	1	384555	1	384555
28	◆	Mixing tube set 6-32E ST/KS	1	389061	1	389061
29	◆	Sealing ring	1	9970153	1	9970153
30		Mounting valve block	1	2303660	1	2303660
31		Bride D34	2	2301097	2	2301097
32		Washer	8	9920103	8	9920103
33		Spring ring	8	9921502	8	9921502
34		Hexagonal screw without shank	4	9900106	4	9900106
35		Pipe elbow 90 degrees	6	384117	6	384117

◆ = Wearing parts

**TwinControl 35-150/70 ABS Wagen / Trolley**



B\_02876



B\_02877

Spare parts list TwinControl 35-150/70 ABS			35-150/70 Turbine Trolley		35-150/70 Cable Trolley	
Pos	K	Description	Qty	No.	Qty	No.
36	◆	Pressure gauge 0-25 MPa; 0-250 bar; 0-3626 psi	2	9999365	2	9999365
37		Manometer sealing ring 1/8"	2	389422	2	389422
38		Adapter	2	2303295	2	2303295
39		Relief valve (Details see chapter 10.16.14)	3	393042	3	393042
40		Double connection	3	367913	3	367913
41	◆	Sealing ring	3	9925024	3	9925024
42		Angle screwing in connection	3	9999066	3	9999066
43		Hose clips	2	9990404	2	9990404
44		Hose nozzle	2	9985619	2	9985619
45		Hexagon nut	4	9910102	4	9910102
46		Hexagonal screw without shank	4	9907199	4	9907199
47	◆	Stroke measurement 2	1	2305982	1	2305982
48	◆	Separating fluid 250 ml	2	9992504	2	9992504
49		Earthing cable assy. 3 m; 9.84 ft	1	236219	1	236219
50		Information plate	1	367805	1	367805
51		Washer	8	9920102	8	9920102
52		Oval head screw with hexagon	4	9906303	4	9906303
53		Holding bracket	1	393306	1	393306
54		Reducing nipple	1	9985685	1	9985685
55		Screw in angle	1	9998253	1	9998253
56	◆	Sealing ring	1	9974109	1	9974109
57		Double nipple G3/4"	1	367958	1	367958
58		Hexagon screw	4	9900218	4	9900218
59		Filter regulator set	1	2307787	1	2307787
60		Hexagonal screw without shank	12	9900126	12	9900126
61		Hexagonal screw without shank	2	9900151	2	9900151
62		Lock washer outside toothed	2	9922016	2	9922016
63		Hexagon nut	4	9910107	4	9910107
64		Hexagon nut with clamp	4	9910204	4	9910204
65		Contact washer	8	3155401	8	3155401
67		Cheese head screw with hexagon	1	9900313	1	9900313
68		Contact washer	1	3155404	1	3155404
	◆	High pressure hose DN 6 - ND530, 1.5 m; 4.92 ft	1	9987007	1	9987007

◆ = Wearing parts



Spare parts list TwinControl 35-150/70 ABS			35-150/70 Turbine Trolley		35-150/70 Cable Trolley	
Pos	K	Description	Qty	No.	Qty	No.
	◆	High pressure hose DN 6 - ND270	2	9987115	2	9987115
		Y- plug connection	1	3159464	1	3159464
		Straight reduction	1	3151777	1	3151777
		Hexagonal screw without shank	1	9907250	1	9907250
		Hexagon nut	1	9913058	1	9913058
		Cable lug with isolation	4	2305661	4	2305661

◆ = Wearing parts

### 11.7 BASIC UNIT TWINCONTROL 48-110 ABS BASE FRAME

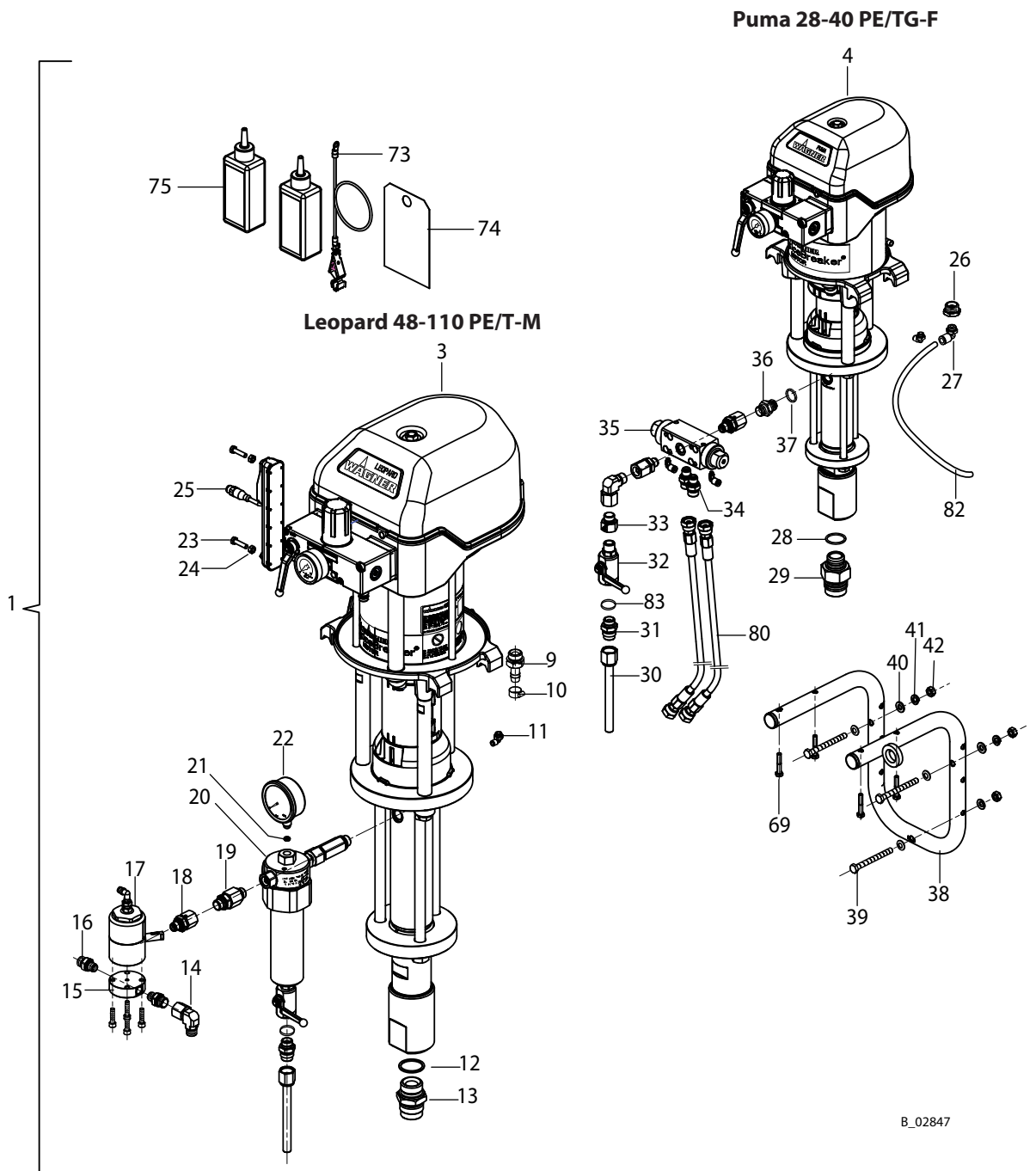
Spare parts list TwinControl 48-110 ABS		48-110 Turbine Base frame		48-110 Cable Base frame		
Pos	K	Description	Qty	No.	Qty	No.
1		TwinControl 48-110 ABS	1	393146	1	393147
2		Leopard 48-110 PE/TG-M	1	2307773	1	2307773
3		Leopard 48-110 PE/T-M	1	2307775	1	2307775
4		Puma 28-40 PE/TG-F	1	2307781	1	2307781
5		Control unit assy.TC2	1	2304938	1	2304932
6		Stand assy.	1	393001	1	393001
7		Holder	1	393301	1	393301
8		Holder control unit assy.	1	393005	1	393005
9		Hose nozzle	2	9985619	2	9985619
10		Hose clips	5	9990404	5	9990404
11		Angle screwing in connection	3	9999066	3	9999066
12	◆	Sealing ring	2	9974110	2	9974110
13		Reducing double nipple with 1x40°	2	368958	2	368958
14		Pipe elbow 90 degrees	5	384117	5	384117
15		Ground plate valve 400-4	2	392307	2	392307
16		Screwed connector	5	350499	5	350499
17		Hardener dosing valve assy. 40 MPa; 400 bar; 5802 psi	1	377143	1	377143
18		Swivel part, assy.	5	384116	5	384116
19		Return check valve assy.	2	384115	2	384115
20		High pressure filter HPF-3 3/8"	2	2307779	2	2307779
21	◆	Sealing ring	2	9970153	2	9970153
22	◆	Pressure gauge 0-60 MPa; 0-600 bar; 0-8702 psi	2	9999059	2	9999059
23		Hexagonal screw without shank	4	9907199	4	9907199
24		Hexagon nut	12	9910102	12	9910102
25	◆	Stroke measurement 2	2	2305982	2	2305982
26		Reducing nipple	1	9985685	1	9985685
27		Screw in angle	1	9998253	1	9998253
28	◆	Sealing ring	1	9974109	1	9974109
29		Double nipple G3/4"	1	367958	1	367958
30		Relief hose assy.	3	367126	3	367126
31		Double connection	3	367962	3	367962
32		Ball valve made of stainless steel	1	9999159	1	9999159
33		Connector assy.	1	115378	1	115378

◆ = Wearing parts

Spare parts list TwinControl 48-110 ABS			48-110 Turbine Base frame		48-110 Cable Base frame	
Pos	K	Description	Qty	No.	Qty	No.
34		Angle screwing in connection	2	9992724	2	9992724
35		Colour change valve assy.	1	384103	1	384103
36		Double connection	1	367913	1	367913
37	◆	Sealing ring	1	9925024	1	9925024
38		Wall holder 4	1	367940	1	367940
39		Hexagonal screw without shank	3	9900151	3	9900151
40		Washer	18	9920102	18	9920102
41		Spring ring	6	9921501	6	9921501
42		Hexagon nut	9	9910107	9	9910107
43		Double connection	1	384448	1	384448
44		Union nut	1	9913005	1	9913005
45		Cutting ring	1	9998135	1	9998135
46		Washer 6.4	2	9925031	2	9925031
47		Retaining strip	1	2301102	1	2301102
48		Distance	1	2301103	1	2301103
49		Cheese head screw with hexagon	2	9906036	2	9906036
50		Pipe clamp	1	9998683	1	9998683
51		Mixing tube	1	389074	1	389074
52		Threaded connection straight	1	9999085	1	9999085
53		Mixing block	1	377543	1	377543
54		Double nipple M16x1.5/G1/2	1	389401	1	389401
55		Double connection	1	367923	1	367923
56		Colour change valve assy. 40 MPa; 400 bar; 5802 psi	1	377142	1	377142
57		Contact washer	8	3155404	8	3155404
58		Cheese head screw with hexagon	6	9907078	6	9907078
59		Contact washer	2	3155401	2	3155401
60		Washer	10	9920103	10	9920103
61		Air manifold	1	2302357	1	2302357
62		Air connection assy.	1	2305082	1	2305082
63		Filter regulator set	1	2301061	1	2301061
64		Holding bracket	1	393306	1	393306
65		Oval head screw with hexagon	4	9906303	4	9906303
66		Hexagonal screw without shank	2	9900130	2	9900130

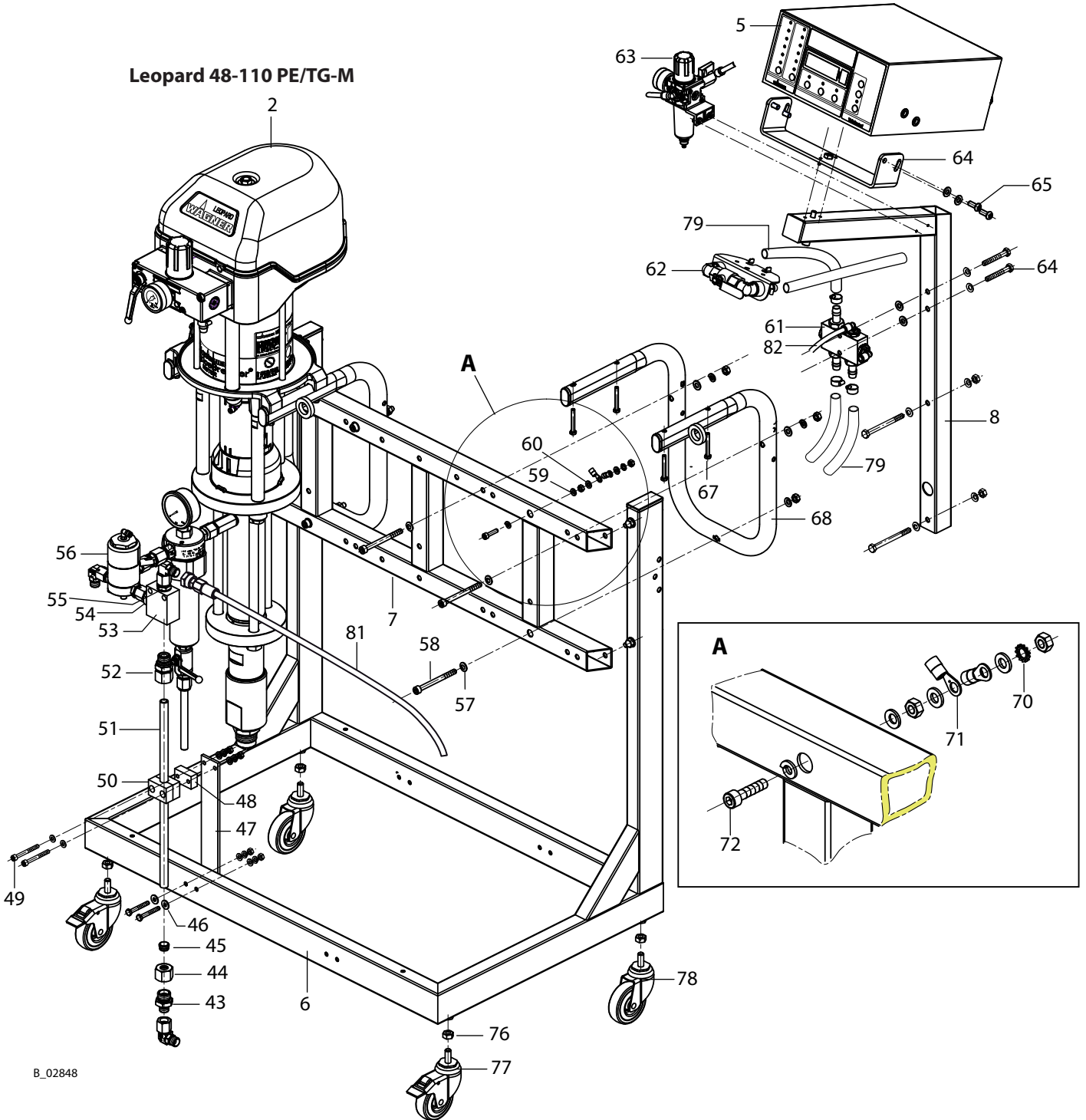
◆ = Wearing parts

**TwinControl 48-110 ABS**



B\_02847

**Leopard 48-110 PE/TG-M**



B\_02848

Spare parts list TwinControl 48-110 ABS		48-110 Turbine Base frame		48-110 Cable Base frame		
Pos	K	Description	Qty	No.	Qty	No.
67		Hexagonal screw without shank	10	9900126	10	9900126
68		Mounting for wall 6	2	368940	2	368940
69		Hexagon screw	4	9900218	4	9900218
70		Lock washer outside toothed	2	9922017	2	9922017
71		Cable lug	8	9950604	8	9950604
72		Cheese head screw with hexagon	10	9900315	10	9900315
73		Earthing cable assy. 3 m; 9.84 ft	1	236219	1	236219
74		Information plate	1	367805	1	367805
75	◆	Separating fluid 250 ml	2	9992504	2	9992504
76		Hexagon nut	4	9910105	4	9910105
77	◆	Castor with double stop	2	9994947	2	9994947
78	◆	Castor single	2	9994946	2	9994946
79	◆	Hose 2 m; 6.56 ft	1	2307791	1	2307791
80	◆	High pressure hose DN 6-ND270	2	9987115	2	9987115
81	◆	High pressure hose DN 6-ND270	1	9987084	1	9987084
82		Hose	1	2307791	1	2307791
83	◆	Sealing ring	3	9974111	3	9974111
		Spring ring	6	9921502	6	9921502
		Straight reduction	1	3151777	1	3151777
		Y- plug connection	1	3159464	1	3159464
		Cable lug with isolation	4	2305661	4	2305661

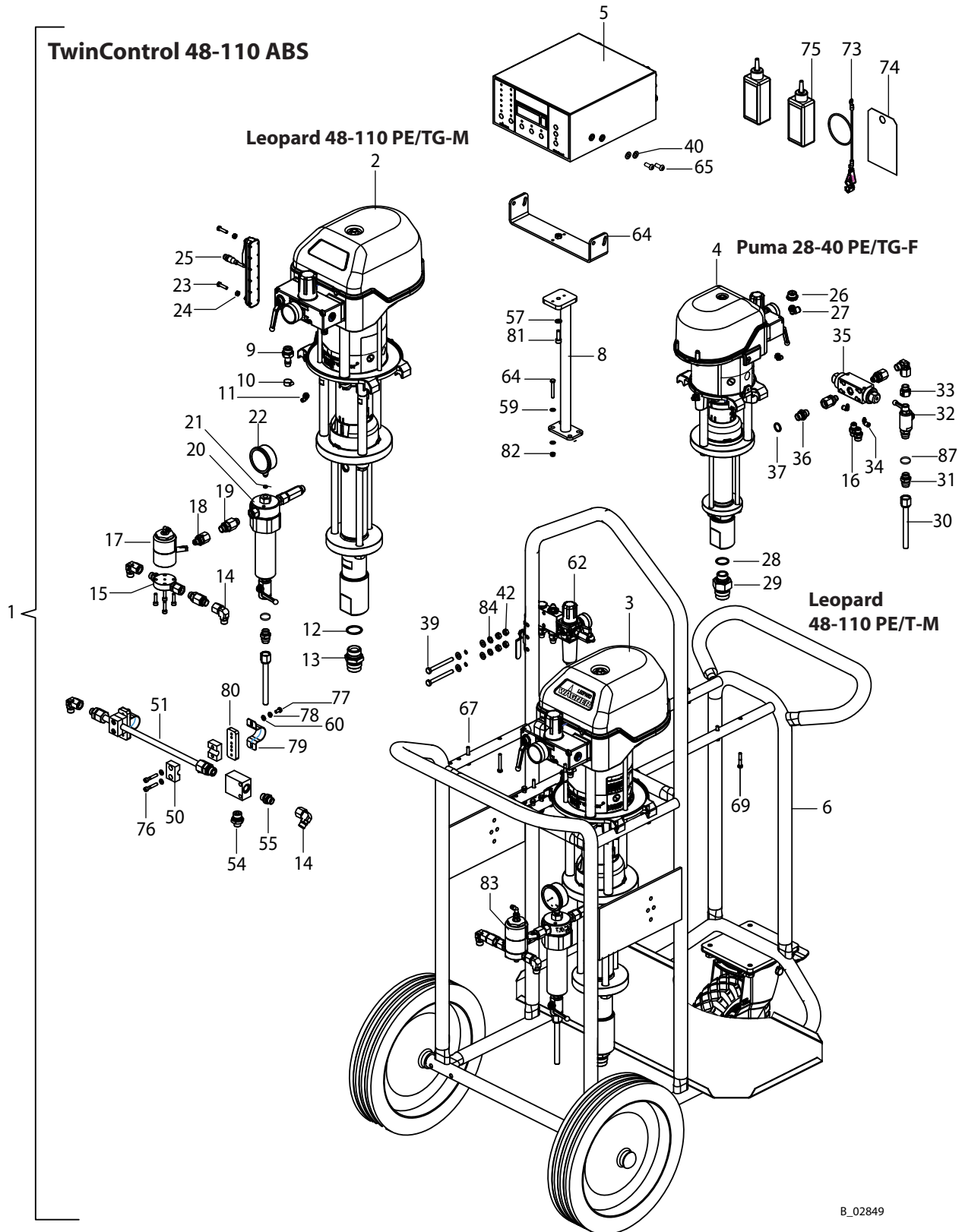
◆ = Wearing parts

**11.8 BASIC UNIT TWINCONTROL 48-110 ABS TROLLEY**

Spare parts list TwinControl 48-110 ABS		48-110 Turbine Trolley		48-110 Cable Trolley		
Pos	K	Description	Qty	No.	Qty	No.
1		TwinControl 48-110 ABS	1	393148	1	393149
2		Leopard 48-110 PE/TG-M	1	2307773	1	2307773
3		Leopard 48-110 PE/T-M	1	2307775	1	2307775
4		Puma 28-40 PE/TG-F	1	2307781	1	2307781
5		Control unit assy.TC2	1	2304938	1	2304932
6		Trolley TwinControl assy.	1	2301072	1	2301072
8		Holder controller	1	2301092	1	2301092
9		Hose nozzle	2	9985619	2	9985619
10		Hose clips	2	9990404	2	9990404
11		Angle screwing in connection	3	9999066	3	9999066
12	◆	Sealing ring	2	9974110	2	9974110
13		Reducing double nipple with 1x40°	2	368958	2	368958
14		Pipe elbow 90 degrees	7	384117	7	384117
15		Ground plate valve 400-4 assy.	2	392093	2	392093
16		Screwed connector	2	350499	2	350499
17		Colour change valve assy. 40 MPa; 400 bar; 5802 psi	1	377142	1	377142
18		Swivel part, assy.	4	384116	4	384116
19		Return check valve assy.	4	384115	4	384115
20		High pressure filter HPF-3 3/8"	2	2307779	2	2307779
21	◆	Sealing ring	2	9970153	2	9970153
22	◆	Pressure gauge 0-60 MPa; 0-600 bar; 0-8702 psi	2	9999059	2	9999059
23		Hexagonal screw without shank	4	9907199	4	9907199
24		Hexagon nut	4	9910102	4	9910102
25	◆	Stroke measurement 2	2	2305982	2	2305982
26		Reducing nipple	1	9985685	1	9985685
27		Screw in angle	1	9998253	1	9998253
28	◆	Sealing ring	1	9974109	1	9974109
29		Double nipple G3/4"	1	367958	1	367958
30		Relief hose assy.	3	367126	3	367126
31		Double connection	2	367962	2	367962
32		Ball valve made of stainless steel	1	9999159	1	9999159
33		Connector assy.	1	115378	1	115378
34		Angle screwing in connection	2	9992724	2	9992724

◆ = Wearing parts

**TwinControl 48-110 ABS**





Spare parts list TwinControl 48-110 ABS			48-110 Turbine Trolley		48-110 Cable Trolley	
Pos	K	Description	Qty	No.	Qty	No.
35		Colour change valve assy.	1	384103	1	384103
36		Double connection	1	367913	1	367913
37	◆	Sealing ring	1	9925024	1	9925024
39		Hexagonal screw without shank	2	9900151	2	9900151
40		Washer	8	9920102	8	9920102
42		Hexagon nut	4	9910107	4	9910107
50		Pipe clamp	1	9998683	1	9998683
51	◆	Mixing tube set 10-300 VA	1	389074	1	389074
53		Mixing bloc	1	377543	1	377543
54		Double nipple M16x1.5/G1/2	1	389401	1	389401
55		Double connection	1	367923	1	367923
57		Contact washer	1	3155404	1	3155404
59		Contact washer	8	3155401	8	3155401
60		Washer	6	9920103	6	9920103
62		Filter regulator set	1	2307787	1	2307787
64		Holding bracket	1	393306	1	393306
65		Oval head screw with hexagon	4	9906303	4	9906303
67		Hexagonal screw without shank	12	9900126	12	9900126
69		Hexagon screw	4	9900218	4	9900218
73		Earthing cable assy. 3 m; 9.84 ft	1	236219	1	236219
74		Information plate	1	367805	1	367805
75	◆	Separating fluid 250 ml	2	9992504	2	9992504
76		Cheese head screw with hexagon	2	9900333	2	9900333
77		Hexagonal screw without shank	4	9900106	4	9900106
78		Spring ring	4	9921502	4	9921502
79		Bride D34	2	2301097	2	2301097
80		Plate Bride	2	2301096	2	2301096
81		Cheese head screw with hexagon	1	9900313	1	9900313
82		Hexagon nut with clamp	4	9910204	4	9910204
83		Hardener dosing valve assy. 40 MPa; 400 bar; 5802 psi	1	377143	1	377143
84		Lock washer outside toothed	2	9922016	2	9922016
85	◆	High pressure hose DN 6-ND530; 1.5 m; 4.92 ft	2	9987007	2	9987007

◆ = Wearing parts

Spare parts list TwinControl 48-110 ABS			48-110 Turbine Trolley		48-110 Cable Trolley	
Pos	K	Description	Qty	No.	Qty	No.
86	◆	High pressure hose DN 6-ND270	2	9987115	2	9987115
87	◆	Sealing ring	3	9974111	3	9974111
		Grease Mobilux EP 2	1	9998808	1	9998808
		Molykote DX grease	1	9992616	1	9992616
		Y- plug connection	1	3159464	1	3159464
		Straight reduction	1	3151777	1	3151777
		Cable lug with isolation	4	2305661	4	2305661

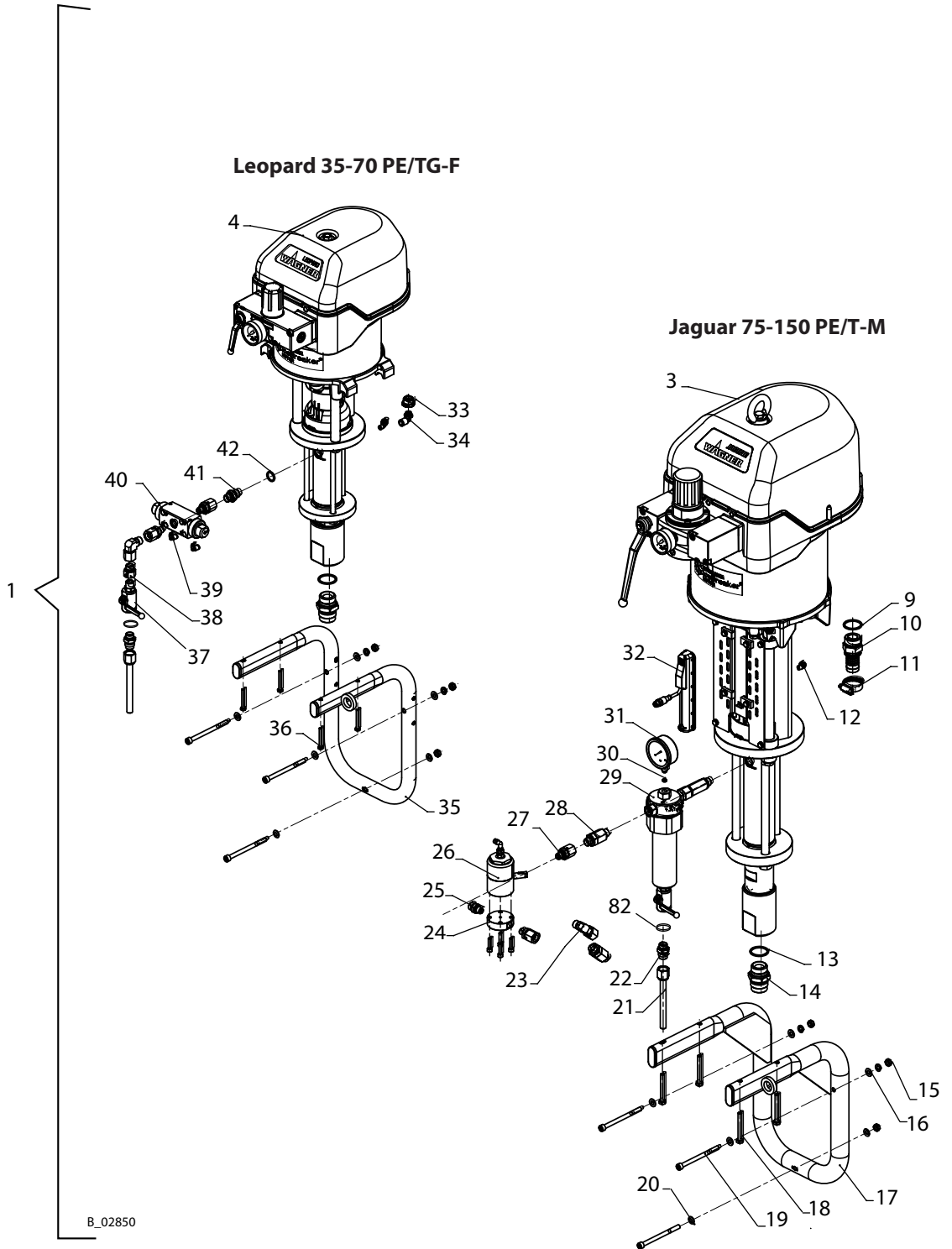
◆ = Wearing parts

**11.9 BASIC UNIT TWINCONTROL 75-150 ABS BASE FRAME**

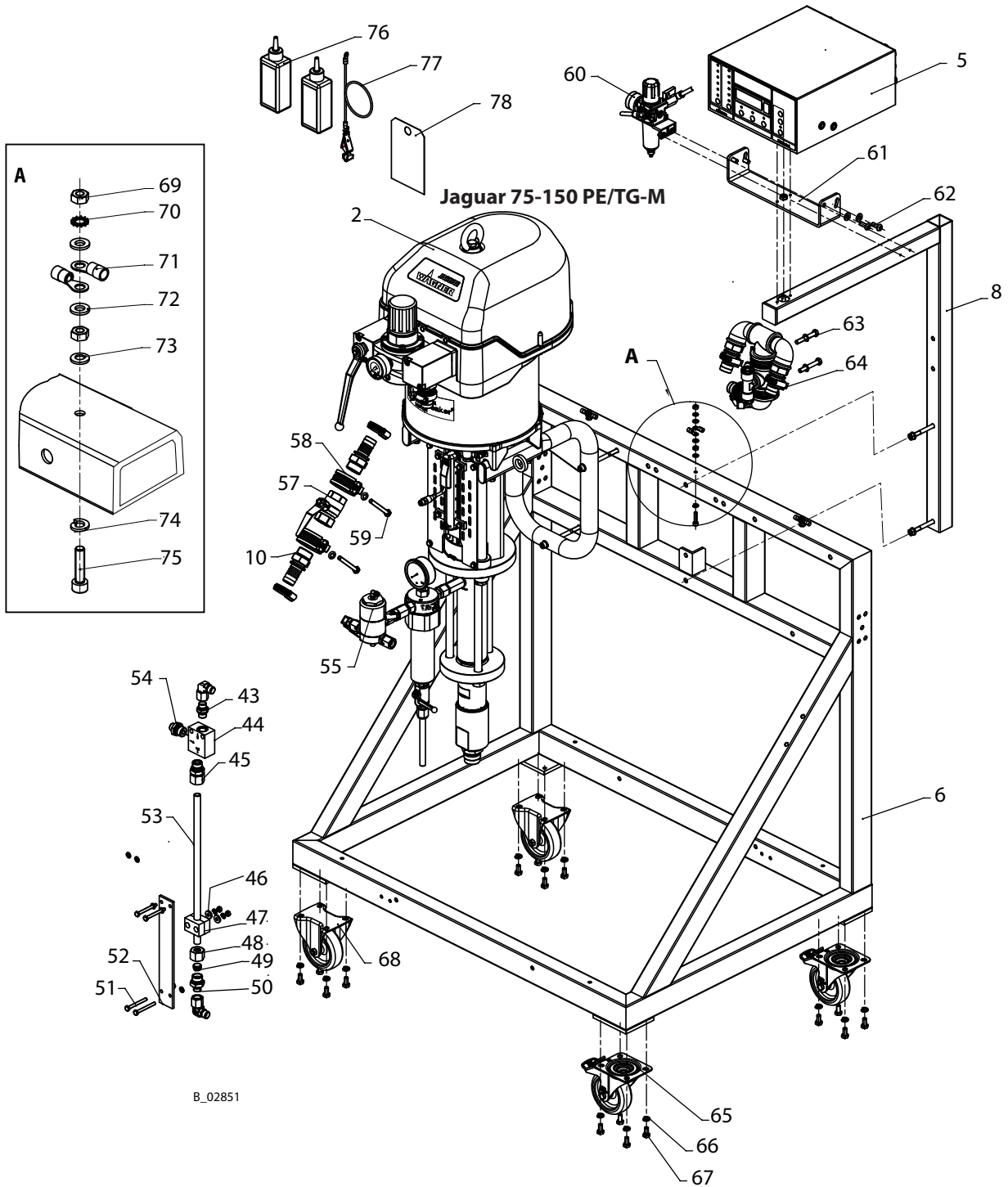
Spare parts list TwinControl 75-150 ABS			75-150 Turbine Base frame		75-150 Cable Base frame	
Pos	K	Description	Qty	No.	Qty	No.
1		TwinControl 75-150 ABS	1	393150	1	393151
2		Jaguar 75-150 PE/TG-M	1	2307776	1	2307776
3		Jaguar 75-150 PE/T-M	1	2307778	1	2307778
4		Leopard 35-70 PE/TG-F	1	2307782	1	2307782
5		Control unit assy. TC2	1	2304938	1	2304932
6		Base frame	1	393390	1	393390
8		Holder control unit assy.	1	2301116	1	2301116
9	◆	Sealing ring 1"	2	9974135	2	9974135
10		Outside thread socket 1"-NW25	4	9985671	4	9985671
11		Hose clips	4	9990224	4	9990224
12		Angle screwing in connection	3	9999066	3	9999066
13	◆	Sealing ring	3	9974110	3	9974110
14		Reducing double nipple with 1x40°	3	368958	3	368958
15		Hexagon nut	9	9910107	9	9910107
16		Washer	16	9920102	16	9920102
17		Mounting for wall 9	2	369976	2	369976
18		Hexagonal screw without shank	8	9900144	8	9900144
19		Cheese head screw with hexagon	9	9907087	9	9907087
20		Contact washer	10	3155404	10	3155404
21		Relief hose assy.	3	367126	3	367126
22		Double connection	3	367962	3	367962
23		Pipe elbow 90 degrees	5	384117	5	384117
24		Ground plate valve 400-4	2	392307	2	392307
25		Screw-in socket	1	350499	1	350499
26		Hardener dosing valve assy. 40 MPa; 400 bar; 5802 psi	1	377143	1	377143
27		Swivel part, assy.	7	384116	7	384116
28		Return check valve assy. 53 MPa; 530 bar; 7687 psi	4	2305574	4	2305574
29		High pressure filter HPF-3 3/8"	2	2307779	2	2307779
30	◆	Sealing ring	2	9970153	2	9970153
31	◆	Pressure gauge 0-60 MPa; 0-600 bar; 0-8702 psi	2	9999059	2	9999059
32	◆	Stroke measurement 2	2	2305982	2	2305982

◆ = Wearing parts

**TwinControl 75-150 ABS Gestell / Base frame**



B\_02850



B\_02851

Spare parts list TwinControl 75-150 ABS			75-150 Turbine Base frame		75-150 Cable Base frame	
Pos	K	Description	Qty	No.	Qty	No.
33		Reducing nipple	1	9985685	1	9985685
34		Screw in angle	1	9998253	1	9998253
35		Mounting for wall 6	1	368940	1	368940
36		Hexagonal screw without shank	4	9900126	4	9900126
37		Ball valve made of stainless steel	1	9999159	1	9999159
38		Connector assy.	1	115378	1	115378
39		Angle screwing in connection	2	9992724	2	9992724
40		Colour change valve assy.	1	384103	1	384103
41		Double connection	1	367913	1	367913
42	◆	Sealing ring	1	9925024	1	9925024
43		Double connection	1	367923	1	367923
44		Mixing bloc	1	377543	1	377543
45		Threaded connection straight	1	9999085	1	9999085
46		Washer	2	9920806	2	9920806
47		Pipe clamp	1	9998683	1	9998683
48		Union nut	1	9913005	1	9913005
49		Cutting ring	1	9998135	1	9998135
50		Double connection	1	384448	1	384448
51		Hexagonal screw without shank	4	3061695	4	3061695
52		Retaining strip	1	2301102	1	2301102
53		Mixing pipe	1	389074	1	389074
54		Double nipple M16x1.5/G1/2	1	389401	1	389401
55		Colour change valve assy. 40 MPa; 400 bar; 5802 psi	1	377142	1	377142
57		Ball valve 2 way ND 2 MPa; 20 bar; 290 psi	1	9991512	1	9991512
58		Screw pipe clip	2	9999588	2	9999588
59		Hexagonal screw without shank	2	2304835	2	2304835
60		Filter regulator set	1	2301061	1	2301061
61		Holding bracket	1	393306	1	393306
62		Oval head screw with hexagon	4	9906303	4	9906303
63		Hexagon screw	2	9900230	2	9900230
64		Air manifold assy.	1	2303959	1	2303959
65		Swivel roller with clamp	2	9999573	2	9999573

◆ = Wearing parts

Spare parts list TwinControl 75-150 ABS			75-150 Turbine Base frame		75-150 Cable Base frame	
Pos	K	Description	Qty	No.	Qty	No.
66		Spring ring	22	9921501	22	9921501
67		Hexagonal screw without shank	16	9900221	16	9900221
68		Fixed castor	2	9999574	2	9999574
69		Hexagon nut	10	9910102	10	9910102
70		Lock washer outside toothed	3	9922017	3	9922017
71		Cable lug	10	9950604	10	9950604
72		Washer	6	9920103	6	9920103
73		Contact washer	9	3155401	9	3155401
74		Spring ring	5	9921502	5	9921502
75		Cheese head screw with hexagon	11	9900315	11	9900315
76	◆	Separating fluid 250 ml	2	9992504	2	9992504
77		Earthing cable assy. 3 m; 9.84 ft	1	236219	1	236219
78		Information plate	1	367805	1	367805
79		PVC-TX-hose NW25x4.5, 2 m; 6.56 ft	1	2307785	1	2307785
80	◆	High pressure hose D08	1	9987124	1	9987124
81	◆	High pressure hose DN 6-ND270	2	9987115	2	9987115
82	◆	Sealing ring	3	9974111	3	9974111
		Straight reduction	1	3151777	1	3151777
		Y- plug connection	1	3159464	1	3159464
		Cable lug with isolation	4	2305661	4	2305661

◆ = Wearing parts

**11.10 BASIC UNIT TWINCONTROL 75-150 ABS TROLLEY**

Spare parts list TwinControl 75-150 ABS		75-150 Turbine Trolley		75-150 Cable Trolley		
Pos	K	Description	Qty	No.	Qty	No.
1		TwinControl 75-150 ABS	1	393152	1	393153
2		Jaguar 75-150 PE/TG-M	1	2307776	1	2307776
3		Jaguar 75-150 PE/T-M	1	2307778	1	2307778
4		Leopard 35-70 PE/TG-F	1	2307782	1	2307782
5		Control unit assy.TC2	1	2304938	1	2304932
6		Trolley TwinControl Jaguar,Tiger	1	2301641	1	2301641
8		Holding control unit	1	2301664	1	2301664
9	◆	Sealing ring 1"	2	9974135	2	9974135
10		Outside thread socket 1"-NW25	2	9985671	2	9985671
11		Hose clips	2	9990224	2	9990224
12		Angle screwing in connection	3	9999066	3	9999066
13	◆	Sealing ring	3	9974110	3	9974110
14		Reducing double nipple with 1x40°	3	368958	3	368958
16		Washer	1	9920102	1	9920102
18		Hexagonal screw without shank	8	9900123	8	9900123
20		Contact washer	1	3155404	1	3155404
21		Relief hose assy.	3	367126	3	367126
22		Double connection	3	367962	3	367962
23		Pipe elbow 90 degrees	8	384117	8	384117
24		Ground plate valve 400-4 assy.	2	392093	2	392093
25		Screw-in socket	2	350499	2	350499
26		Colour change valve assy. 40 MPa; 400 bar; 5802 psi	2	377142	2	377142
27		Swivel part, assy.	4	384116	4	384116
28		Return check valve assy. 53 MPa; 530 bar; 7687 psi	4	2305574	4	2305574
29		High pressure filter HPF-3 3/8"	2	2307779	2	2307779
30		Sealing ring	2	9970153	2	9970153
31	◆	Pressure gauge 0-60 MPa; 0-600 bar; 0-8702 psi	2	9999059	2	9999059
32	◆	Stroke measurement 2	2	2305982	2	2305982
33		Reducing nipple	1	9985685	1	9985685
34		Screw in angle	1	9998253	1	9998253
36		Hexagon screw	4	9900202	4	9900202

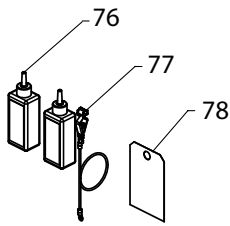
◆ = Wearing parts



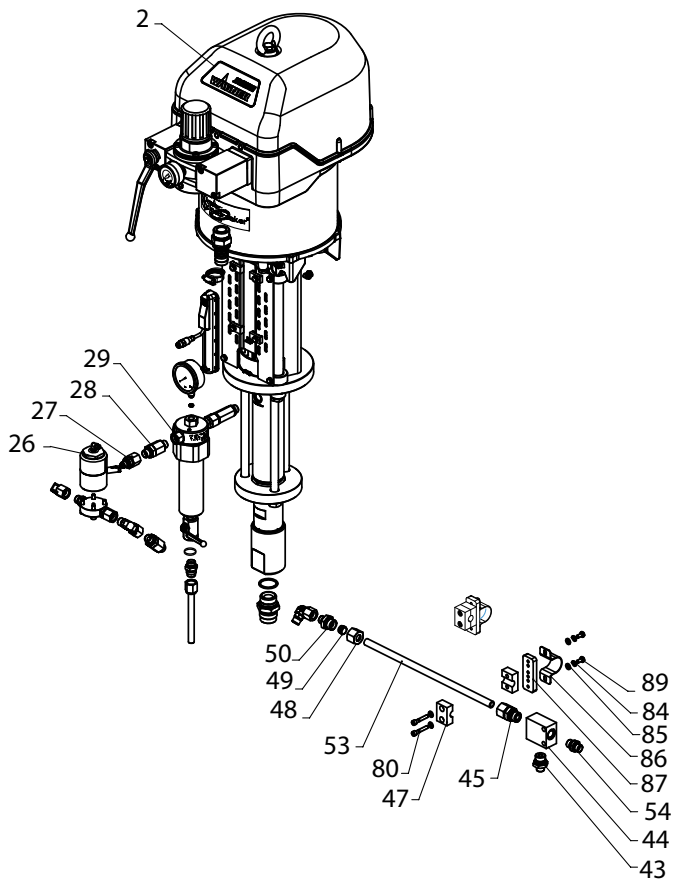
Spare parts list TwinControl 75-150 ABS			75-150 Turbine Trolley		75-150 Cable Trolley	
Pos	K	Description	Qty	No.	Qty	No.
36		Hexagonal screw without shank	4	9900126	4	9900126
37		Ball valve made of stainless steel	1	9999159	1	9999159
38		Connector assy.	1	115378	1	115378
39		Angle screwing in connection	2	9992724	2	9992724
40		Colour change valve assy.	1	384103	1	384103
41		Double connection	1	367913	1	367913
42	◆	Sealing ring	1	9925024	1	9925024
43		Double nipple M16x1.5/G1/2	1	389401	1	389401
44		Mixing bloc	1	377543	1	377543
45		Threaded connection straight	1	9999085	1	9999085
47		Pipe clamp	2	9998683	2	9998683
48		Union nut	1	9913005	1	9913005
49		Cutting ring	1	9998135	1	9998135
50		Double connection	1	384448	1	384448
53		Mixing pipe	1	389074	1	389074
54		Double connection	1	367923	1	367923
61		Holding bracket	1	393306	1	393306
62		Oval head screw with hexagon	4	9906303	4	9906303
63		Hexagon screw	2	9900230	2	9900230
64		Air manifold assy.	1	2303849	1	2303849
66		Spring ring	1	9921501	1	9921501
72		Contact washer	8	3155401	8	3155401
76	◆	Separating fluid 250 ml	2	9992504	2	9992504
77		Earthing cable assy. 3 m; 9.84 ft	1	236219	1	236219
78		Information plate	1	367805	1	367805
80		Cheese head screw with hexagon	4	9900333	4	9900333
81		Hexagon nut with clamp	4	9910204	4	9910204
82		Cheese head screw with hexagon	1	9900313	1	9900313
83		Hexagonal screw without shank	4	9900106	4	9900106
84		Spring ring	4	9921502	4	9921502
85		Washer	8	9920103	8	9920103
86		Bride D34	2	2301097	2	2301097
87		Plate Bride	2	2301096	2	2301096
88	◆	Sealing ring	3	9974111	3	9974111

◆ = Wearing parts

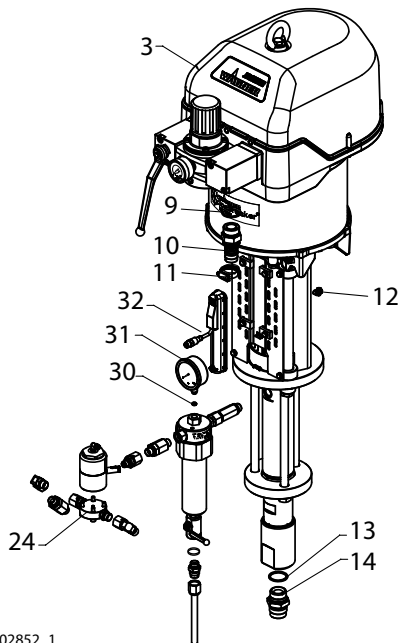
**TwinControl 75-150 ABS Wagen / Trolley**



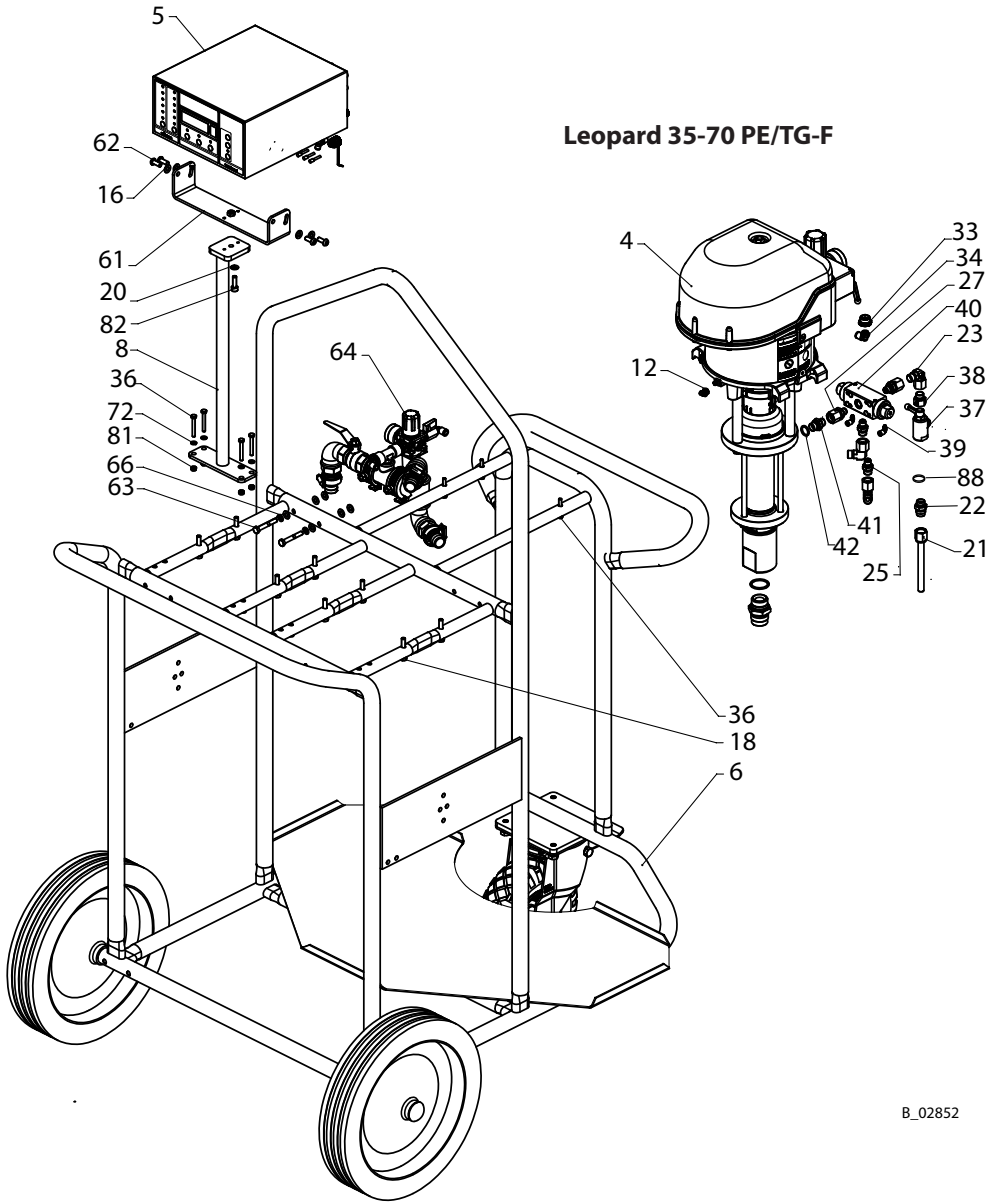
**Jaguar 75-150 PE/TG-M**



**Jaguar 75-150 PE/T-M**



B\_02852\_1



B\_02852

Spare parts list TwinControl 75-150 ABS			75-150 Turbine Trolley		75-150 Cable Trolley	
Pos	K	Description	Qty	No.	Qty	No.
		PVC-TX-hose NW25x4.5	6	2307785	6	2307785
	◆	Hose 2.5 m; 8.20 ft	1	2307791	1	2307791
	◆	High pressure hose D10	1	2302783	1	2302783
	◆	High pressure hose D06 53 MPa; 530 bar; 7687 psi	1	9987126	1	9987126
	◆	High pressure hose DN 6-ND530, 1.5 m; 4.92 ft	2	9987007	2	9987007
		Y- plug connection	1	3159464	1	3159464
		Straight reduction	1	3151777	1	3151777
		Cable lug with isolation	4	2305661	4	2305661

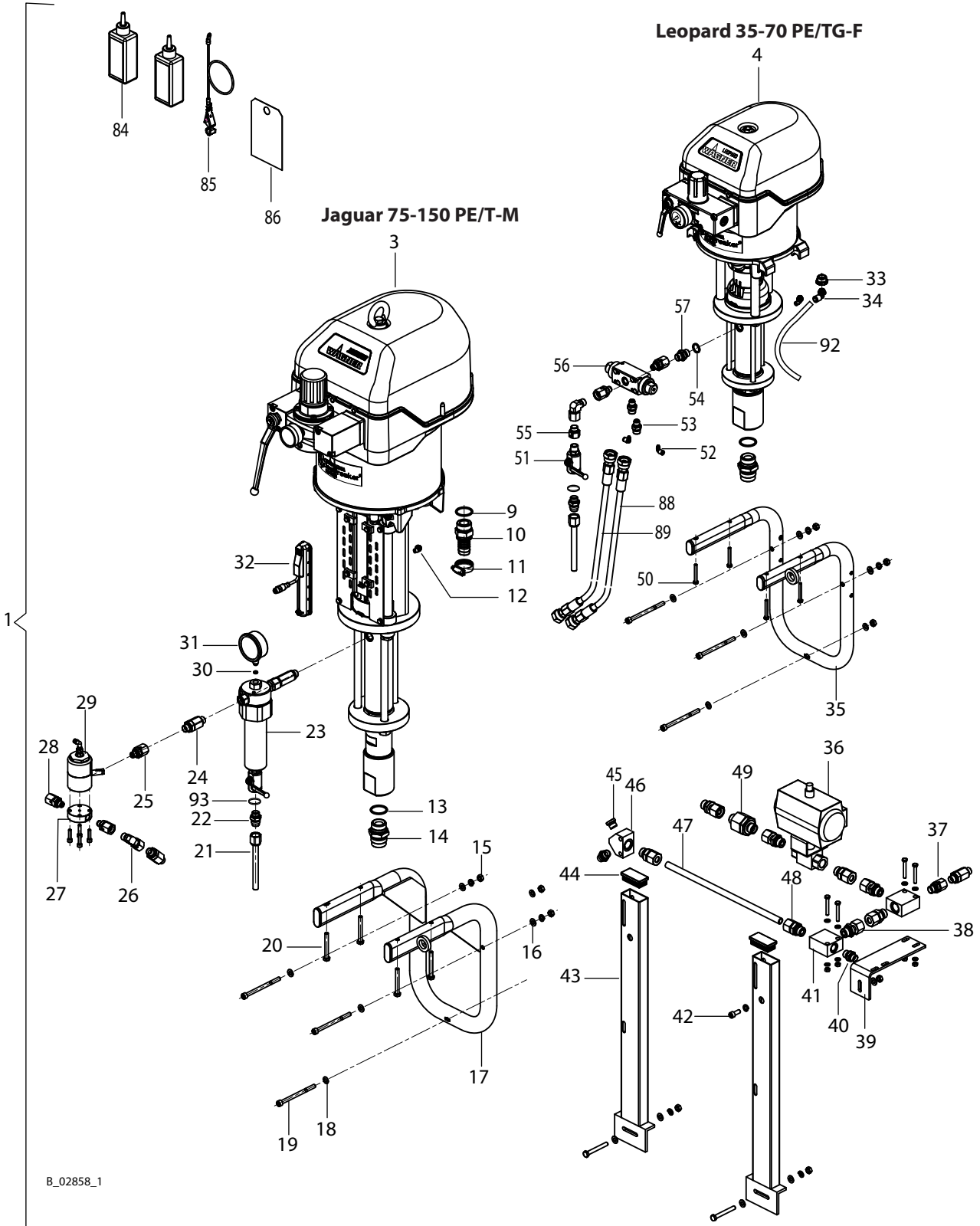
◆ = Wearing parts

**11.11 BASIC UNIT TWINCONTROL 72-300/150 ABS BASE FRAME**

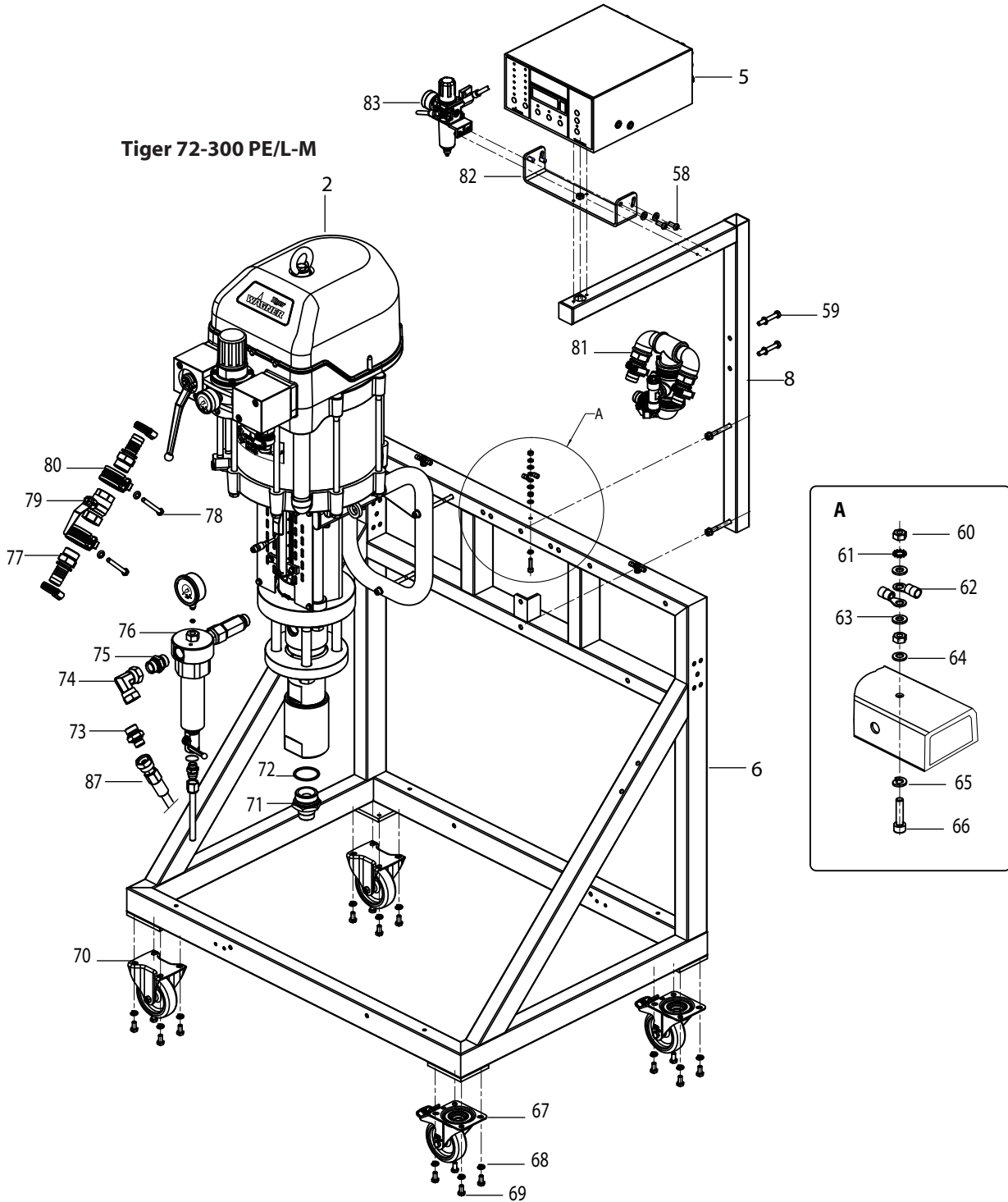
Spare parts list TwinControl 72-300/150 ABS			72-300/150 Turbine Base frame		72-300/150 Cable Base frame	
Pos	K	Description	Qty	No.	Qty	No.
1		TwinControl 72-300/150 ABS	1	393154	1	393155
2		Tiger 72-300 PE/L-M	1	2307752	1	2307752
3		Jaguar 75-150 PE/T-M	1	2307778	1	2307778
4		Leopard 35-70 PE/TG-F	1	2307782	1	2307782
5		Control unit assy.TC2 Cable	1	2304938	1	2304932
6		Base frame	1	393390	1	393390
8		Holder control unit assy.	1	2301116	1	2301116
9	◆	Sealing ring 1"	2	9974135	2	9974135
10		Outside thread socket 1"-NW25	4	9985671	4	9985671
11		Hose clips	4	9990224	4	9990224
12		Angle screwing in connection	3	9999066	3	9999066
13	◆	Sealing ring	2	9974110	2	9974110
14		Reducing double nipple with 1x40°	2	368958	2	368958
15		Hexagon nut	12	9910107	12	9910107
16		Washer	21	9920102	21	9920102
17		Mounting for wall 9	2	369976	2	369976
18		Contact washer	10	3155404	10	3155404
19		Cheese head screw with hexagon	9	9907087	9	9907087
20		Hexagonal screw without shank	10	9900144	10	9900144
21		Relief hose assy.	3	367126	3	367126
22		Double connection	3	367962	3	367962
23		High pressure filter HPF-3 3/8"	1	2307779	1	2307779
24		Return check valve assy. 53 MPa; 530 bar; 7687 psi	3	2305574	3	2305574
25		Swivel part, assy.	5	384116	5	384116
26		Pipe elbow 90 degrees	2	384117	2	384117
27		Ground plate valve 400-4	1	392307	1	392307
29		Hardener dosing valve assy. 40 MPa; 400 bar; 5802 psi	1	377143	1	377143
30	◆	Sealing ring	2	9970153	2	9970153
31	◆	Pressure gauge 0-60 MPa; 0-600 bar; 0-8702 psi	2	9999059	2	9999059
32	◆	Stroke measurement 2	2	2305982	2	2305982
33		Reducing nipple	1	9985685	1	9985685
34		Screw in angle	1	9998253	1	9998253

◆ = Wearing parts

**TwinControl 72-300/150 ABS Gestell / Base frame**



**Tiger 72-300 PE/L-M**



B\_02858

Spare parts list TwinControl 72-300/150 ABS			72-300/150 Turbine Base frame		72-300/150 Cable Base frame	
Pos	K	Description	Qty	No.	Qty	No.
35		Mounting for wall 6	1	368940	1	368940
36		Ball valve with pneumatic drive	1	2303551	1	2303551
37		Swivel part, assy.	1	392270	1	392270
38		Screw-in screw connection adjustable	4	9999084	4	9999084
39		Angle bracket	1	2303635	1	2303635
40		Double connection	2	367923	2	367923
41		Mixing block	2	377543	2	377543
42		Cheese head screw with hexagon	1	9900318	1	9900318
43		Holder	2	393425	2	393425
44		Plug 60 30	2	9998887	2	9998887
45		Lock screw	1	9907127	1	9907127
46		Y-distributor	1	377542	1	377542
47		Mixing pipe	1	389074	1	389074
48		Threaded connection straight	4	9999085	4	9999085
49		Return check valve assy. M22x1.5	1	377140	1	377140
50		Hexagonal screw without shank	8	9900126	8	9900126
51		Ball valve made of stainless steel	1	9999159	1	9999159
52		Angle screwing in connection	2	9992724	2	9992724
53		Screw-in socket	2	350499	2	350499
54	◆	Sealing ring	1	9925024	1	9925024
55		Connector assy.	1	115378	1	115378
56		Colour change valve assy.	1	384103	1	384103
57		Double connection	1	367913	1	367913
58		Oval head screw with hexagon	4	9906303	4	9906303
59		Hexagon screw	2	9900230	2	9900230
60		Hexagon nut	10	9910102	10	9910102
61		Lock washer outside toothed	3	9922017	3	9922017
62		Cable lug	10	9950604	10	9950604
63		Washer	10	9920103	10	9920103
64		Contact washer	7	3155401	7	3155401
65		Spring ring	3	9921502	3	9921502
66		Cheese head screw with hexagon	7	9900315	7	9900315
67		Swivel roller with clamp	2	9999573	2	9999573
68		Spring ring	25	9921501	25	9921501

◆ = Wearing parts



Spare parts list TwinControl 72-300/150 ABS		72-300/150 Turbine Base frame		72-300/150 Cable Base frame		
Pos	K	Description	Qty	No.	Qty	No.
69		Hexagonal screw without shank	16	9900221	16	9900221
70		Fixed castor	2	9999574	2	9999574
71		Reducing double nipple	1	369958	1	369958
72	◆	Sealing ring	1	9974126	1	9974126
73		High pressure reduction adapter 3/4"-1/2", 60°	1	3677079	1	3677079
74		High pressure angle adapter	1	3676780	1	3676780
75		Double nipple with reciprocal 60° - interior cone	1	3676773	1	3676773
76		High pressure filter HDF-3 3/4"	1	2307789	1	2307789
78		Hexagonal screw without shank	2	2304835	2	2304835
79		Ball valve 2 way ND 2 MPa; 20 bar; 290 psi	1	9991512	1	9991512
80		Screw pipe clip	2	9999588	2	9999588
81		Air manifold assy.	1	2303959	1	2303959
82		Holding bracket	1	393306	1	393306
83		Filter regulator set	1	2301061	1	2301061
84	◆	Separating fluid 250 ml	2	9992504	2	9992504
85		Earthing cable assy. 3 m; 9.84 ft	1	236219	1	236219
86		Information plate	1	367805	1	367805
87	◆	High pressure material hose 1AW, DN13, 1.30 m; 4.27 ft	1	3678839	1	3678839
88	◆	High pressure hose DN 6-ND270	1	9987084	1	9987084
89	◆	High pressure hose DN 6-ND270	1	9987115	1	9987115
90		Hose	1	2307791	1	2307791
91		PVC-TX-hose NW25x4,5	1	2307785	1	2307785
92		Hose	1	2307792	1	2307792
93	◆	Sealing ring	3	9974111	3	9974111
		Straight reduction	1	3151777	1	3151777
		Y- Plug connection	1	3159464	1	3159464
		Cable lug with isolation	4	2305661	4	2305661

◆ = Wearing parts

**11.12 BASIC UNIT TWINCONTROL 72-300/150 ABS TROLLEY**

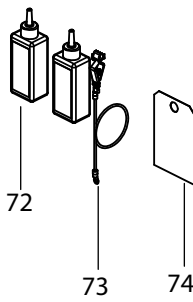
Spare parts list TwinControl 72-300/150 ABS		72-300/150 Turbine Trolley		72-300/150 Cable Trolley		
Pos	K	Description	Qty	No.	Qty	No.
1		TwinControl 72-300/150 ABS	1	393156	1	393157
2		Tiger 72-300 PE/L-M	1	2307752	1	2307752
3		Jaguar 75-150 PE/T-M	1	2307778	1	2307778
4		Leopard 35-70 PE/TG-F	1	2307782	1	2307782
5		Control unit assy.TC2 Cable	1	2304938	1	2304932
6		Trolley TwinControl Jaguar,Tiger	1	2301641	1	2301641
8		Holding control unit	1	2301664	1	2301664
9	◆	Sealing ring 1"	2	9974135	2	9974135
10		Outside thread socket 1"-NW25	2	9985671	2	9985671
11		Hose clips	2	9990224	2	9990224
12	◆	Stroke measurement 2	2	2305982	2	2305982
13	◆	Pressure gauge 0-60 MPa; 0-600 bar; 0-8702 psi	2	9999059	2	9999059
14	◆	Sealing ring	2	9970153	2	9970153
15		High pressure filter HPF-3 3/8"	1	2307779	1	2307779
16		Hardener dosing valve assy. 40 MPa; 400 bar; 5802 psi	1	377143	1	377143
17		Return check valve assy. 53 MPa; 530 bar; 7687 psi	3	2305574	3	2305574
18	◆	Sealing ring	2	9974110	2	9974110
19		Reducing double nipple with 1x40°	2	368958	2	368958
20		Cheese head screw with hexagon	4	9900315	4	9900315
21		Ground plate valve 400-4	1	392307	1	392307
22		High pressure angle adapter on both sides swivelling nut	1	3676780	1	3676780
23		Double nipple with reciprocal 60° - interior cone	1	3676773	1	3676773
24		Reducing nipple	1	2304580	1	2304580
25		Screw-in screw connection adjustable	4	9999084	4	9999084
26		Return check valve assy. M22x1.5	1	377140	1	377140
27		Ball valve with pneumatic drive	1	2303551	1	2303551
28		Threaded connection straight	4	9999085	4	9999085
29		Swivel part, assy.	1	392270	1	392270
30		Mixing bloc	2	377543	2	377543
31		Distance	2	2304566	2	2304566

◆ = Wearing parts

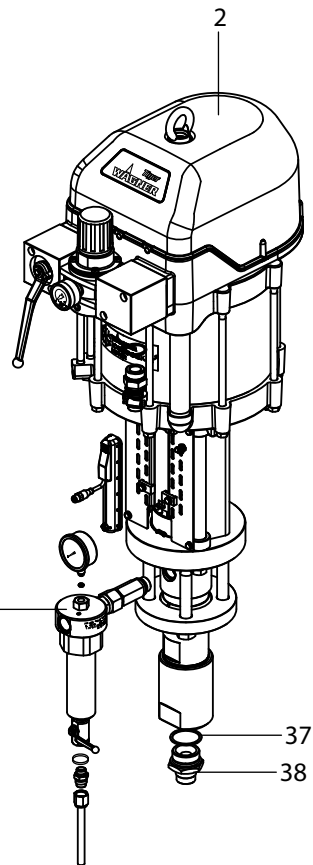
Spare parts list TwinControl 72-300/150 ABS			72-300/150 Turbine Trolley		72-300/150 Cable Trolley	
Pos	K	Description	Qty	No.	Qty	No.
32		Double connection	2	367923	2	367923
33		Mixing pipe	1	389074	1	389074
34		Y-distributor	1	377542	1	377542
35		Lock screw	1	9907127	1	9907127
36		High pressure filter HDF-3 3/4"	1	2307789	1	2307789
37	◆	Sealing ring	1	9974126	1	9974126
38		Reducing double nipple	1	369958	1	369958
39		Spring ring	2	9921501	2	9921501
40		Air manifold assy.	1	2303849	1	2303849
41		Hexagon screw	4	9900202	4	9900202
42		Hexagonal screw without shank	8	9900123	8	9900123
43		Hexagon nut	6	9910107	6	9910107
44		Hexagonal screw without shank	4	9900130	4	9900130
45		Hexagonal screw without shank	2	9900109	2	9900109
46		Angle bracket	1	2304565	1	2304565
47		Hexagonal screw without shank	2	9900151	2	9900151
48		Hexagon screw	2	9900230	2	9900230
49		Hexagon nut with clamp	4	9910204	4	9910204
50		Contact washer	8	3155401	8	3155401
51		Hexagonal screw without shank	4	9900126	4	9900126
53		Cheese head screw with hexagon	1	9900313	1	9900313
54		Contact washer	15	3155404	15	3155404
55		Holding bracket	1	393306	1	393306
56		Washer	10	9920102	10	9920102
57		Oval head screw with hexagon	4	9906303	4	9906303
58		Angle screwing in connection	3	9999066	3	9999066
59		Reducing nipple	1	9985685	1	9985685
60		Screw in angle	1	9998253	1	9998253
61		Colour change valve assy.	1	384103	1	384103
62		Swivel part, assy.	4	384116	4	384116
63		Pipe elbow 90 degrees	6	384117	6	384117
64		Connector assy.	1	115378	1	115378
65		Ball valve made of stainless steel	1	9999159	1	9999159
66		Double connection	3	367962	3	367962

◆ = Wearing parts

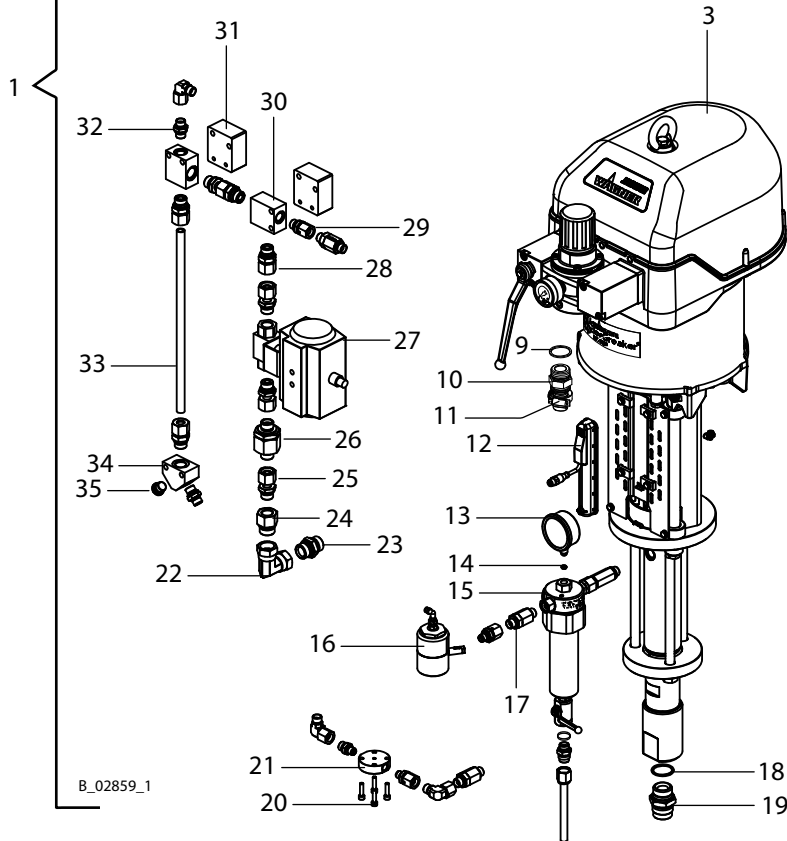
**TwinControl 72-300/150 ABS Gestell / Base frame**



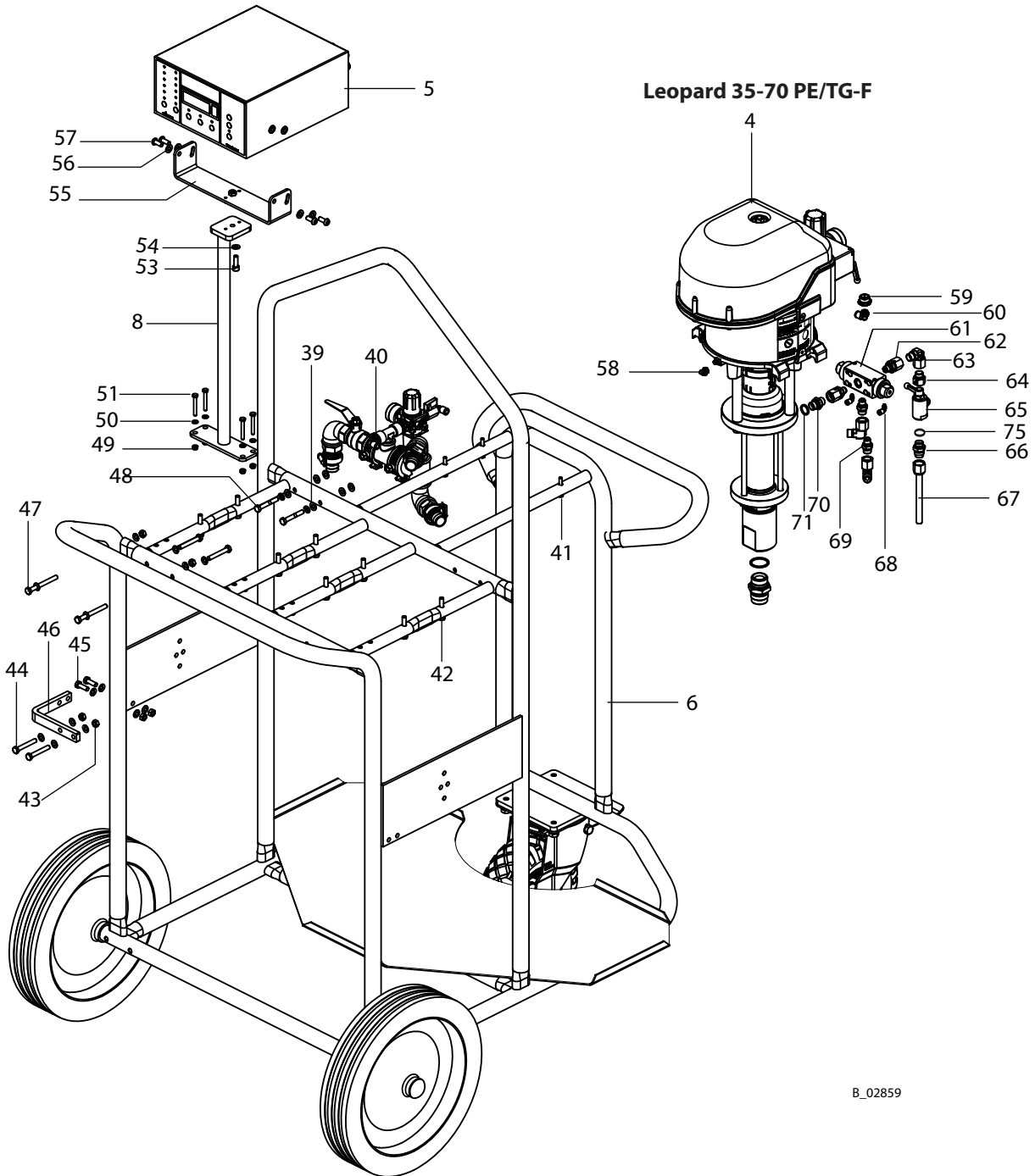
**Tiger 72-300 PE/L-M**



**Jaguar 75-150 PE/T-M**



B\_02859\_1



B\_02859

Spare parts list TwinControl 72-300/150 ABS			72-300/150 Turbine Trolley		72-300/150 Cable Trolley	
Pos	K	Description	Qty	No.	Qty	No.
67		Relief hose assy.	3	367126	3	367126
68		Angle screwing in connection	2	9992724	2	9992724
69		Screwed connector	3	350499	3	350499
70		Double connection	1	367913	1	367913
71	◆	Sealing ring	1	9925024	1	9925024
72	◆	Separating fluid 250 ml	2	9992504	2	9992504
73		Earthing cable assy. 3 m; 9.84 ft	1	236219	1	236219
74		Information plate	1	367805	1	367805
75	◆	Sealing ring	3	9974111	3	9974111
	◆	High pressure hose DN 6-ND530, 1.5 m; 4.92 ft	2	9987007	2	9987007
		Straight reduction	1	3151777	1	3151777
		Y- plug connection	1	3159464	1	3159464
	◆	High pressure hose DN 6-ND270	1	9987115	1	9987115
		Hose	2.5	2307791	2.5	2307791
		PVC-TX-hose NW25x4.5	6.0	2307785	6.0	2307785
		Cable lug with isolation	4	2305661	4	2305661

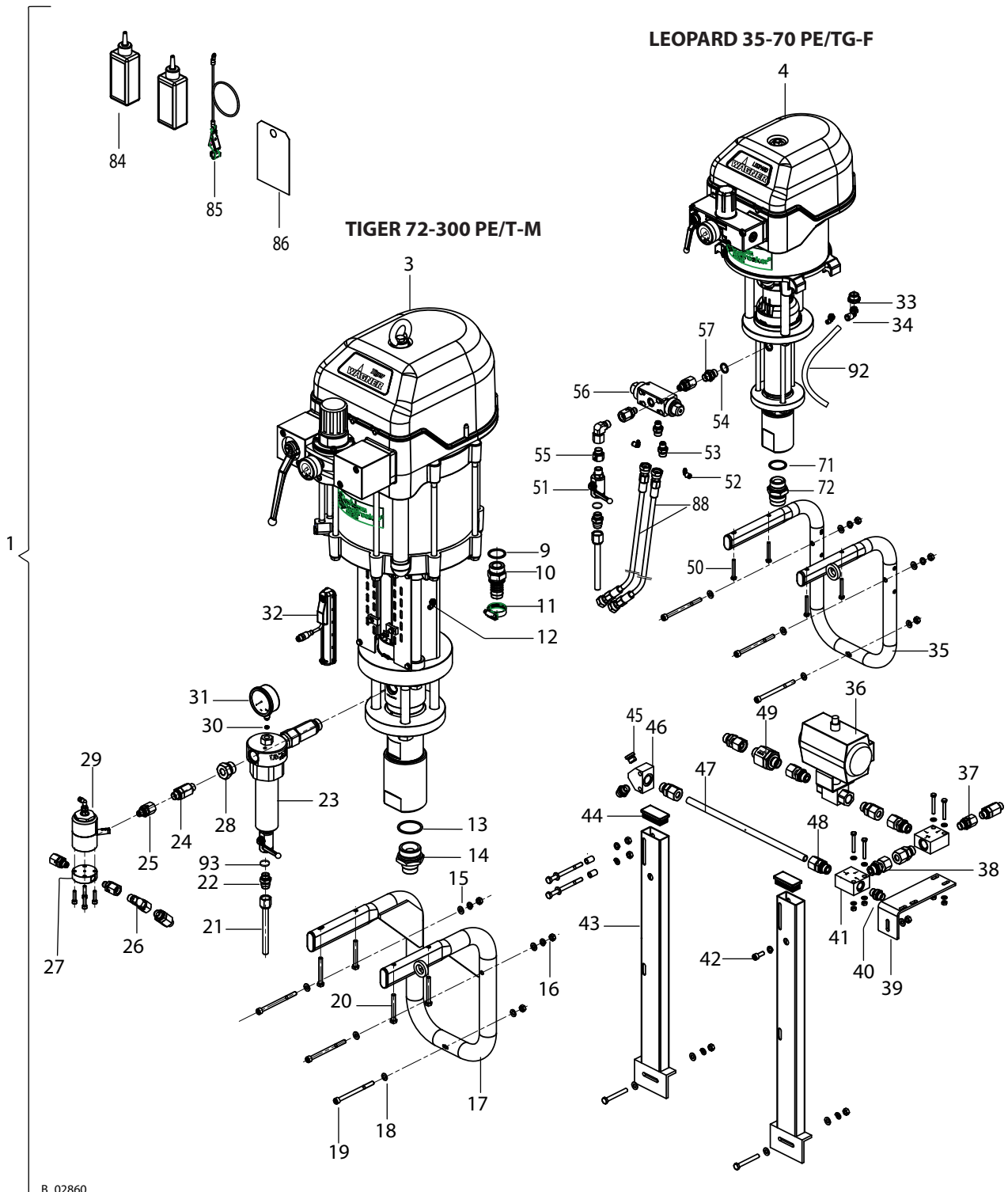
◆ = Wearing parts

**11.13 BASIC UNIT TWINCONTROL 72-300 ABS BASE FRAME**

Spare parts list TwinControl 72-300 ABS			72-300 Turbine Base frame		72-300 Cable Base frame	
Pos	K	Description	Qty	No.	Qty	No.
1		TwinControl 72-300 ABS	1	393158	1	393159
2		Tiger 72-300 PE/L-M	1	2307752	1	2307752
3		Tiger 72-300 PE/T-M	1	2307780	1	2307780
4		Leopard 35-70 PE/TG-F	1	2307782	1	2307782
5		Control unit assy.TC2	1	2304938	1	2304932
6		Base frame	1	393390	1	393390
8		Holder control unit assy.	1	2301116	1	2301116
9	◆	Sealing ring 1"	2	9974135	2	9974135
10		Outside thread socket 1"-NW25	4	9985671	4	9985671
11		Hose clips	4	9990224	4	9990224
12		Angle screwing in connection	3	9999066	3	9999066
13	◆	Sealing ring	2	9974126	2	9974126
14		Reducing double nipple	2	369958	2	369958
15		Washer	23	9920102	23	9920102
16		Hexagon nut	14	9910107	14	9910107
17		Mounting for wall 9	2	369976	2	369976
18		Contact washer	10	3155404	10	3155404
19		Cheese head screw with hexagon	9	9907087	9	9907087
20		Hexagonal screw without shank	10	9900144	10	9900144
21		Relief hose assy.	3	367126	3	367126
22		Double connection	3	367962	3	367962
23		High pressure filter HDF-3 3/4"	2	2307789	2	2307789
24		Return check valve assy. 53 MPa; 530 bar; 7687 psi	3	2305574	3	2305574
25		Swivel part, assy.	5	384116	5	384116
26		Pipe elbow 90 degrees	2	384117	2	384117
27		Ground plate valve 400-4	1	392307	1	392307
28		Reducing nipple	1	2303713	1	2303713
29		Hardener dosing valve assy. 40 MPa; 400 bar; 5802 psi	1	377143	1	377143
30	◆	Sealing ring	2	9970153	2	9970153
31	◆	Pressure gauge 0-60 MPa; 0-600 bar; 0-8702 psi	2	9999059	2	9999059
32	◆	Stroke measurement 2	2	2305982	2	2305982

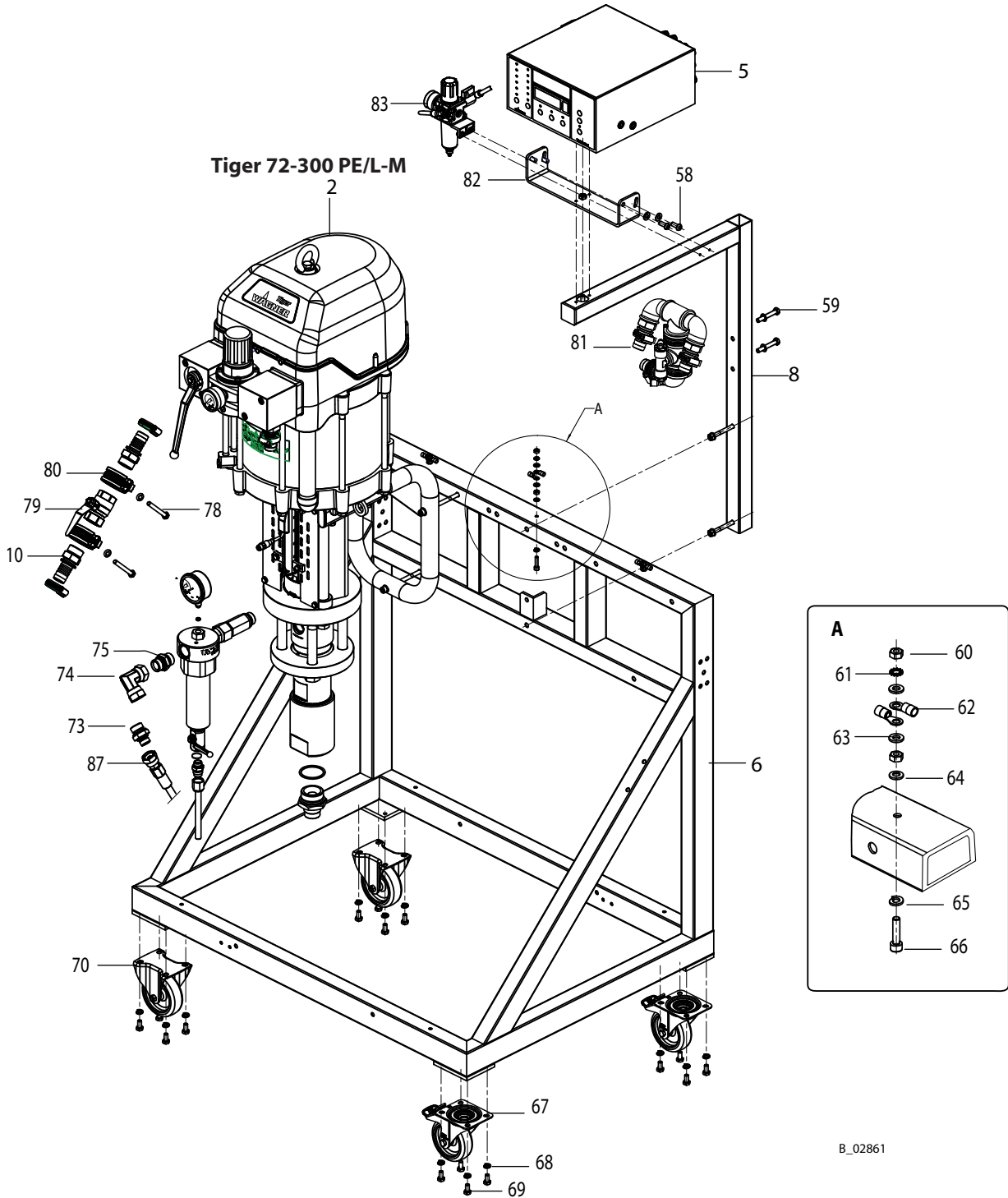
◆ = Wearing parts

**TwinControl 72-300 ABS Gestell / Base frame**



B\_02860





Spare parts list TwinControl 72-300 ABS			72-300 Turbine Base frame		72-300 Cable Base frame	
Pos	K	Description	Qty	No.	Qty	No.
33		Reducing nipple	1	9985685	1	9985685
34		Screw in angle	1	9998253	1	9998253
35		Mounting for wall 6	1	368940	1	368940
36		Ball valve with pneumatic drive	1	2303551	1	2303551
37		Swivel part, assy.	1	392270	1	392270
38		Screw-in screw connection adjustable	4	9999084	4	9999084
39		Angle bracket	1	2303635	1	2303635
40		Double connection	2	367923	2	367923
41		Mixing bloc	2	377543	2	377543
42		Cheese head screw with hexagon	1	9900318	1	9900318
43		Holder	2	393425	2	393425
44		Plug 60 30	2	9998887	2	9998887
45		Lock screw	1	9907127	1	9907127
46		Y-distributor	1	377542	1	377542
47		Mixing pipe	1	389074	1	389074
48		Threaded connection straight	4	9999085	4	9999085
49		Return check valve assy. M22x1.5	1	377140	1	377140
50		Hexagonal screw without shank	8	9900126	8	9900126
51		Ball valve made of stainless steel	1	9999159	1	9999159
52		Angle screwing in connection	2	9992724	2	9992724
53		Screwed connector	2	350499	2	350499
54	◆	Sealing ring	1	9925024	1	9925024
55		Connector assy.	1	115378	1	115378
56		Colour change valve assy.	1	384103	1	384103
57		Double connection	1	367913	1	367913
58		Oval head screw with hexagon	4	9906303	4	9906303
59		Hexagon screw	2	9900230	2	9900230
60		Hexagon nut	10	9910102	10	9910102
61		Lock washer outside toothed	3	9922017	3	9922017
62		Cable lug	10	9950604	10	9950604
63		Washer	10	9920103	10	9920103
64		Contact washer	7	3155401	7	3155401
65		Spring ring	3	9921502	3	9921502
66		Cheese head screw with hexagon	7	9900315	7	9900315

◆ = Wearing parts

Spare parts list TwinControl 72-300 ABS			72-300 Turbine Base frame		72-300 Cable Base frame	
Pos	K	Description	Qty	No.	Qty	No.
67		Swivel roller with clamp	2	9999573	2	9999573
68		Spring ring	37	9921501	37	9921501
69		Hexagonal screw without shank	16	9900221	16	9900221
70		Fixed castor	2	9999574	2	9999574
71	◆	Sealing ring	1	9974110	1	9974110
72		Reducing double nipple with 1x40°	1	368958	1	368958
73		High pressure reduction adapter straight 3/4"-1/2", 60°	1	3677079	1	3677079
74		High pressure angle adapter with both sides swivelling nut	1	3676780	1	3676780
75		Double nipple with reciprocal 60° - interior cone	1	3676773	1	3676773
78		Hexagonal screw without shank	2	2304835	2	2304835
79		Ball valve 2 way ND 2 MPa; 20 bar; 290 psi	1	9991512	1	9991512
80		Screw pipe clip	2	9999588	2	9999588
81		Air manifold assy.	1	2303959	1	2303959
82		Holding bracket	1	393306	1	393306
83		Filter regulator set	1	2301061	1	2301061
84	◆	Separating fluid 250 ml	2	9992504	2	9992504
85		Earthing cable assy. 3 m; 9.84 ft	1	236219	1	236219
86		Information plate	1	367805	1	367805
87	◆	High pressure material hose 1AW, DN13, 1.30 m; 4.26 ft	1	3678839	1	3678839
88	◆	High pressure hose DN 6-ND270	2	9987084	2	9987084
90		Hose 2.5 m; 8.20 ft	1	2307791	1	2307791
91		PVC-TX-hose NW25x4.5; 6 m; 19.69 ft	1	2307785	1	2307785
92		Hose	1	2307792	1	2307792
93	◆	Sealing ring	3	9974111	3	9974111
		Cable lug with isolation	4	2305661	4	2305661
		Distance	2	2305931	2	2305931
		Straight reduction	1	3151777	1	3151777
		Y- plug connection	1	3159464	1	3159464
		High pressure hose D08	1	9987124	1	9987124
		Hexagon screw	2	2301041	2	2301041

◆ = Wearing parts

**11.14 BASIC UNIT TWINCONTROL 72-300 ABS TROLLEY**

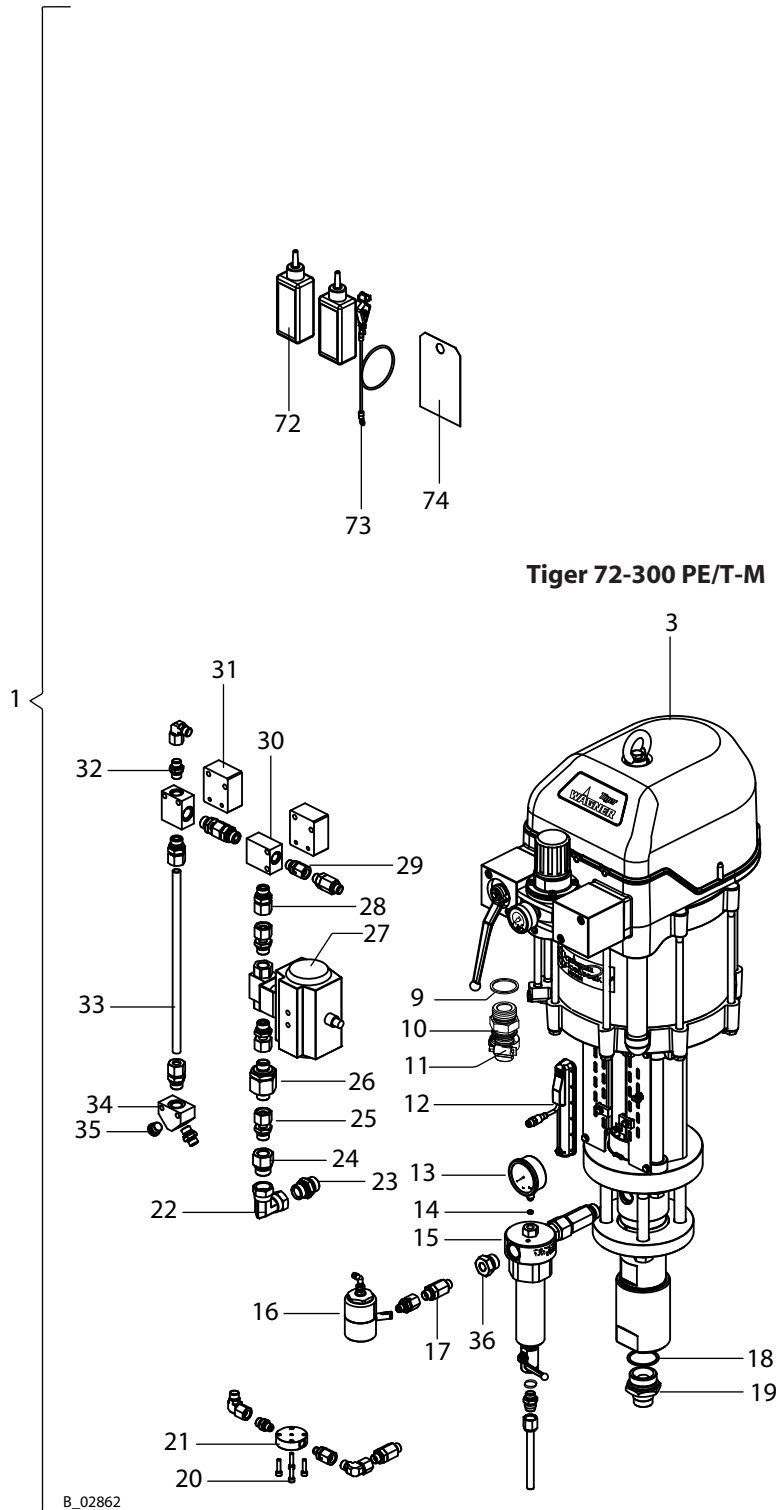
Spare parts list TwinControl 72-300 ABS			72-300 Turbine Trolley		72-300 Cable Trolley	
Pos	K	Description	Qty	No.	Qty	No.
1		TwinControl 72-300/150 ABS	1	393160	1	393161
2		Tiger 72-300 PE/L-M	1	2307752	1	2307752
3		Tiger 72-300 PE/T-M	1	2307780	1	2307780
4		Leopard 35-70 PE/TG-F	1	2307782	1	2307782
5		Control unit assy.TC2	1	2304938	1	2304932
6		Trolley TwinControl Jaguar,Tiger	1	2301641	1	2301641
8		Holding control unit	1	2301664	1	2301664
9	◆	Sealing ring 1"	2	9974135	2	9974135
10		Outside thread socket 1"-NW25	2	9985671	2	9985671
11		Hose clips	2	9990224	2	9990224
12	◆	Stroke measurement 2	2	2305982	2	2305982
13	◆	Pressure gauge 0-60 MPa; 0-600 bar; 0-8702 psi	2	9999059	2	9999059
14	◆	Sealing ring	2	9970153	2	9970153
15		High pressure filter HPF-3 3/8"	2	2307789	2	2303639
16		Hardener dosing valve assy. 40 MPa; 400 bar; 5802 psi	1	377143	1	377143
17		Return check valve assy. 53 MPa; 530 bar; 7687 psi	3	2305574	3	2305574
18	◆	Sealing ring	2	9974126	2	9974126
19		Reducing double nipple	2	369958	2	369958
20		Cheese head screw with hexagon	4	9900315	4	9900315
21		Ground plate valve 400-4	1	392307	1	392307
22		High pressure angle adapter on both sides swivelling nut	1	3676780	1	3676780
23		Double nipple with reciprocal 60° - interior cone	1	3676773	1	3676773
24		Reducing nipple	1	2304580	1	2304580
25		Screw-in screw connection adjustable	4	9999084	4	9999084
26		Return check valve assy. M22x1.5	1	377140	1	377140
27		Ball valve with pneumatic drive	1	2303551	1	2303551
28		Threaded connection straight	4	9999085	4	9999085
29		Swivel part, assy.	1	392270	1	392270
30		Mixing bloc	2	377543	2	377543
31		Distance	2	2304566	2	2304566

◆ = Wearing parts

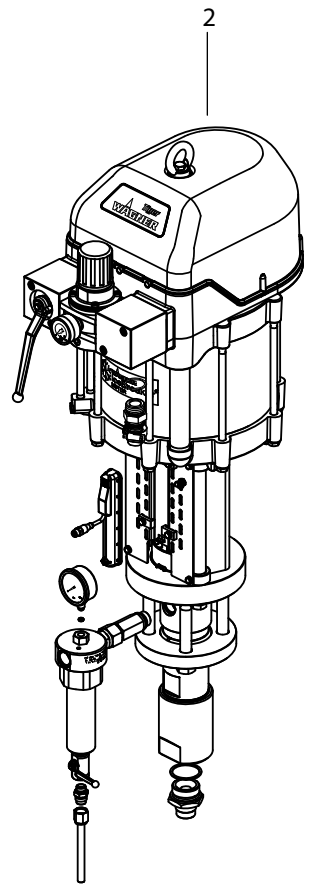
Spare parts list TwinControl 72-300 ABS			72-300 Turbine Trolley		72-300 Cable Trolley	
Pos	K	Description	Qty	No.	Qty	No.
32		Double connection	2	367923	2	367923
33		Mixing pipe	1	389074	1	389074
34		Y-distributor	1	377542	1	377542
35		Lock screw	1	9907127	1	9907127
36		Reducing nipple	1	2303713	1	2303713
37	◆	Sealing ring	1	9974110	1	9974110
38		Reducing double nipple with 1 x 40°	1	368958	1	368958
39		Spring ring	2	9921501	2	9921501
40		Air manifold assy.	1	2303849	1	2303849
41		Hexagon screw	4	9900202	4	9900202
42		Hexagonal screw without shank	8	9900123	8	9900123
43		Hexagon nut	6	9910107	6	9910107
44		Hexagonal screw without shank	4	9900130	4	9900130
45		Hexagonal screw without shank	2	9900109	2	9900109
46		Angle bracket	1	2304565	1	2304565
47		Hexagonal screw without shank	2	9900151	2	9900151
48		Hexagon screw	2	9900230	2	9900230
49		Hexagon nut with clamp	4	9910204	4	9910204
50		Contact washer	8	3155401	8	3155401
51		Hexagonal screw without shank	4	9900126	4	9900126
53		Cheese head screw with hexagon	1	9900313	1	9900313
54		Contact washer	15	3155404	15	3155404
55		Holding bracket	1	393306	1	393306
56		Washer	10	9920102	10	9920102
57		Oval head screw with hexagon	4	9906303	4	9906303
58		Angle screwing in connection	3	9999066	3	9999066
59		Reducing nipple	1	9985685	1	9985685
60		Screw in angle	1	9998253	1	9998253
61		Colour change valve assy.	1	384103	1	384103
62		Swivel part, assy.	4	384116	4	384116
63		Pipe elbow 90 degrees	6	384117	6	384117
64		Connector assy.	1	115378	1	115378
65		Ball valve made of stainless steel	1	9999159	1	9999159
66		Double connection	3	367962	3	367962

◆ = Wearing parts

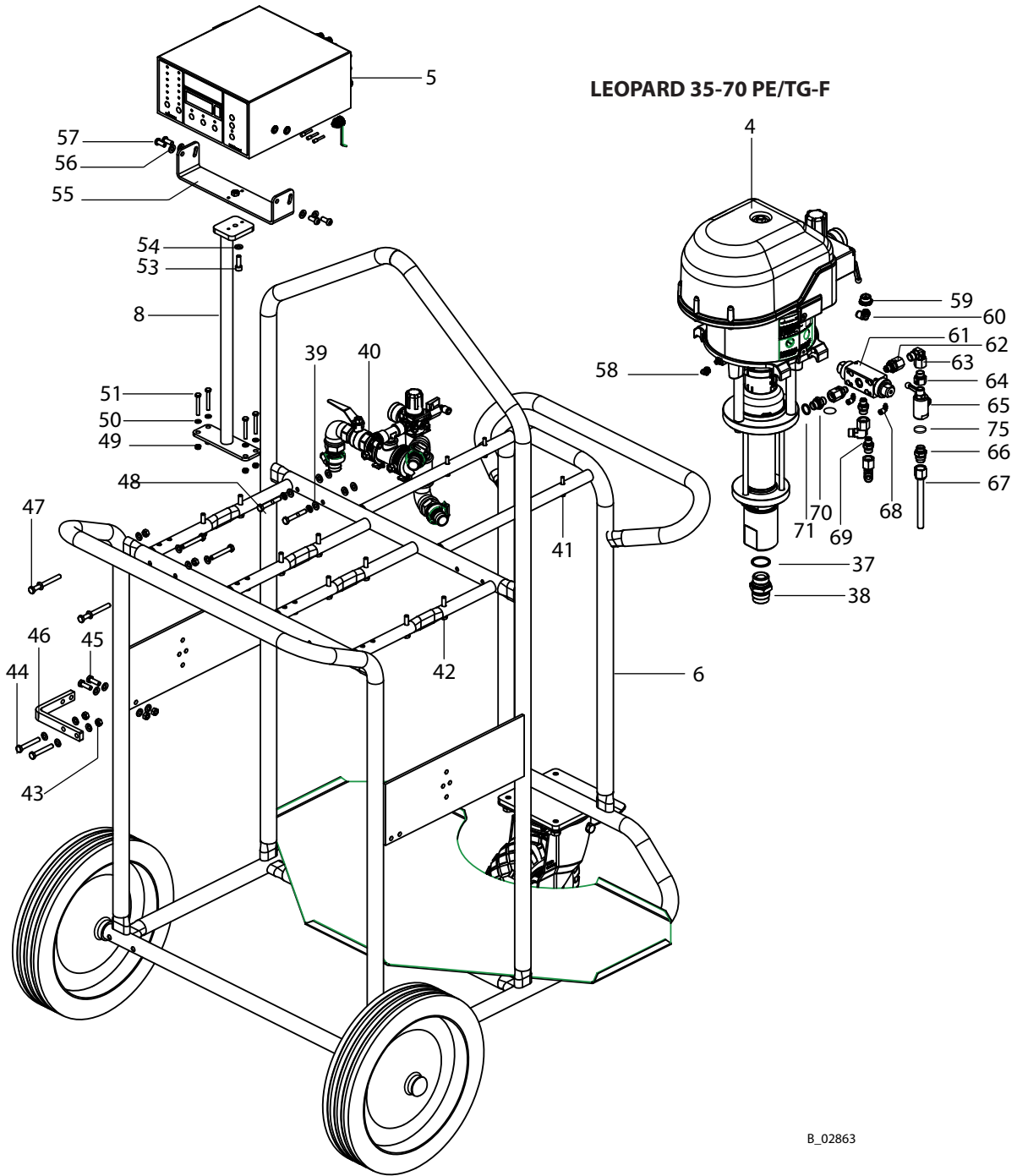
**TwinControl 72-300 ABS Wagen / Trolley**



**Tiger 72-300 PE/L-M**



B\_02862



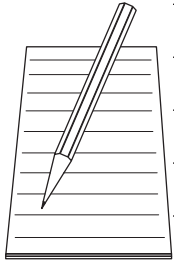
B\_02863

Spare parts list TwinControl 72-300 ABS			72-300 Turbine Trolley		72-300 Cable Trolley	
Pos	K	Description	Qty	No.	Qty	No.
67		Relief hose assy.	3	367126	3	367126
68		Angle screwing in connection	2	9992724	2	9992724
69		Screwed connector	3	350499	3	350499
70		Double connection	1	367913	1	367913
71	◆	Sealing ring	1	9925024	1	9925024
72	◆	Separating fluid 250 ml	2	9992504	2	9992504
73		Earthing cable assy. 3 m; 9.84 ft	1	236219	1	236219
74		Information plate	1	367805	1	367805
75	◆	Sealing ring	3	9974111	3	9974111
	◆	High pressure hose DN 6-ND530 1.5 m; 4.92 ft	2	9987007	2	9987007
		Straight reduction	1	3151777	1	3151777
		Y- plug-in connection	1	3159464	1	3159464
	◆	High pressure hose DN 6-ND270	1	9987115	1	9987115
		Hose	2.5	2307791	2.5	2307791
		PVC-TX-hose NW25x4.5	6.0	2307785	6.0	2307785
		Cable lug with isolation	4	2305661	4	2305661

◆ = Wearing parts



**SPARE PARTS CATALOGUE**



A series of horizontal lines extending across the page, providing a space for handwritten notes or entries.

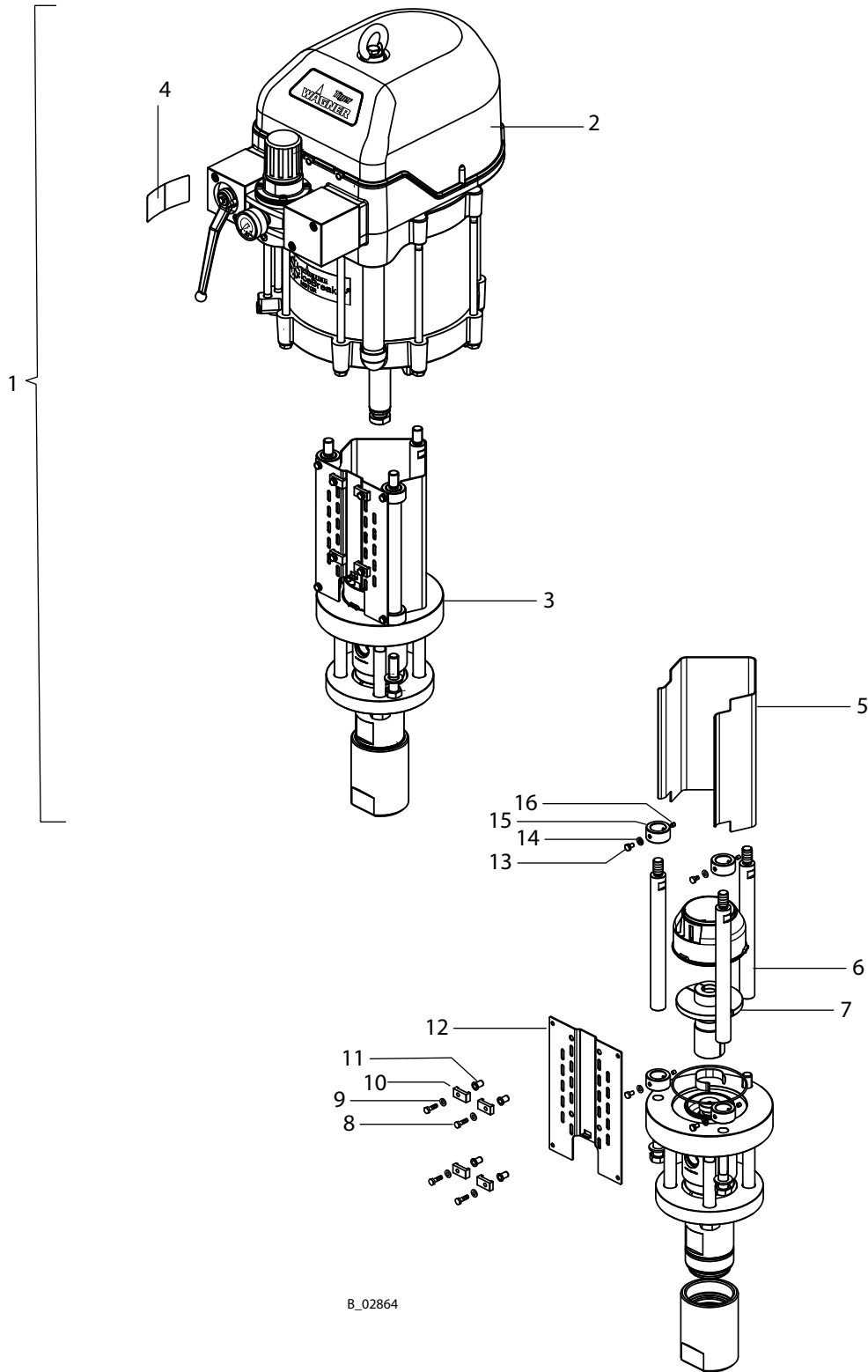
## 12 SPARE PARTS OF COMPONENTS OF THE BASIC EQUIPMENTS

### 12.1 PNEUMATIC PUMP TIGER TYPE M

Use of the pumps:	For basic equipments: - TwinControl 72-300/150 ABS - TwinControl 72-300 ABS
Further here not specified spare parts to the pumps designated down are to be found to „Tiger 72-300“ in the enclosed manual. Part no. see chapter 1.	

Spare parts list			TIGER 72-300 PE/L-M		TIGER 72-300 PE/T-M	
Pos	K	Description	Qty	No.	Qty	No.
1		Tiger 72-300 ../.-M	1	2307752	1	2307780
2		Air motor 12"	1	370080	1	370080
3		Material pump 300 HD ../.-M	1	2307747	1	2303066
4		Type plate PP3000	1	367800	1	367800
5		Cover plate	1	393405	1	393405
6		Threaded bolt M16x253	3	393400	3	393400
7		Coupling assy. 33/33	1	393404	1	393404
8		Hexagonal screw without shank (stainless)	4	9907205	4	9907205
9		Washer	4	9920109	4	9920109
10		Compressor rod	4	393407	4	393407
11		Blind rivet nut flat head open M6	4	9999522	4	9999522
12		Front sheet metal	1	393406	1	393406
13		Hexagonal screw without shank	4	9900105	4	9900105
14		Washer	4	9920103	4	9920103
15		Tension ring D25	4	393401	4	393401

◆ = Wearing parts



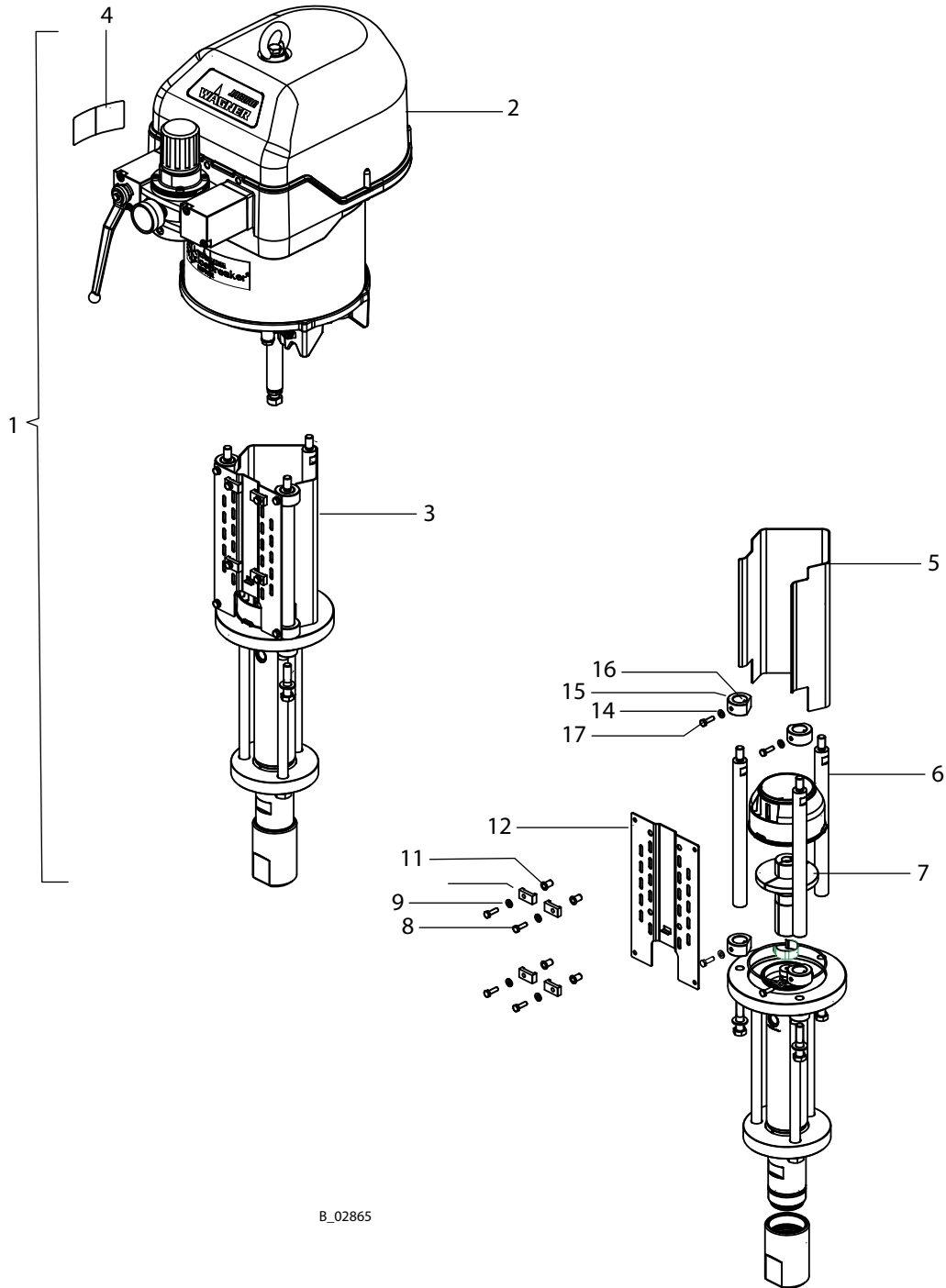
B\_02864

## 12.2 PNEUMATIC PUMP JAGUAR TYPE M

Use of the pumps:	for basic equipments: - TwinControl 72-300/150 ABS - TwinControl 75-150 ABS
Further here not specified spare parts to the pumps designated down are to be found to „IceBreaker piston pumps 40-150 cm <sup>3</sup> “ in the enclosed manual. Part no. see chapter 1.	

Spare parts list			Jaguar 75-150 PE/TG-M		Jaguar 75-150 PE/T-M	
Pos	K	Description	Qty	No.	Qty	No.
1		Jaguar 75-150 ../.-M	1	2307776	1	2307778
2		Air motor 9"	1	369080	1	369080
3		Material pump 150 ../.-M	1	2307751	1	2303169
4		Type plate PP3000	1	367800	1	367800
5		Cover plate	1	393413	1	393413
6		Threaded bolt M12x264	3	393408	3	393408
7		Coupling assy. 23/23	1	393412	1	393412
8		Hexagonal screw without shank (stainless)	4	9907205	4	9907205
9		Washer	4	9920109	4	9920109
10		Compressor rod	4	393407	4	393407
11		Blind rivet nut flat head open M6	4	9999522	4	9999522
12		Front sheet metal	1	393414	1	393414
14		Washer	4	9920103	4	9920103
15		Tension ring D22	4	393409	4	393409
16		Thread pin with hexagon/ flat point	4	9907230	4	9907230
17		Hexagonal screw without shank	4	9900105	4	9900105

◆ = Wearing parts



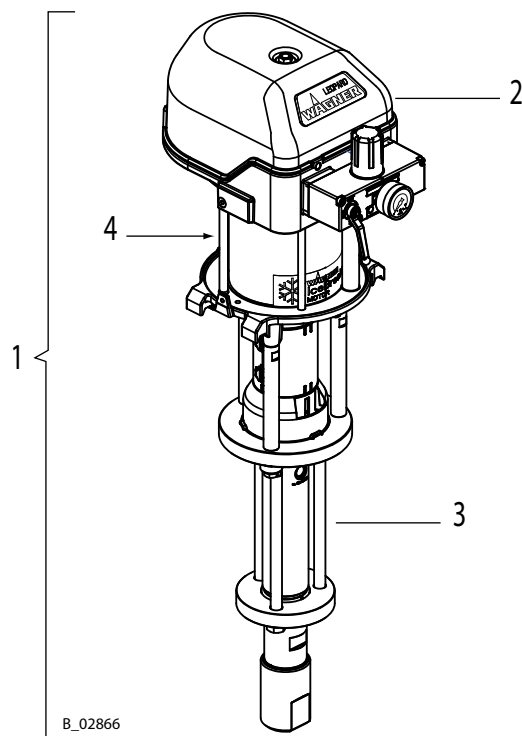
B\_02865

**12.3 PNEUMATIC PUMP LEOPARD TYPE M AND F**

<b>Leopard 48-110 Type M</b>	Use of the pumps for basic equipments: - TwinControl 48-110 ABS
Further here not specified spare parts to the pumps designated down are to be found to „IceBreaker piston pumps 40-150 cm <sup>3</sup> “ in the enclosed manual. Part no. see chapter 1.	

Spare parts list			Leopard 48-110 PE/TG-M		Leopard 48-110 PE/T-M	
Pos	K	Description	Qty	No.	Qty	No.
1		Leopard 48-110 ../.-M	1	2307773	1	2307775
2		Air motor 6-150	1	2307774	1	2307774
3		Material pump 110 ../.-M	1	368077	1	368078
4		Type plate PP3000	1	367800	1	367800

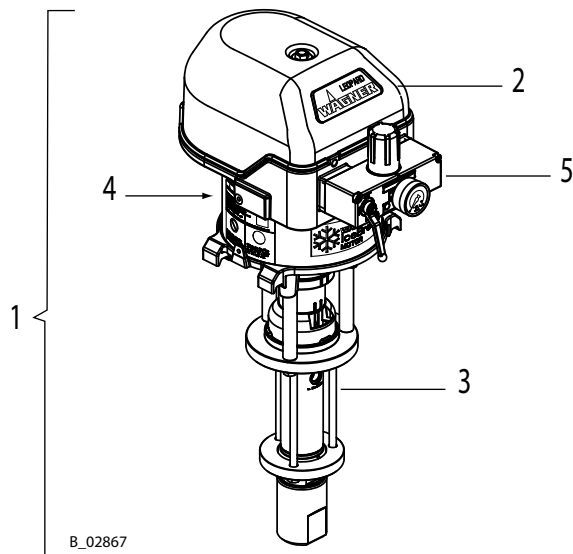
◆ = Wearing parts



<p><b>Leopard 35-70 Type M and F</b></p>	<p>Use of the pumps for basic equipments:</p> <ul style="list-style-type: none"> <li>- TwinControl 35-70 ABS</li> <li>- TwinControl 35-150/70 ABS</li> <li>- TwinControl 75-150 ABS</li> <li>- TwinControl 72-300/150 ABS</li> <li>- TwinControl 72-300 ABS</li> </ul>
<p>Further here not specified spare parts to the pumps designated down are to be found to „IceBreaker piston pumps 40-150 cm<sup>3</sup>“ in the enclosed manual. Part no. see chapter 1.</p>	

Spare parts list		Leopard 35-70 PE/TG-M		Leopard 35-70 PE/T-M		Leopard 35-70 PE/TG-F		
Pos	K	Description	Qty	No.	Qty	No.	Qty	No.
1		Leopard 35-70 ../..-	1	2307769	1	2307770	1	2307782
2		Air motor 6-75	1	2307772	1	2307772	1	368260
3		Material pump 70 ../..-M	1	368070	1	368076	1	368070
4		Type plate PP3000	1	367800	1	367800	1	367800
5		Pressure regulator unit 6	--	-	-	-	1	2303116

◆ = Wearing parts

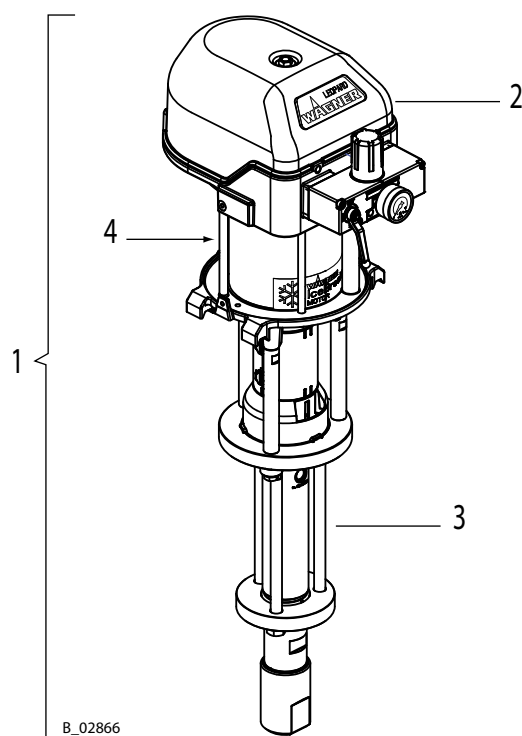


B\_02867

<b>Leopard 35-150 Type M</b>	Use of the pumps for basic equipments: - TwinControl 35-150/70 ABS
Further here not specified spare parts to the pumps designated down are to be found to „IceBreaker piston pumps 40-150 cm <sup>3</sup> “ in the enclosed manual. Part No. see chapter 1.	

Spare parts list			Leopard 35-150 PE/TG-M	
Pos	K	Description	Qty	No.
1		Leopard 35-150 ../.-M	1	2307784
2		Air motor 6-150	1	2307774
3		Material pump 150 ../.-M	1	368071
4		Type plate PP3000	1	367800

◆ = Wearing parts



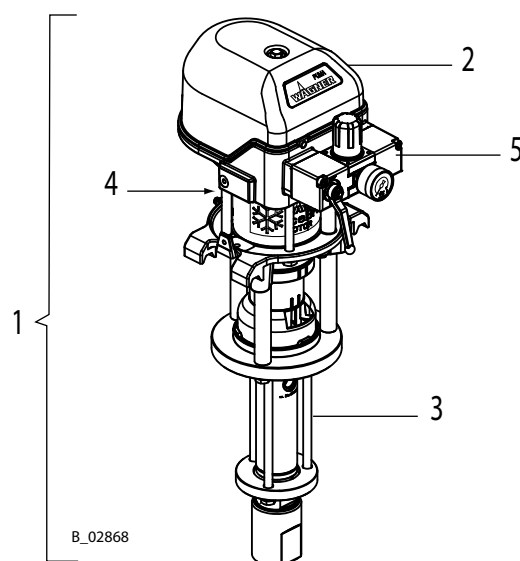


## 12.4 PNEUMATIC PUMP PUMA TYPE M AND F

<b>Puma 28-40 Type M and F</b>	Use of the pumps for basic equipments: - TwinControl 28-40 ABS - TwinControl 35-70 ABS - TwinControl 35-150/70 ABS - TwinControl 48-110 ABS
Further here not specified spare parts to the pumps designated down are to be found to „IceBreaker piston pumps 40-150 cm <sup>3</sup> “ in the enclosed manual. Part no. see chapter 1.	

Spare parts list		Puma 28-40 PE/TG-M		Puma 28-40 PE/T-M		Puma 28-40 PE/TG-F		
Pos	K	Description	Qty	No.	Qty	No.	Qty	No.
1		Puma 28-40 ../.-.	1	2307766	1	2307771	1	2307781
2		Air motor 4/75 incl. pos. 5	1	2307767	1	2307767	1	2308929
3		Material pump 40	1	367070	1	367072	1	367070
4		Type plate PP3000	1	367800	1	367800	1	367800
5		Pressure regulator unit 4	--	-	-	-	1	2303114

◆ = Wearing parts

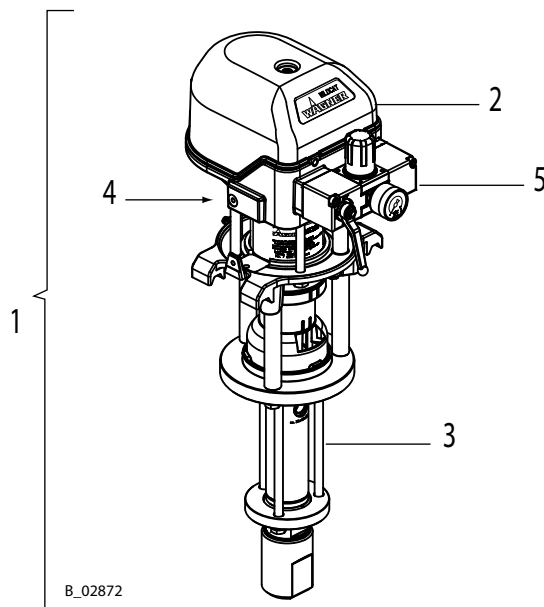


## 12.5 PNEUMATIC PUMP WILDCAT TYPE M AND F

<b>Wildcat 18-40 Type M and F</b>	Use of the pumps for basic equipments - TwinControl 18-40 ABS
Further here not specified spare parts to the pumps designated down are to be found to „IceBreaker piston pumps 40-150 cm <sup>3</sup> “ in the enclosed manual. Part no. see chapter 1.	

Spare parts list		Wildcat 18-40 PE/TG-M		Wildcat 18-40 PE/T-M		Wildcat 18-40 PE/TG-F		
Pos	K	Description	Qty	No.	Qty	No.	Qty	No.
1		Wildcat 18-40 ../..-	1	2307753	1	2307755	1	2307783
2		Air motor 3/75 incl. pos. 5	1	2307754	1	2307754	1	2308930
3		Material pump 40	1	367070	1	367072	1	367070
4		Type plate PP3000	1	367800	1	367800	1	367800
5		Pressure regulator unit 4	--	-	-	-	1	2303114

◆ = Wearing parts

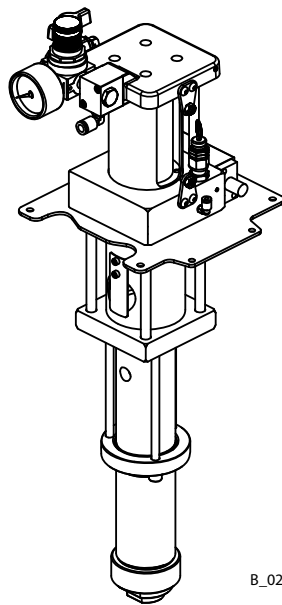


**12.6 PNEUMATIC PUMP EVOMOTION STAINLESS STEEL 5-60**

<b>EvoMotion Stainless steel</b>	Use of the pumps for basic equipments - TwinControl 5-60 ABS
Further here not specified spare parts to the pumps designated down are to be found to „Piston pumps 40 cm <sup>3</sup> “ in the enclosed manual. Part No. see chapter 1.	

<b>Spare parts list</b>			with Stroke sensor connection		without Stroke sensor connection	
<b>Pos</b>	<b>K</b>	<b>Description</b>	<b>Qty</b>	<b>No.</b>	<b>Qty</b>	<b>No.</b>
1	◆	Piston pump 5-60 assy.	1	U1505060P01	1	U1505060P

◆ = Wearing part

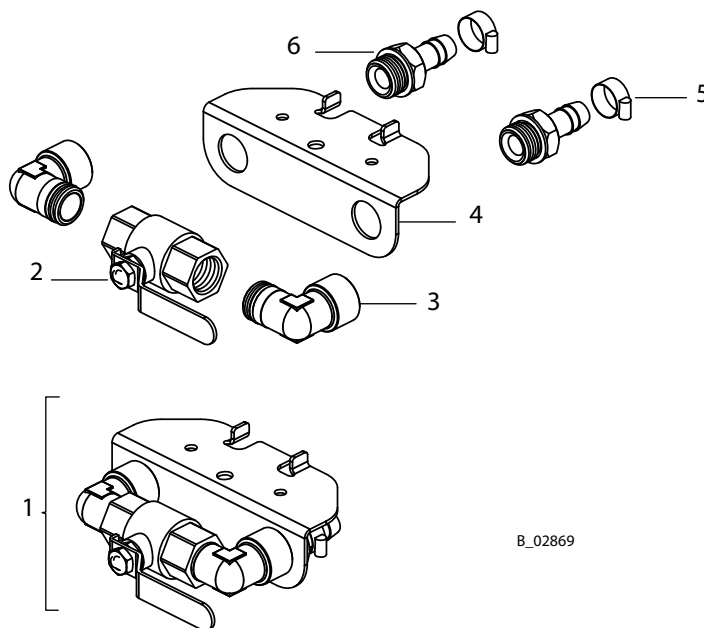


B\_02972

## 12.7 AIR CONNECTION ASSY. 2305082

Spare parts list				
Pos	K	Qty	Part No.	Description
1		1	2305082	Air connection assy.
2		1	9999535	Ball valve IG/IG
3		2	9992238	Fitting L (G1/2)
4		1	2305084	Mounting plate
5		2	9990404	Hose clips
6		2	9985619	Hose nozzle

◆ = Wearing parts



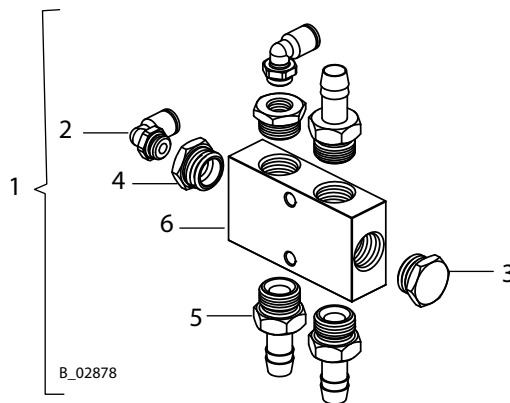
B\_02869

## 12.8 AIR MANIFOLD 2302357

<b>Air manifold</b>	Use of the following basic equipments - TwinControl 18-40 ABS - TwinControl 28-40 ABS - TwinControl 35-70 ABS - TwinControl 35-150/70 ABS - TwinControl 48-110 ABS Base frame
---------------------	----------------------------------------------------------------------------------------------------------------------------------------------------------------------------------------------

Spare parts list				
Pos	K	Qty	Part No.	Description
1		2	2302357	Air manifold
2		2	9998253	Screw in angle
3		1	3051008	Lock screw G1/2
4		2	9985685	Reducing nipple
5		3	9985619	Hose nozzle
6		1	2302358	Pneumatic manifold block

◆ = Wearing parts

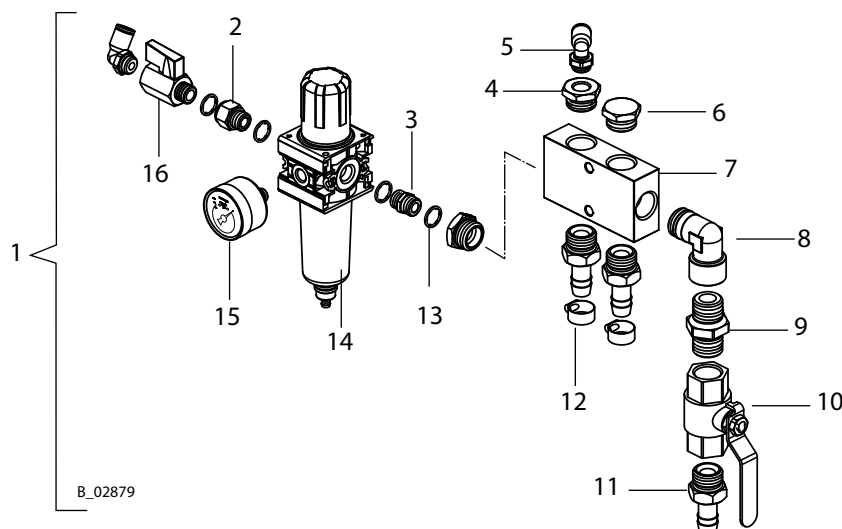


## 12.9 FILTER REGULATOR SET TROLLEY 2307787

<b>Air manifold</b>	Use of the following basic equipments - TwinControl 35-150/70 ABS Trolley - TwinControl 48-110 ABS Trolley
---------------------	------------------------------------------------------------------------------------------------------------------

Spare parts list				
Pos	K	Qty	Part No.	Description
1		1	2307787	Filter regulator set
2		1	9985682	Reducer
3		1	128662	Double nipple
4		2	9985685	Reducing nipple
5		2	9998253	Screw in angle
6		1	3051008	Lock screw G1/2
7		1	2302358	Pneumatic manifold block
8		1	9992238	Fitting L (G1/2)
9		1	9985598	Double nipple GF-280
10		1	9999535	Ball valve IG/IG
11		3	9985619	Hose nozzle
12		2	9990404	Hose clips
13	◆	4	9970149	Sealing ring 2661-1/4
14		1	115313	Pressure regulator SK-1/4 assy.
15	◆	1	9998677	Pressure gauge 0-1 MPa; 0-10 bar; 0-145 psi
16		1	9991112	Ball valve

◆ = Wearing parts

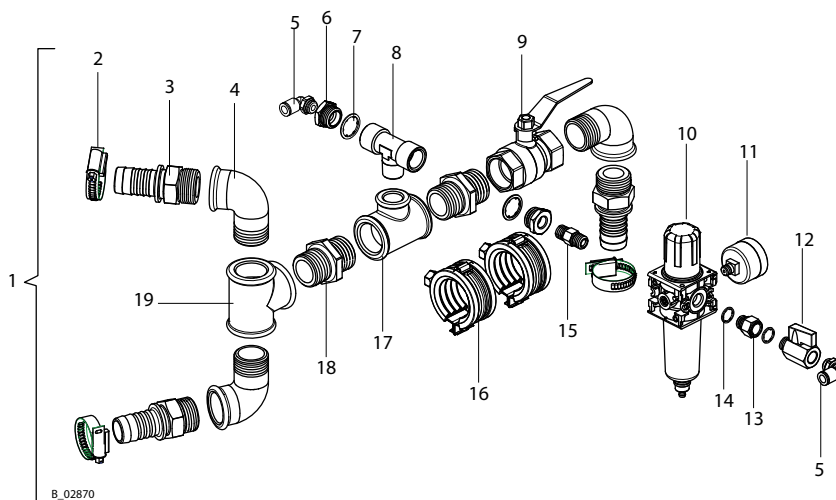


## 12.10 AIR MANIFOLD 2303849

<b>Air manifold to trolley versions</b>	Use of the following basic equipments - TwinControl 75-150 ABS Trolley - TwinControl 72-300/150 ABS Trolley - TwinControl 72-300 ABS Trolley
-----------------------------------------	-------------------------------------------------------------------------------------------------------------------------------------------------------

Spare parts list				
Pos	K	Qty	Part No.	Description
1		1	2303849	Air manifold assy.
2		3	9990224	Hose clips
3		3	9985671	Outside thread socket 1"-NW25
4		3	9985613	Angle 90° IG/AG
5		2	9998253	Screw in angle
6		2	9985685	Reducing nipple
7	◆	2	9970148	Sealing ring 2661-1/2
8		1	9985683	T-piece
9		1	9991512	Ball valve 2 way ND 2 MPa; 20 bar; 290 psi
10		1	115313	Pressure regulator SK-1/4 assy.
11	◆	1	9998677	Pressure gauge 0-1 MPa; 0-10 bar; 0-145 psi (d40)
12		1	9991112	Ball valve
13		1	9985682	Reducer
14	◆	2	9970149	Sealing ring 2661-1/4
15		1	9994627	Double nipple R1/4-R1/4
16		2	9999588	Screw pipe clip
17		1	3141234	T-piece, reduced 1"-1/2"-1" GF-130
18		2	9998147	Double nipple GF-280
19		1	9999199	T-piece all the same GF-130

◆ = Wearing parts

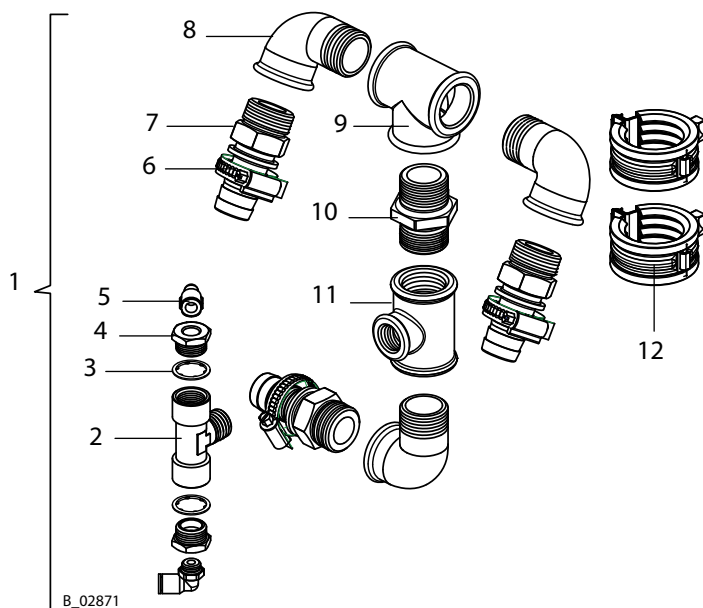


## 12.11 AIR MANIFOLD 2303959

<b>Air manifold to base frame versions</b>	Use of the following basic equipments - TwinControl 75-150 ABS Base frame - TwinControl 72-300/150 ABS Base frame - TwinControl 72-300 ABS Base frame
--------------------------------------------	----------------------------------------------------------------------------------------------------------------------------------------------------------------

Spare parts list				
Pos	K	Qty	Part No.	Description
1		1	2303959	Air manifold assy.
2		1	9985683	T-piece
3	◆	2	9970148	Sealing ring 2661-1/2
4		2	9985685	Reducing nipple
5		2	9998253	Screw in angle
6		3	9990224	Hose clips
7		3	9985671	Outside thread socket 1"-NW25
8		3	9985613	Angle 90° IG/AG
9		1	9999199	T-piece all the same GF-130
10		1	9998147	Double nipple GF-280
11		1	3141234	T-piece, reduced 1"-1/2"-1" GF-130
12		2	9999588	Screw pipe clip

◆ = Wearing parts



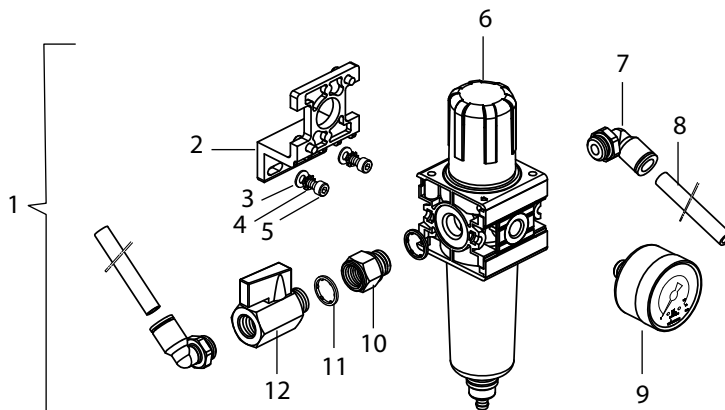


## 12.12 FILTER REGULATOR SET 2301061

<b>Filter regulator</b>	Use of the following basic equipments - TwinControl 18-40 ABS - TwinControl 28-40 ABS - TwinControl 35-70 ABS - TwinControl 35-150/70 ABS Base frame - TwinControl 48-110 ABS Base frame - TwinControl 75-150 ABS Base frame - TwinControl 72-300/150 ABS Base frame - TwinControl 72-300 ABS Base frame
-------------------------	----------------------------------------------------------------------------------------------------------------------------------------------------------------------------------------------------------------------------------------------------------------------------------------------------------------------------------

Spare parts list				
Pos	K	Qty	Part No.	Description
1		1	2301061	Filter regulator set
2		1	9998781	Mounting set
3		2	9920104	Washer
4		2	9922101	Serrated washer outside toothed
5		2	3067610	Cheese head screw with hexagon
6		1	115313	Pressure regulator SK-1/4 assy.
7		2	9998253	Screw in angle
8		1	2307790	Hose 1 m; 3.28 ft
9	◆	1	9998677	Pressure gauge 0-1 MPa; 0-10 bar; 0-145 psi (d40)
10		1	9985682	Reducer
11	◆	2	9970149	Sealing ring 2661-1/4
12		1	9991112	Ball valve

◆ = Wearing parts

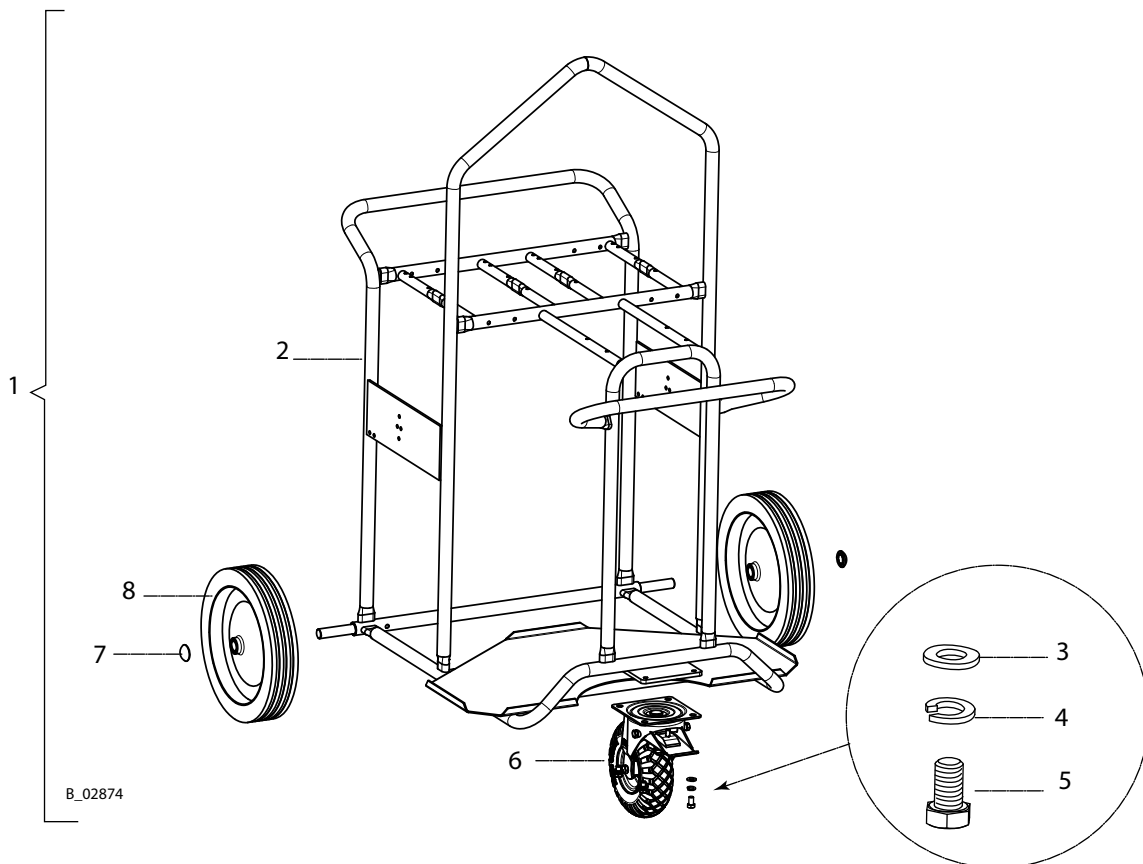


**12.13 TROLLEY JAGUAR/ TIGER 2301641**

<b>Trolley</b>	Use of the following basic equipments - TwinControl 75-150 ABS - TwinControl 72-300/150 ABS - TwinControl 72-300 ABS
----------------	-------------------------------------------------------------------------------------------------------------------------------

Spare parts list				
Pos	K	Qty	Part No.	Description
1		1	2301641	Trolley TwinControl Jaguar, Tiger
2		1	2301644	Under frame TwinControl Jaguar, Tiger
3		4	9920107	Washer
4		4	9921514	Spring ring
5		4	9900122	Hexagonal screw without shank
6		1	2301090	Swivel roller TwinControl
7		2	2303784	Retaining ring with cap
8		2	9994922	Wheel assy.

◆ = Wearing part

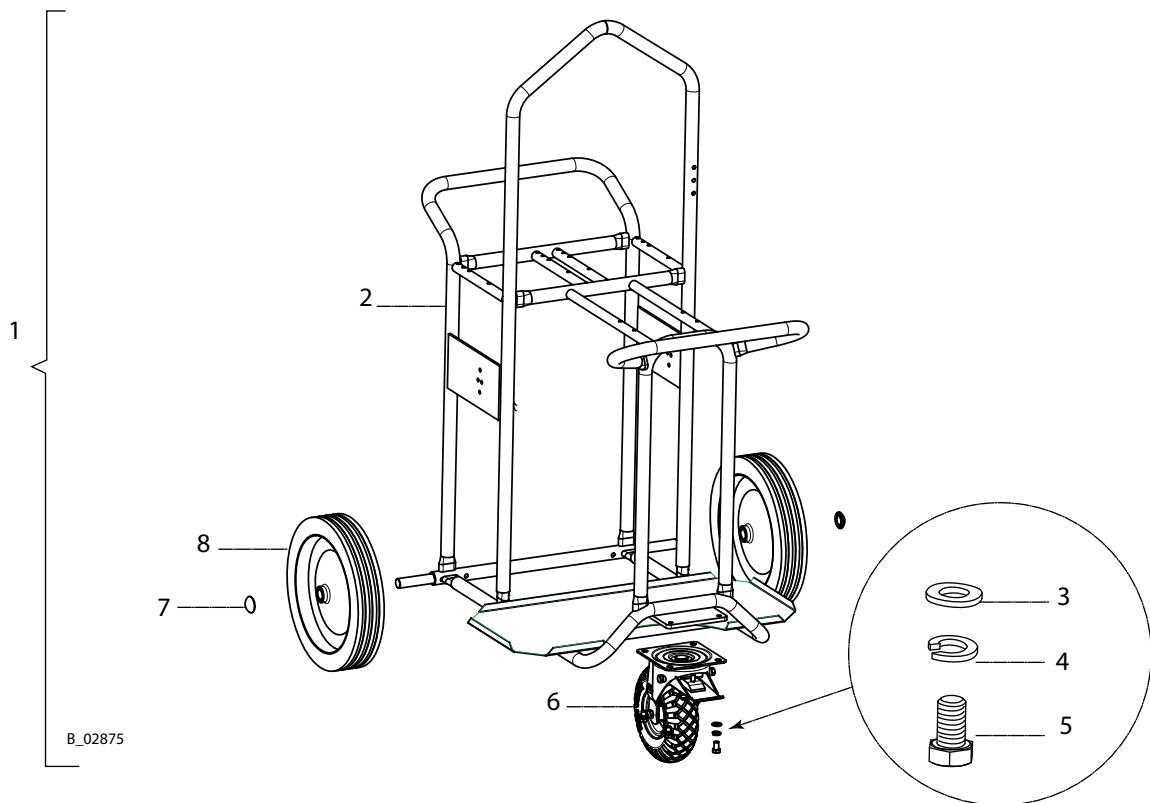


**12.14 TROLLEY LEOPARD 2301072**

<b>Trolley</b>	Use of the following basic equipments - TwinControl 35-150/70 ABS - TwinControl 48-110 ABS
----------------	--------------------------------------------------------------------------------------------------

<b>Spare parts list</b>				
<b>Pos</b>	<b>K</b>	<b>Qty</b>	<b>Part No.</b>	<b>Description</b>
1		1	2301072	Trolley TwinControl Leopard
2		1	2301077	Under frame TwinControl Leopard
3		4	9920107	Washer
4		4	9921514	Spring ring
5		4	9900122	Hexagonal screw without shank
6		1	2301090	Swivel roller TwinControl
7		2	2303784	Retaining ring with cap
8		2	9994922	Wheel assy.

◆ = Wearing parts

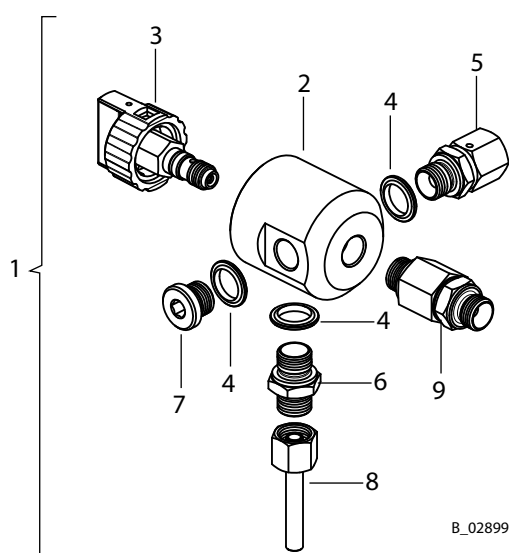


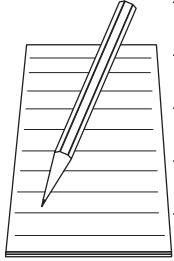
## 12.15 RELIEF VALVE

<b>Relief valve at the material exit</b>	Use of the following basic equipments - TwinControl 18-40 ABS - TwinControl 28-40 ABS - TwinControl 35-70 ABS - TwinControl 35-150/70 ABS
------------------------------------------	-------------------------------------------------------------------------------------------------------------------------------------------------------

Spare parts list				
Pos	K	Qty	Part No.	Description
1		1	393042	Relief valve assy.
2		1	115199	Release housing
3		1	169248	Relief valve assy.
4		3	9971525	Seal U-Seal
5		1	117206	Swivel part, assy.
6		1	123510	Double connection 40-KS
7		1	9904312	Lock screw
8		1	115858	Return tube FE
9		1	384115	Return check valve assy.

◆ = Wearing parts

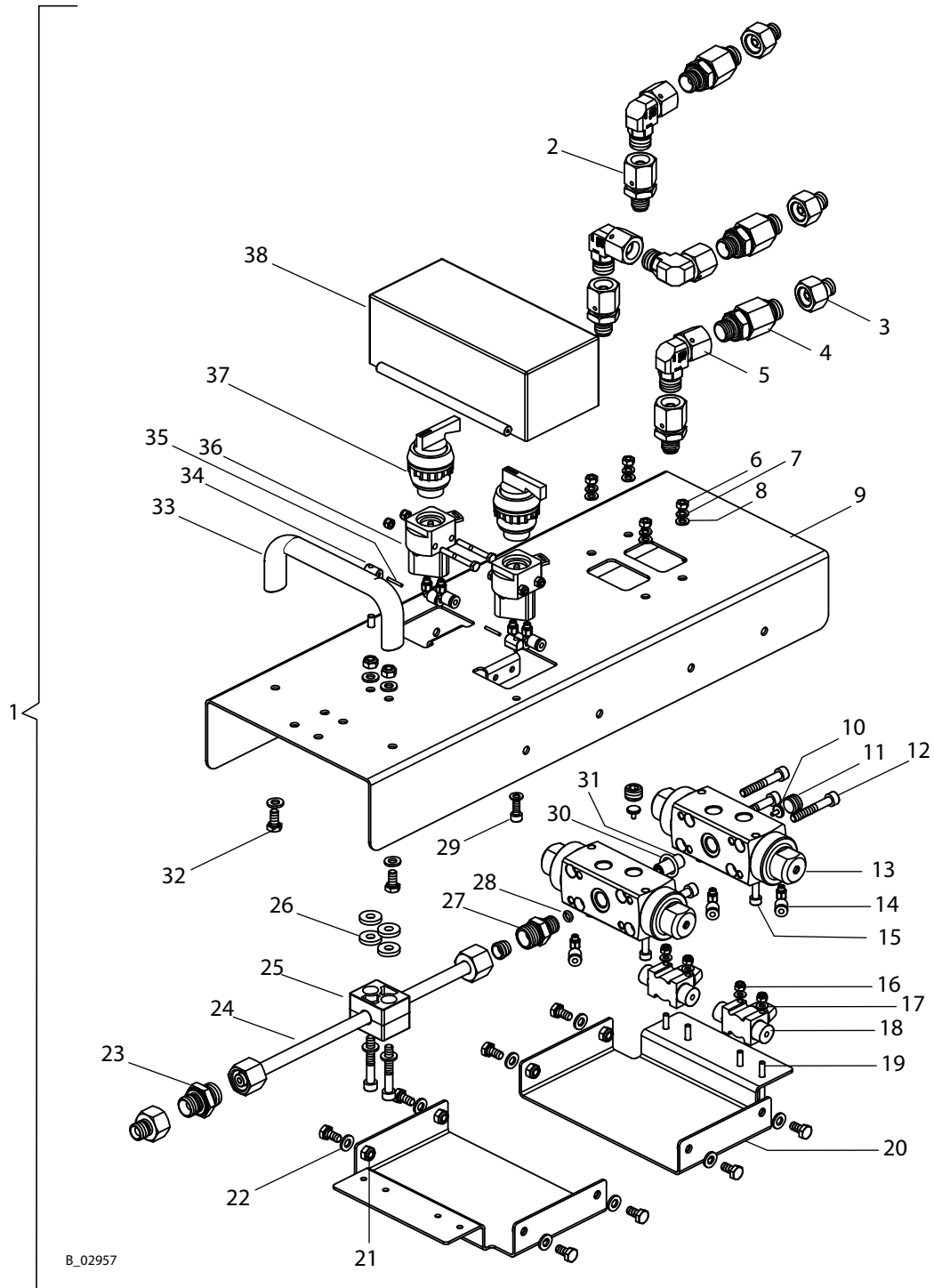




A series of horizontal lines for writing, starting from the right side of the notepad illustration and extending across the page.

# 13 SPARE PARTS FROM TWINCONTROL - ACCESSORIES

## 13.1 MIXER EXTERNAL PNEUMATIC NW2.6/ NW6 KS

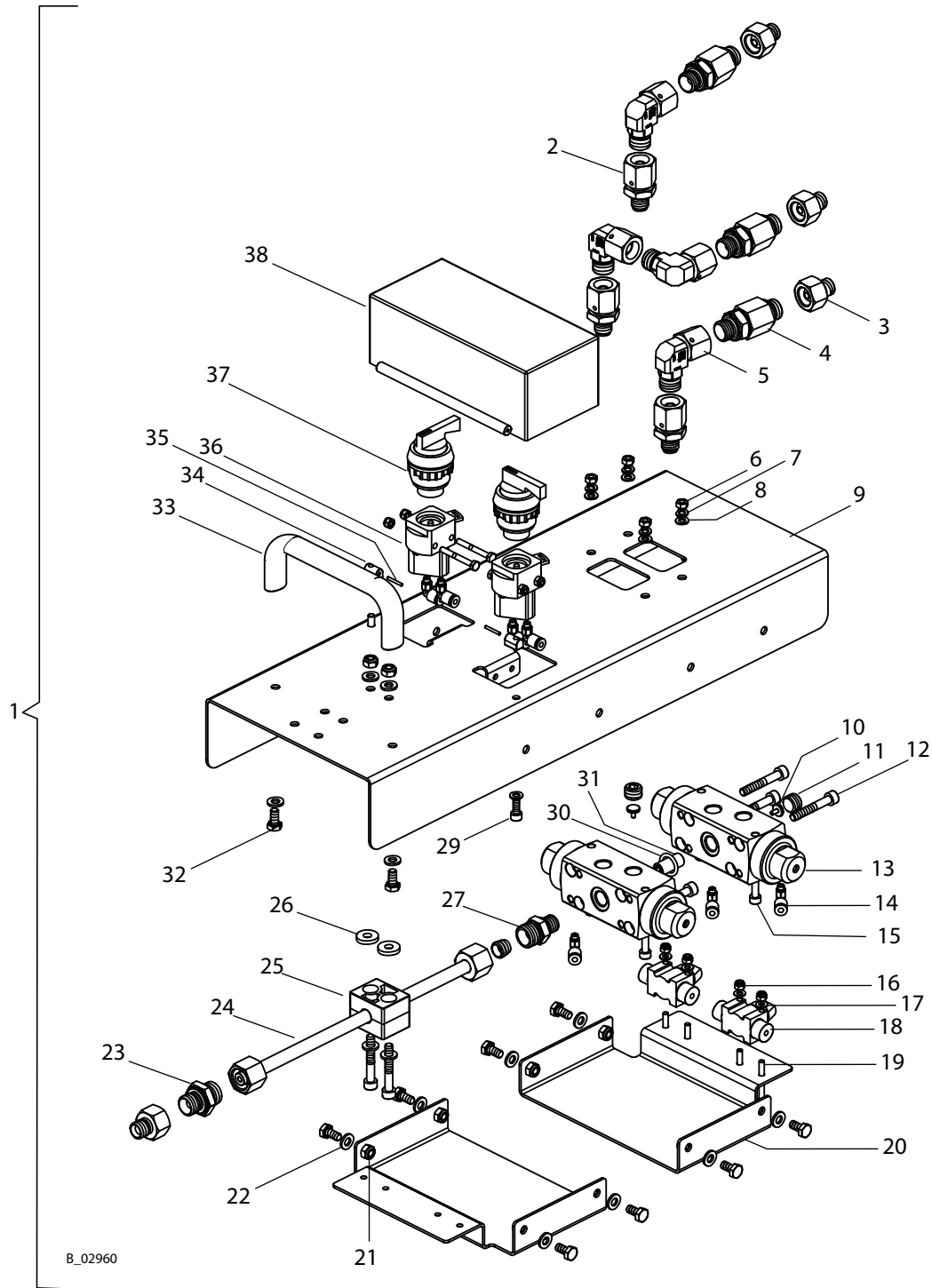


B\_02957

Spare parts list				
Pos	K	Qty	Part No.	Description
1		1	2306526	Mixer external pneumatic NW2.6 / NW6 KS
2		3	384116	Swivel part SF-FM-M16x1.5-G1/4" PN530-SSt
3		4	384555	Adapter RF-FM-M16x1.5-1/4" NPS PN530-SSt
4		3	384115	Return check valve assy.
5		4	384117	Pipe elbow 90 degrees
6		4	9910106	Hexagon nut
7		4	9921517	Spring ring
8		6	9920101	Washer
9		1	2306527	Holder sheet metal
10		2	384323	Stopper
11		2	104376	Lock screw
12		6	9900336	Cheese head screw with hexagon
13		2	384294	Colour valve Circulation HM 2.6 mm/5 bar/400 bar
14		7	9992724	Angle screwing in connection
15		4	9900335	Cheese head screw with hexagon
16		8	9910202	Self-locking hexagon nut
17		8	9920104	Washer
18		2	2306536	Mini-ball valve
19		8	9900231	Hexagon screw
20		2	2306530	Protection plate
21		10	9910204	Hexagon nut with clamp
22		14	9920103	Washer
23		1	104618	Adapter DF-MM-M16x1.5-M18x1.5 PN530-SSt
24		1	384283	Mixing tube assy. 6-32E
25		1	9998420	Pipe clamp Pair
26		4	9920806	Washer
27		1	9998788	Threaded connection straight GEV-10L-R
28		1	9970153	Material pressure gauge Sealing ring G1/4"
29		2	9900344	Cheese head screw with hexagon
30		1	9974164	O-ring
31		1	384329	Fill part
32		10	9900106	Hexagon screw without shaft
33		1	9999068	Holder handle
34		2	2306528	Hinge
35		2	9935009	Straight pin
36		2	9943062	Basic valve 3/2
37		2	9943072	Control knob 9302
38		1	2306529	Cap
39		1.5	9982072	Air hose 2.5/4 mm-PU black

◆ = Wearing part

**13.2 MIXER EXTERNAL PNEUMATIC NW2.6/ NW10 GXP**



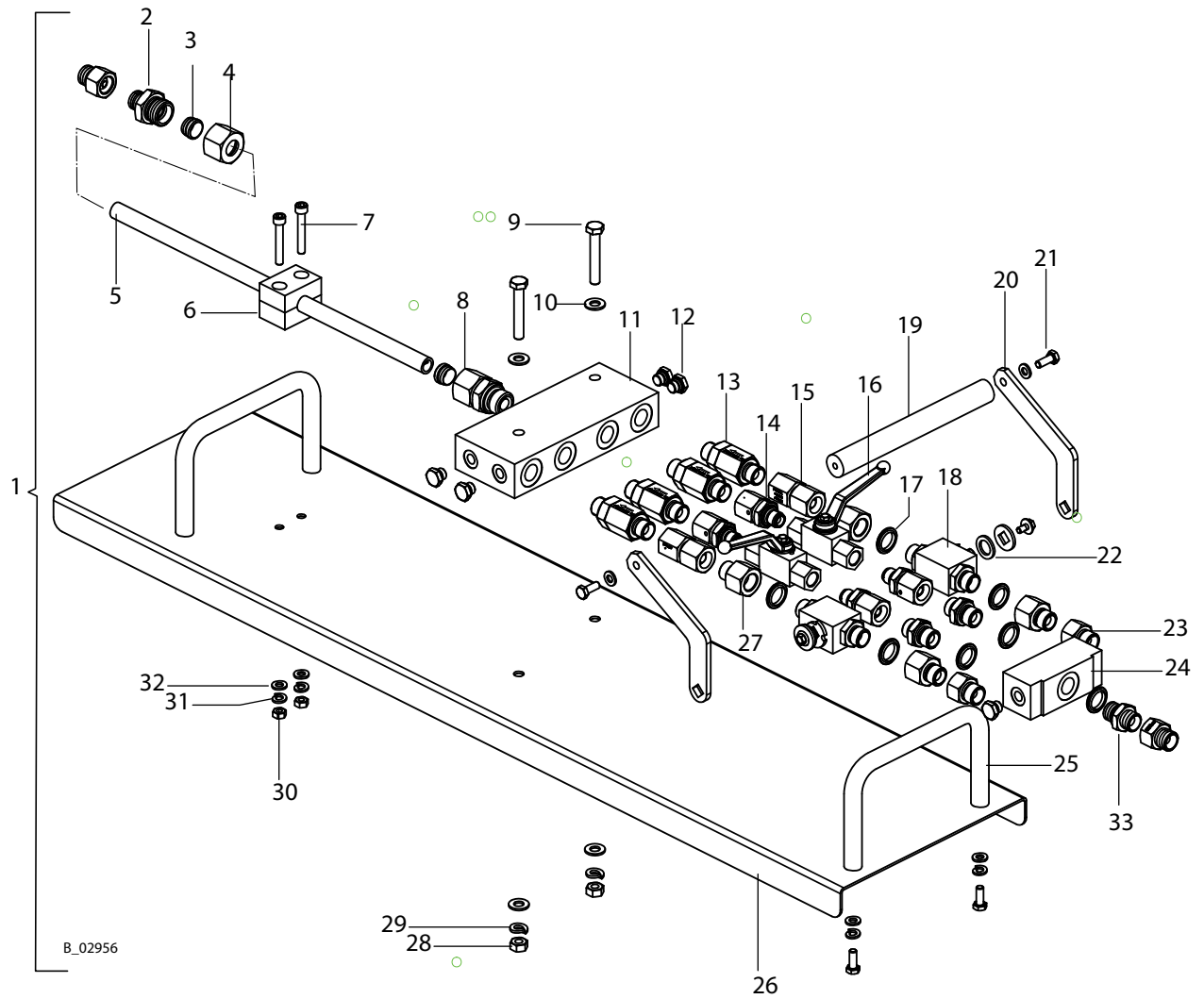
B\_02960



Spare parts list				
Pos	K	Qty	Part No.	Description
1		1	2307749	Mixer external pneumatic NW2.6/ NW10 GXP
2		3	384116	Swivel part SF-FM-M16x1.5-G1/4" PN530-SSt
3		4	384555	Adapter RF-FM-M16x1.5-1/4" NPS PN530-SSt
4		3	384115	Return check valve assy.
5		4	384117	Pipe elbow 90 degrees
6		4	9910106	Hexagon nut
7		4	9921517	Spring ring
8		6	9920101	Washer
9		1	2306527	Holder sheet metal
10		2	384323	Stopper
11		2	104376	Lock screw
12		6	9900336	Cheese head screw with hexagon
13		2	384294	Colour valve Circulation HM 2.6 mm/5 bar/400 bar
14		7	9992724	Angle screwing in connection
15		4	9900335	Cheese head screw with hexagon
16		8	9910202	Self-locking hexagon nut
17		8	9920104	Washer
18		2	2306536	Mini ball valve
19		8	9900231	Hexagon screw
20		2	2306530	Protection plate
21		10	9910204	Hexagon nut with clamp
22		14	9920103	Washer
23		1	384448	Double connection M16x1.5-M22x1.5
24		1	2306855	Mixing pipe assy. 10-32E ST/GXP
25		1	9998683	Pipe clamp Pair
26		2	9920806	Washer
27		1	2306868	Double connection G1/4" M22x1.5
29		2	9900344	Cheese head screw with hexagon
30		1	9974164	O-ring
31		1	384329	Fill part
32		10	9900106	Hexagon screw without shaft
33		1	9999068	Holder handle
34		2	2306528	Hinge
35		2	9935009	Straight pin
36		2	9943062	Basic valve 3/2
37		2	9943072	Control knob 9302
38		1	2306529	Cap
39		1.5	9982072	Air hose 2.5/4 mm-PU black

◆ = Wearing part

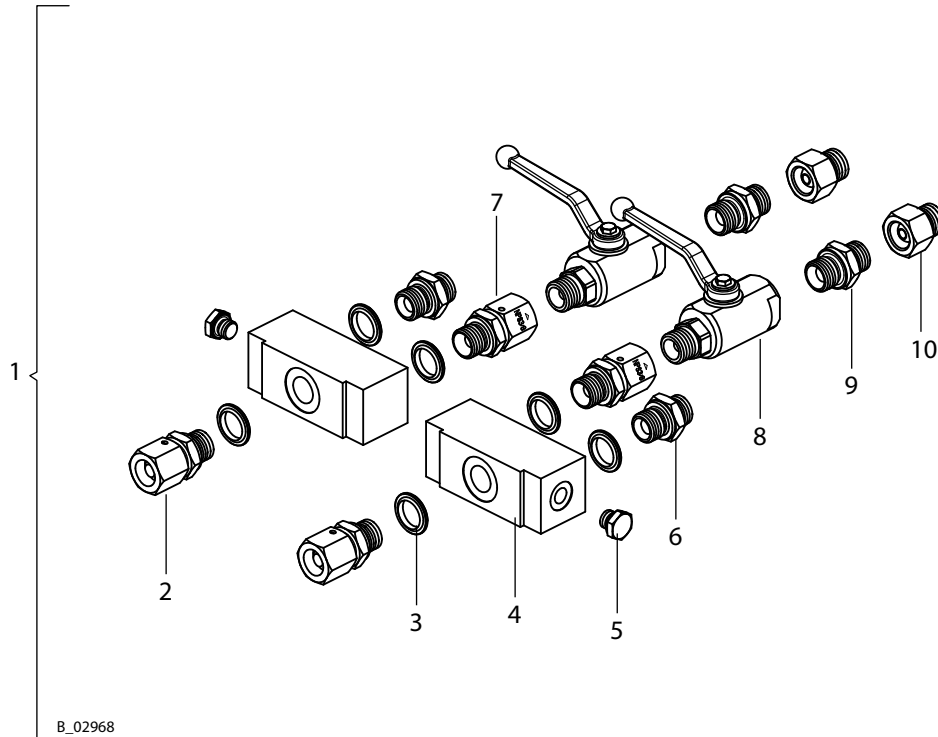
**13.3 MIXER EXTERNAL MANUAL NW8/ NW10 VA**



Spare parts list				
Pos	K	Qty	Part No.	Description
1		1	2307030	Mixer external manual NW8 / NW10 VA
2		1	384448	Double connection
3		1	9998135	Cutting ring
4		1	9913005	Union nut
5		1	389074	Mixing tube
6		1	9998683	Pipe clamp Pair
7		2	9907050	Cheese head screw with hexagon
8		1	9999085	Threaded connection straight
9		2	9900125	Hexagon screw without shaft
10		4	9920102	Washer
11		1	2304204	Mixing body
12		5	2304311	Lock plug 1/8"
13		4	2305574	Return check valve assy. 530 bar
14		4	384116	Swivel part SF-FM-M16x1.5-G1/4" PN530-SSt
15		2	17262	Double nipple SF-FF-M16x1.5-M16x1.5 PN530-SSt
16		2	9991544	Ball valve G1/4"
17		7	9971525	U-Seal
18		2	9991529	Ball valve DN8-PN530-M16F24°-SSt
19		1	2304205	Knurled rod
20		2	2304210	Knurled handle
21		6	9900111	Hexagon screw without shaft
22		2	9920204	Washer
23		4	384556	Adapter RF-FM-M16x1.5-3/8" NPS PN530-SSt
24		1	2304297	Solvent distributor
25		2	2305113	Handle
26		1	2304228	Holder sheet metal
27		4	356465	Adapter RF-FM-M16x1.5-M16x1.5 PN270-SSt
28		2	9910107	Hexagon nut
29		2	9921501	Spring ring
30		2	9910102	Hexagon nut
31		6	9921502	Spring ring
32		8	9920103	Washer
33		3	104475	Double connection

◆ = Wearing part

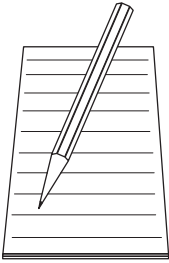
## 13.4 CIRCULATION MIXER NW8 EXTERNAL



Spare parts list				
Pos	K	Qty	Part No.	Description
1		1	2307031	Circulation Mixer NW8 external
2		2	117206	Swivel part SF-FM-M16x1.5-M16x1.5 PN530-SSt
3		6	9971525	U-Seal
4		2	2304297	Solvent distributor
5		2	2304311	Lock stopper 1/8"
6		2	104475	Double connection DF-MM-M16x1.5-M16x1.5 PN530-SSt
7		2	367567	Adapter SF-FM-3/8" NPS-M16x1.5 PN530-SSt
8		2	9999159	Ball valve DN6-PN530-G3/8" SSt
9		2	367923	Double connection DF-MM-G3/8" M16x1.5 PN530-SSt
10		2	384556	Adapter RF-FM-M16x1.5-3/8" NPS PN530-SSt

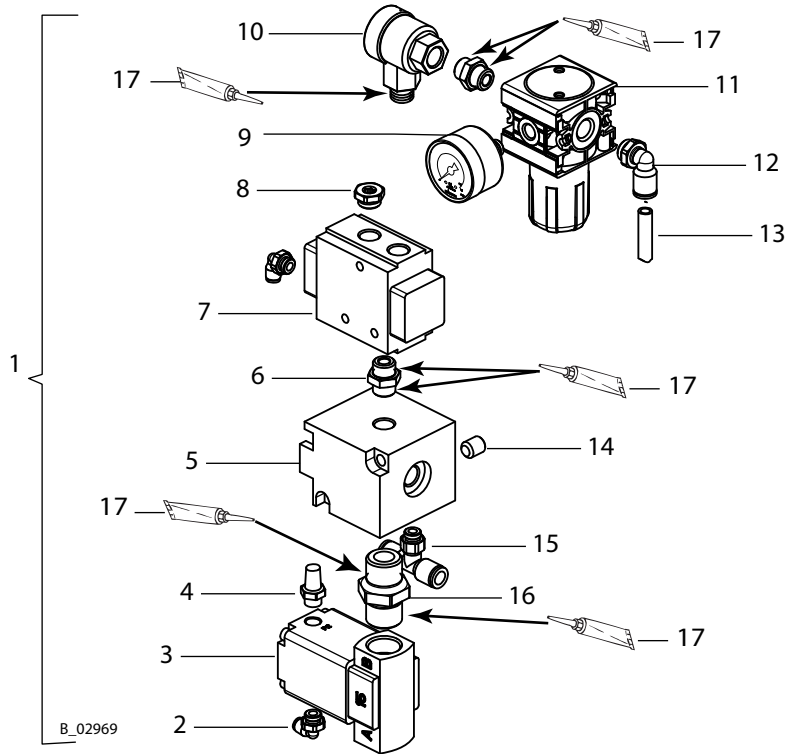
◆ = Wearing part

**SPARE PARTS CATALOGUE**



A series of horizontal lines extending across the page, providing space for handwritten notes or additional information.

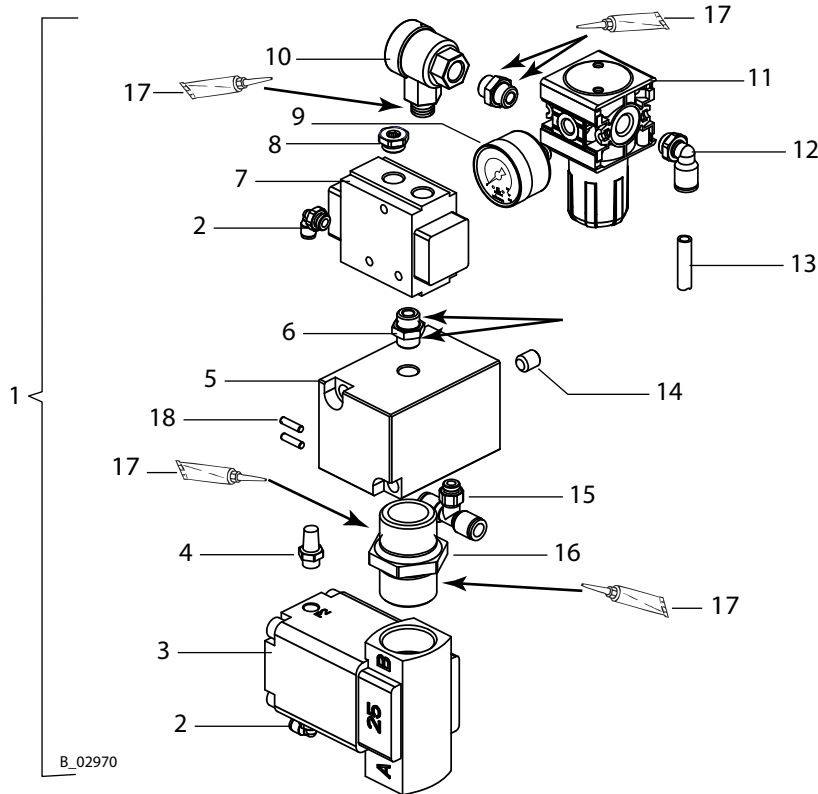
## 13.5 SOFT CIRCULATION LEOPARD



Spare parts list				
Pos	K	Qty	Part No.	Description
1		1	2307131	Soft circulation Leopard
2		2	9999066	Angle screwing in connection
3		1	9999586	2/2 way valve are operated pneumatically
4		1	9991761	Sound absorber
5		1	2307083	Distributor 6 special
6		2	9985720	Double nipple
7		1	2312286	Valve pneumatic
8		1	9998274	Threaded plug G1/4"
9		1	9998677	Pressure gauge 0-10 bar (d40)
10		1	3102576	Quick exhaust valve
11		1	9998676	Pressure regulator SR-1/4 assy.
12		1	9998253	Screw in angle
13		1	9982062	Hose blue AD 8x1.25 - 2 m; 6.56 ft
14		1	9935040	Thread pin with hexagon/ flat point
15		1	9992758	Screwing T
16		1	9985598	Double nipple GF-280
17		1	9992528	Loctite 270

◆ = Wearing part

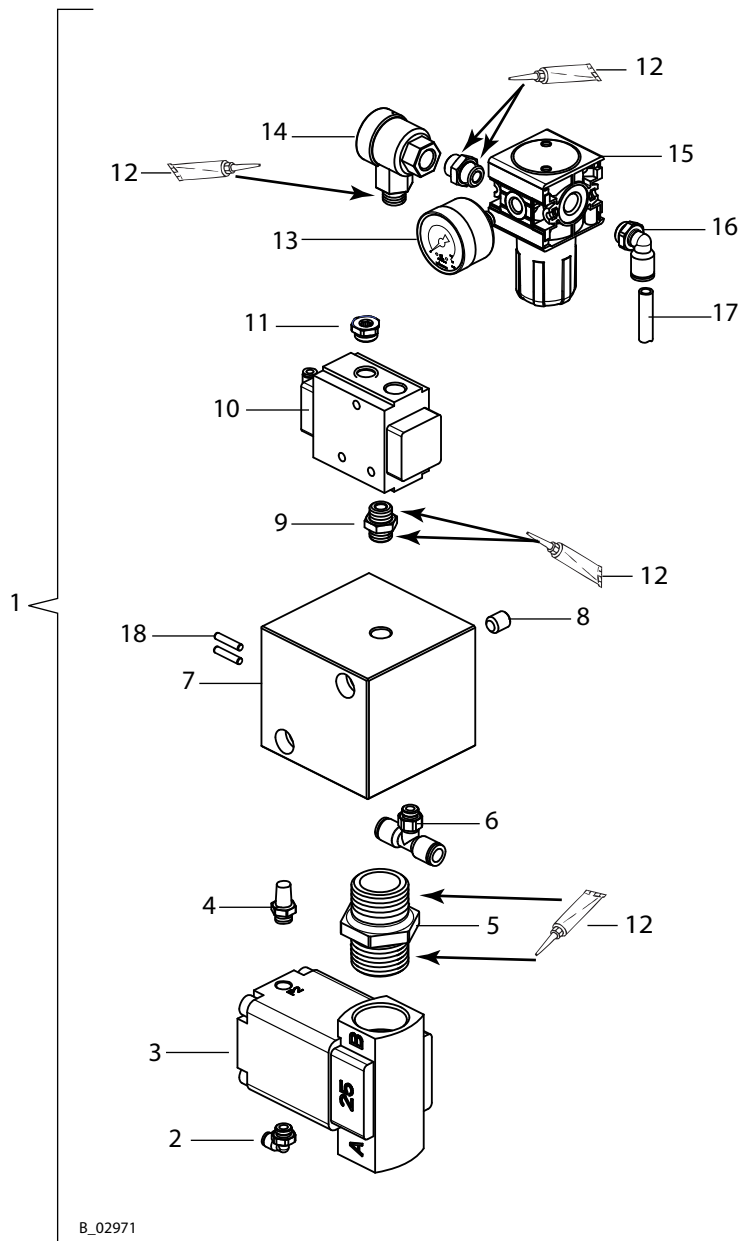
### 13.6 SOFT CIRCULATION JAGUAR



Spare parts list				
Pos	K	Qty	Part No.	Description
1		1	2307028	Soft circulation Jaguar
2		2	9999066	Angle screwing in connection
3		1	9999587	2/2 way valve are operated pneumatically
4		1	9991761	Sound absorber
5		1	393317	Distributor 9 special
6		2	9985720	Double nipple
7		1	2312286	Valve pneumatic
8		1	9998274	Threaded plug G1/4"
9		1	9998677	Pressure gauge 0-10 bar (d40)
10		1	3102576	Quick exhaust valve
11		1	9998676	Pressure regulator SR-1/4 assy.
12		1	9998253	Screw in angle
13		1	9982062	Hose blue AD 8x1.25 - 2 m; 6.56 ft
14		1	9935040	Thread pin with hexagon/ flat point
15		1	9992758	Screwing T
16		1	9998147	Double nipple GF-280
17		1	9992528	Loctite 270
18		2	9930834	Straight pin

◆ = Wearing part

**13.7 SOFT CIRCULATION TIGER**

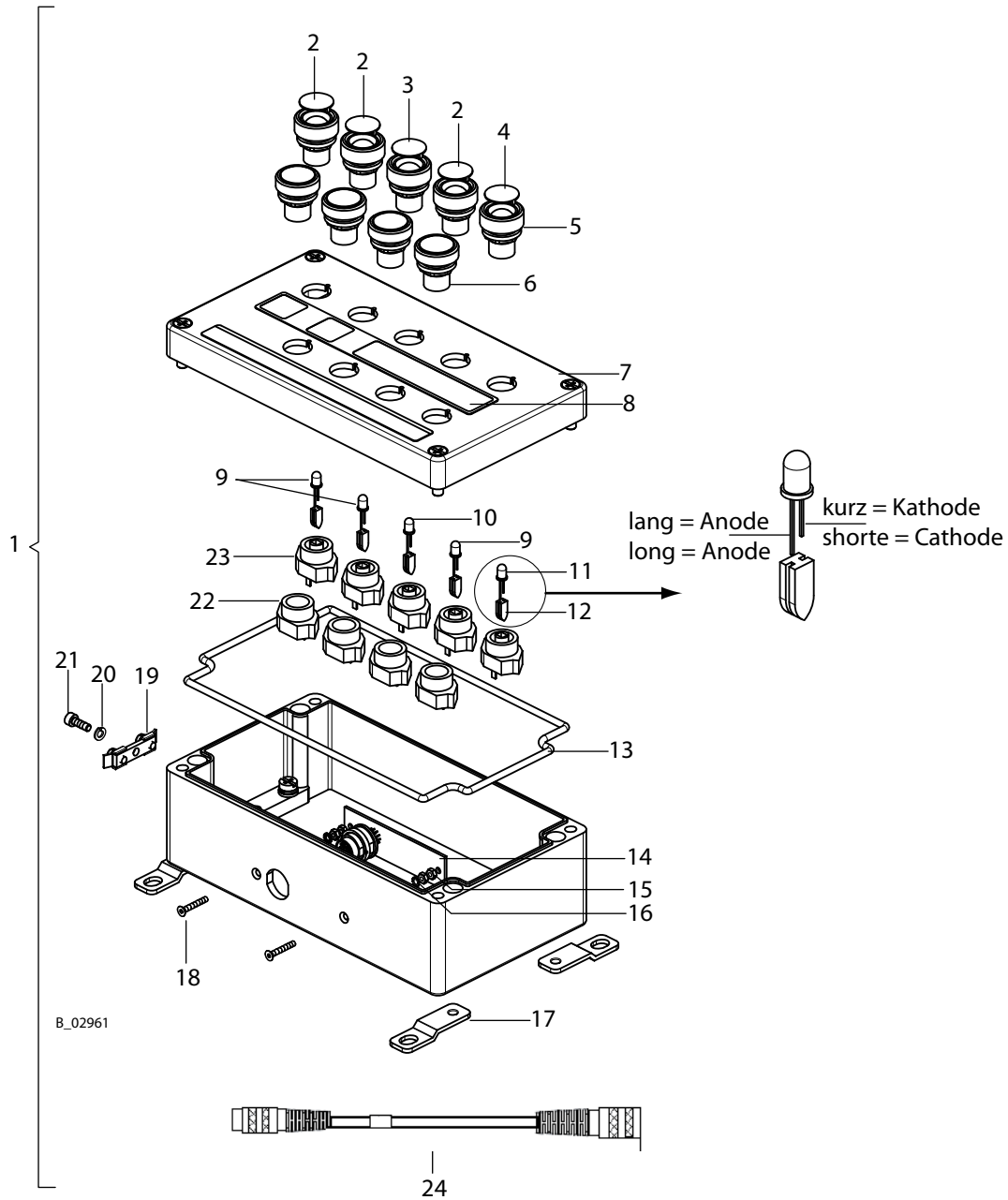




Spare parts list				
Pos	K	Qty	Part No.	Description
1		1	2307080	Soft circulation Tiger
2		2	9999066	Angle screwing in connection
3		1	9999587	2/2 way valve are operated pneumatically
4		1	9991761	Sound absorber
5		1	9998147	Double nipple GF 280
6		1	9992758	Screwing T
7		1	393318	Distributor 12 special
8		1	9935040	Thread pin with hexagon/ flat point
9		2	9985720	Double nipple
10		1	2312286	Valve pneumatic
11		1	9998274	Threaded plug G1/4"
12		1	9992528	Loctite 270
13		1	9998677	Pressure gauge 0-10 bar (d40)
14		1	3102576	Quick exhaust valve
15		1	9998676	Pressure regulator SR-1/4 assy.
16		1	9998253	Screw in angle
17		1	9982062	Hose blue AD 8x1.25, 0.2 m; 0.66 ft
18		2	9930126	Straight pin

◆ = Wearing part

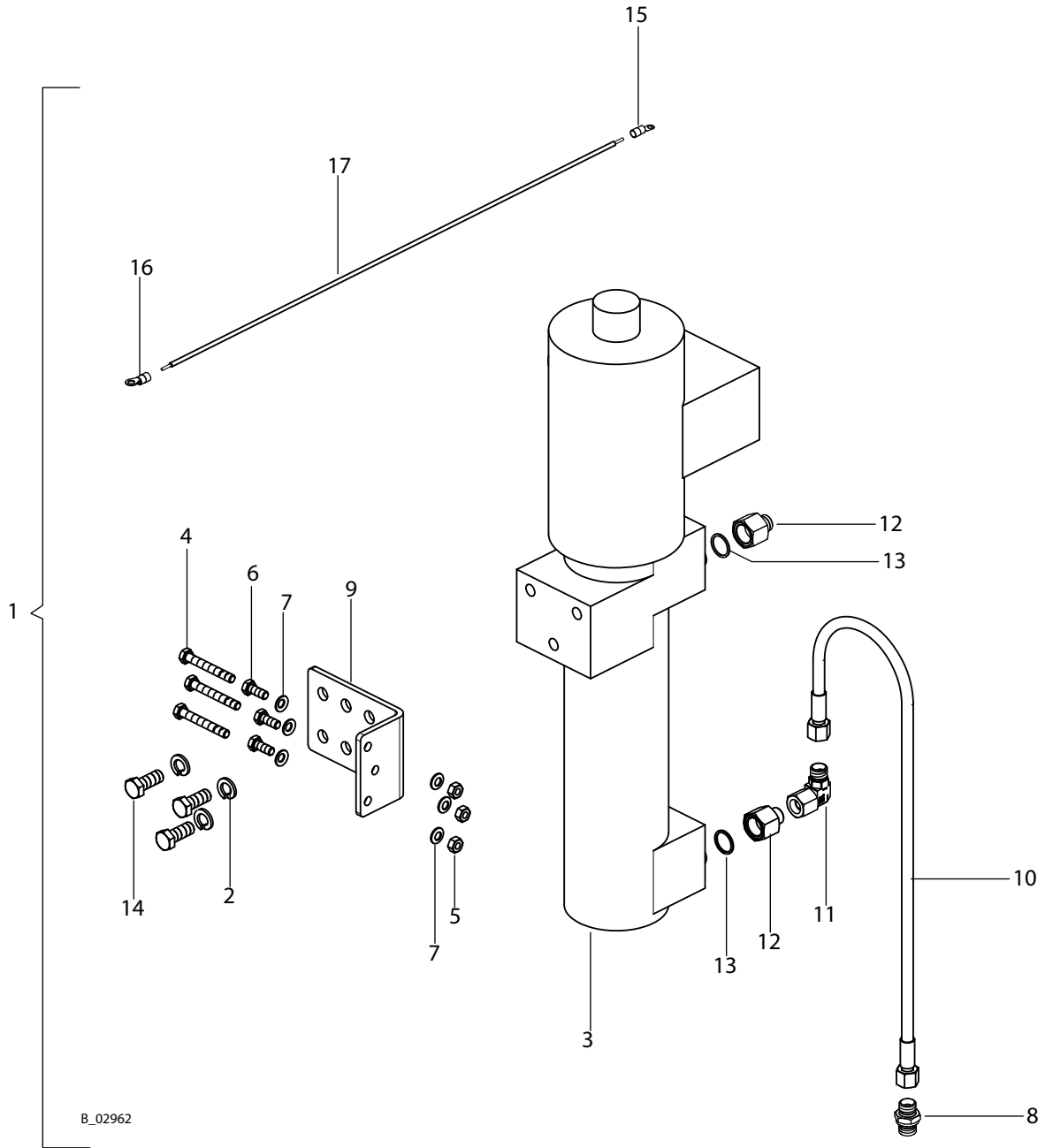
**13.8 REMOTE CONTROL TWINCONTROL**



Spare part lists				
Pos	K	Qty	Part No.	Description
1		1	2308874	Remote control assy.TwinControl
2		3	2308399	Push button cap flat transparency red
3		1	2308398	Push button cap flat transparency green
4		1	2308400	Push button cap flat transparency blue
5		5	2308307	Lamps resolution
6		4	2308308	Membrane push button
7		1	2308394	Housing
8		1	2308343	Remote control plate
9		3	2308630	LED 5 mm red
10		1	2308629	LED 5 mm green
11		1	2308648	LED 5 mm blue
12		5	2308311	LED-Adapter
13		1	9999544	Seal silicone-freely (for 9999533)
14		1	2308857	Print Remote control Box
15		4	9910103	Hexagon nut
16		2	9922102	Serrated washer
17		1	2308342	Outer attachment set-Set
18		2	9907095	Countersunk head screws with female hexagon
19		1	111214	Terminal for potential cable
20		1	9921504	Spring ring
21		1	9900353	Cheese head screw with hexagon
22		4	2308309	Palpation signal initiator
23		5	2308310	Lamp socket
24		1	2308827	Cable remote control 15 m; 49.21 ft

◆ = Wearing part

**13.9 HEATER SET A OR B TWINCONTROL TO 35-150**

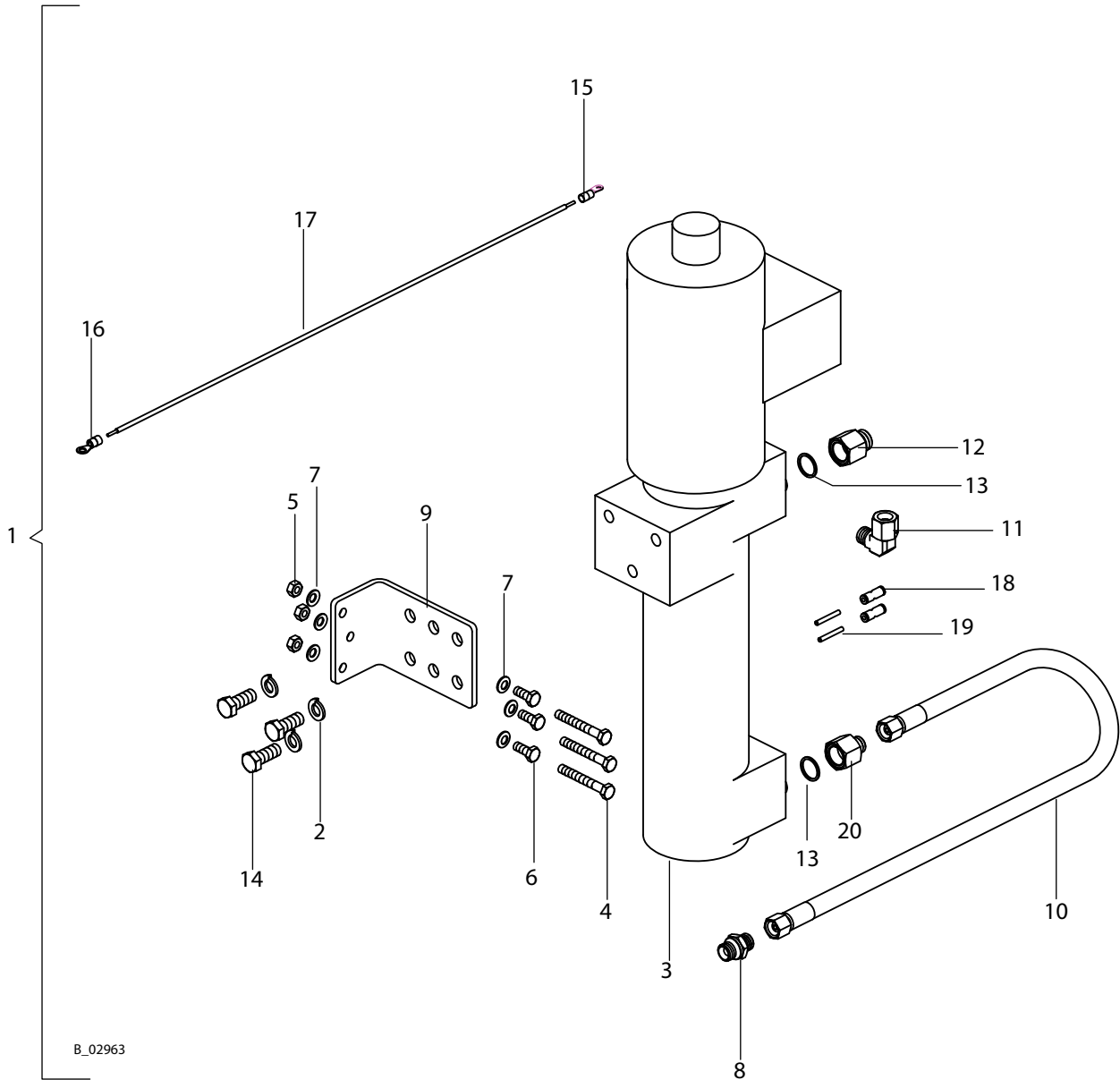


B\_02962

<b>Spare parts list</b>				
<b>Pos</b>	<b>K</b>	<b>Qty</b>	<b>Part No.</b>	<b>Description</b>
1		1	2303255	Heater set A, B TC to 35-150
2		3	9921514	Spring ring
3		1	65021	Heater
4		3	9900131	Hexagon screw without shaft
5		3	9910107	Hexagon nut
6		3	9900110	Hexagon screw without shaft
7		6	3155404	Contact washer M08
8		1	367913	Double connection
9		1	393369	Angle
10		1	9987115	High pressure hose DN6-PN270-M16x1.5 0.65 m; 2.13 ft PTFE
11		1	384117	Pipe elbow 90 degrees
12		2	65485	Connector
13		2	9970110	Sealing ring
14		3	9900150	Hexagon screw without shaft
15		1	9950608	Cable lug round, with isolation
16		1	9950604	Cable lug
17		1	9951211	Earthing lug 0.6 m; 1.97 ft

◆ = Wearing part

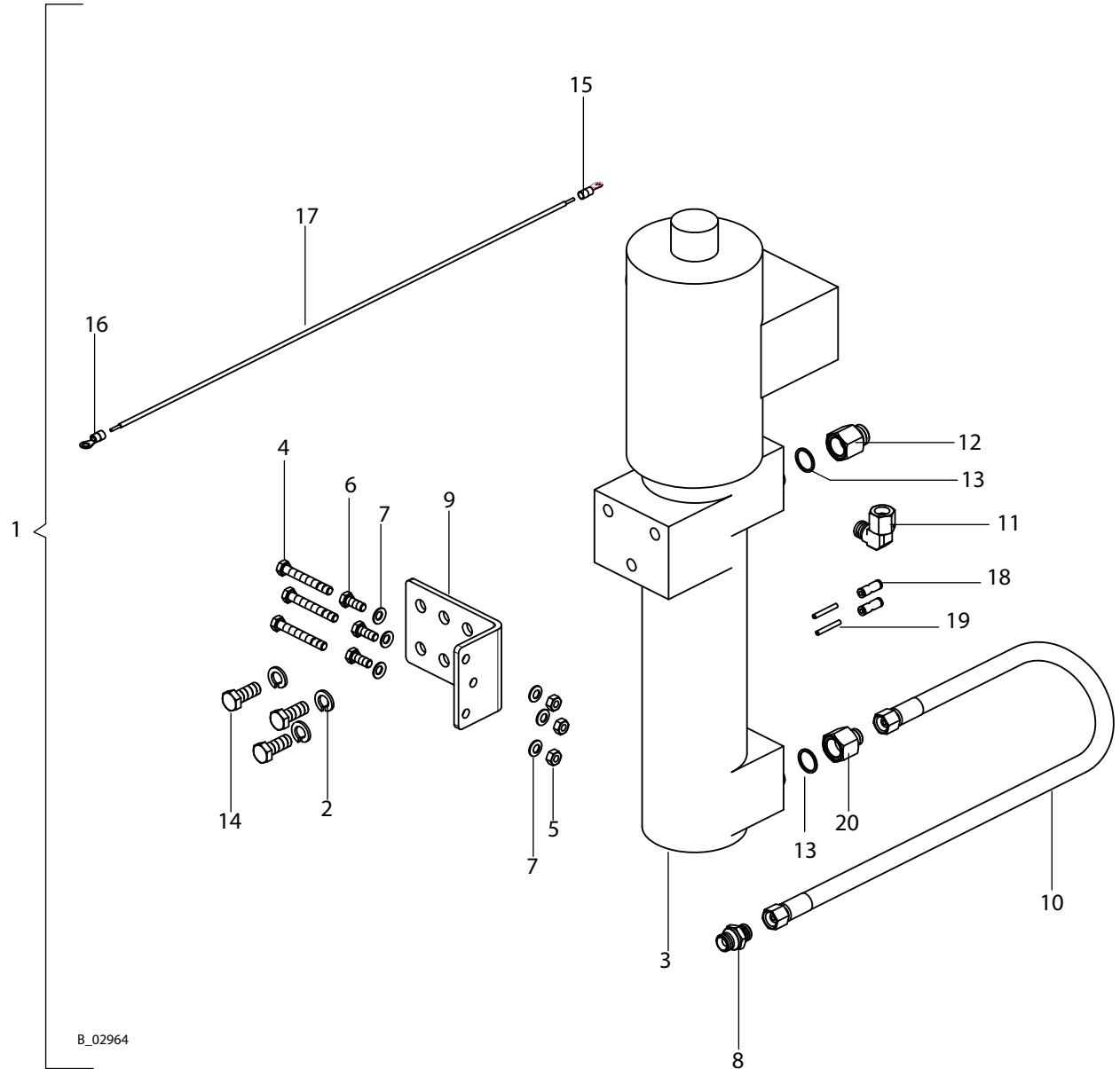
**13.10 HEATER SET A TWINCONTROL 48-110 TO 75-150**



<b>Spare parts list</b>				
<b>Pos</b>	<b>K</b>	<b>Qty</b>	<b>Part No.</b>	<b>Description</b>
1		1	2302813	Heater set A TC 48-110 to 75-150
2		3	9921514	Spring ring
3		1	65021	Heater
4		3	9900131	Hexagon screw without shaft
5		3	9910107	Hexagon nut
6		3	9900110	Hexagon screw without shaft
7		6	3155404	Contact washer M08
8		1	367913	Double connection
9		1	393369	Angle
10		1	9987125	High pressure hose DN8
11		1	384117	Pipe elbow 90 degrees
12		1	2302468	Screwed connector
13		2	9970110	Sealing ring
14		3	9900150	Hexagon screw without shaft
15		1	9950608	Cable lug round, with isolation
16		1	9950604	Cable lug
17		1	9951211	Earthing lug 0.6 m; 1.97 ft
18		2	9999231	Extension connection
19		1	9982072	Air hose 0.5 m; 1.64 ft
20		1	65485	Connector

◆ = Wearing part

**13.11 HEATER SET B TWINCONTROL 48-110 TO 75-150**





<b>Spare parts list</b>				
<b>Pos</b>	<b>K</b>	<b>Qty</b>	<b>Part No.</b>	<b>Description</b>
1		1	2302461	Heater set BTC 48-110 to 75-150
2		3	9921514	Spring ring
3		1	65021	Heater
4		3	9900131	Hexagon screw without shaft
5		3	9910107	Hexagon nut
6		3	9900110	Hexagon screw without shaft
7		6	3155404	Contact washer M08
8		1	367913	Double connection
9		1	393369	Angle
10		1	9987115	High pressure hose DN6-PN270-M16x1.5 PTFE 0.65 m; 2.13 ft
11		1	384117	Pipe elbow 90 degrees
12		1	2302468	Screwed connector
13		2	9970110	Sealing ring
14		3	9900150	Hexagon screw without shaft
15		1	9950608	Cable lug round, with isolation
16		1	9950604	Cable lug
17		1	9951211	Earthing lug 0.6 m; 1.97 ft
18		2	9999231	Extension connection
19		1	9982072	Air hose 0.6 m; 1.97 ft
20		1	65485	Connector

◆ = Wearing part

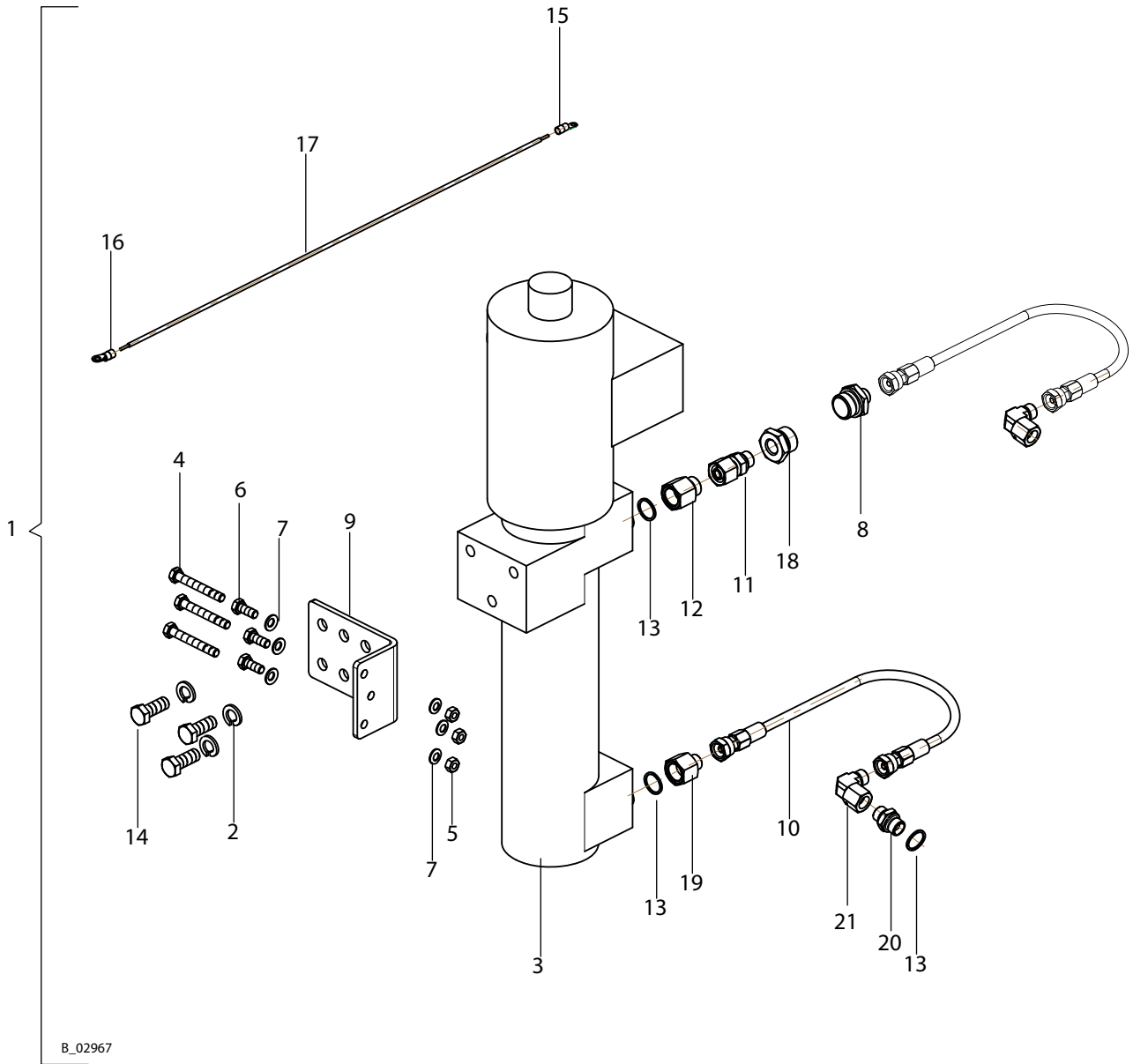
**13.12 HEATER SET A TWINCONTROL 72-300**



<b>Spare parts list</b>				
<b>Pos</b>	<b>K</b>	<b>Qty</b>	<b>Part No.</b>	<b>Description</b>
1		1	2303256	Heater set A TC 72-300
2		3	9921514	Spring ring
3		1	65021	Heater
4		3	9900131	Hexagon screw without shaft
5		3	9910107	Hexagon nut
6		3	9900110	Hexagon screw without shaft
7		6	3155404	Contact washer M08
8		2	370915	Double connection DF-MM-G3/4"-G1/2" PN530-SSt
9		1	393369	Angle
10		1	2306683	High pressure hose DN13
11		1	9998680	Connector SF-FM-M20x1.5-G3/8" PN530-SSt
12		1	2302468	Screwed connector
13		2	9970110	Sealing ring
14		3	9900150	Hexagon screw without shaft
15		1	9950608	Cable lug round, with isolation
16		1	9950604	Cable lug
17		1	9951211	Earthing lug 2 m; 6.56 ft
18		1	2306589	Reduction connection
19		1	2306539	Screwed connector G1/2"

◆ = Wearing part

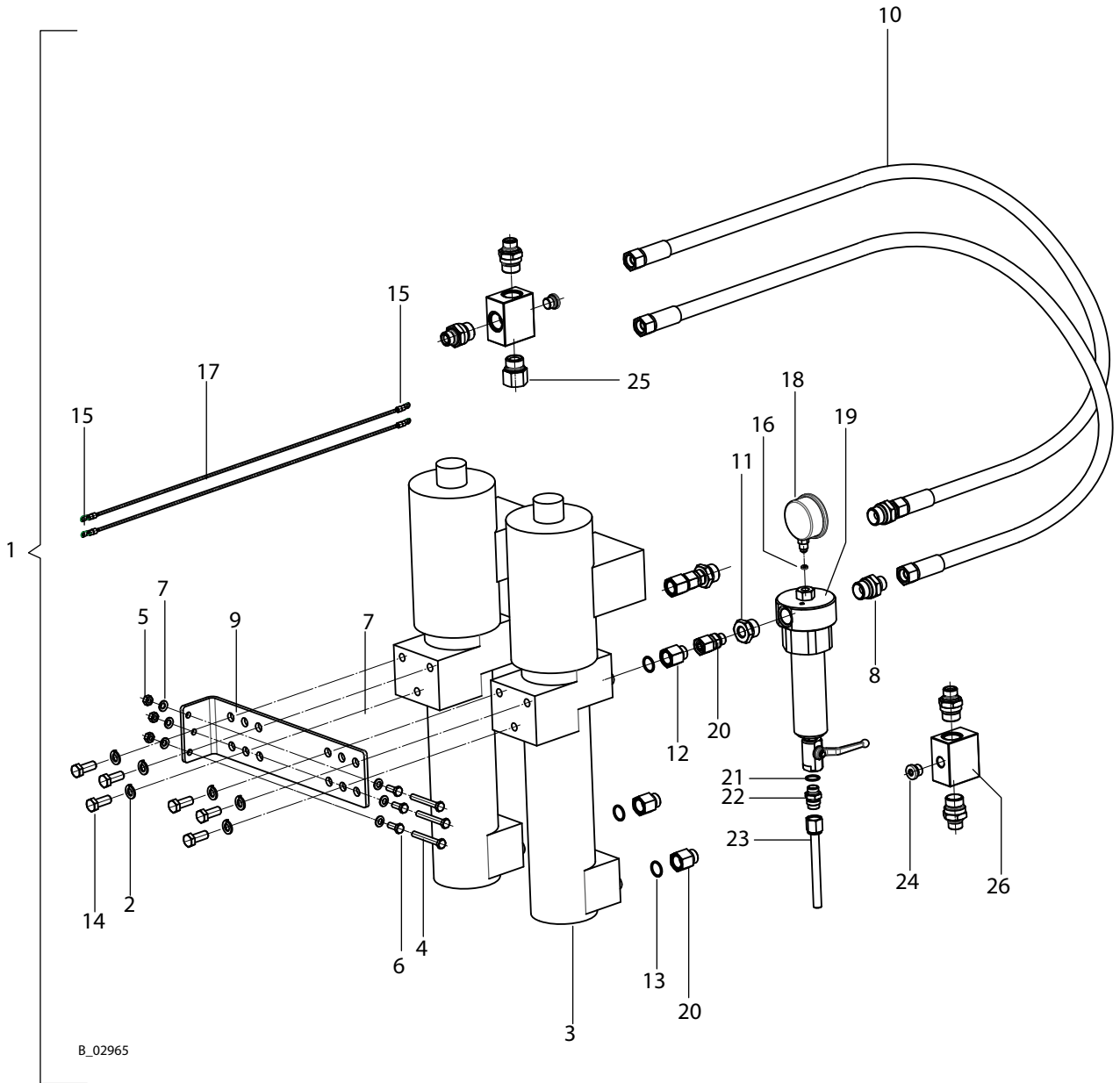
**13.13 HEATER SET B TWINCONTROL 72-300**



Spare parts list				
Pos	K	Qty	Part No.	Description
1		1	2303257	Heater set B TC 72-300
2		3	9921514	Spring ring
3		1	65021	Heater
4		3	9900131	Hexagon screw without shaft
5		3	9910107	Hexagon nut
6		3	9900110	Hexagon screw without shaft
7		6	3155404	Contact washer M08
8		2	369913	Reducing double nipple with 2x 60°
9		1	393369	Angle
10		2	9987125	High pressure hose D08
11		1	9998680	Connector SF-FM-M20x1.5-G3/8" PN530-SSt
12		1	2302468	Screwed connector
13		3	9970110	Sealing ring
14		3	9900150	Hexagon screw without shaft
15		1	9950608	Cable lug round, with isolation
16		1	9950604	Cable lug
17		1	9951211	Earthing lug 2 m; 6.56 ft
18		1	2306589	Reduction connection
19		1	65485	Connector
20		1	367913	Double connection
21		2	384117	Pipe elbow 90 degrees

◆ = Wearing part

**13.14 HEATER SET A TWINCONTROL 72-300 DOUBLE**



<b>Spare parts list</b>				
<b>Pos</b>	<b>K</b>	<b>Qty</b>	<b>Part No.</b>	<b>Description</b>
1		1	2303278	Heater set A TC 72-300 double
2		6	9921514	Spring ring
3		2	65021	Heater
4		3	9900131	Hexagon screw without shaft
5		3	9910107	Hexagon nut
6		3	9900110	Hexagon screw without shaft
7		6	3155404	Contact washer M08
8		6	370915	Double connection DF-MM-G3/4"-G1/2" PN530-SSt
9		1	2306660	Double angle
10		2	3678839	High pressure hose
11		2	2306589	Reduction connection
12		2	2302468	Screwed connector
13		4	9970110	Sealing ring
14		6	9900150	Hexagon screw without shaft
15		4	9950608	Cable lug round, with isolation
16		1	9970153	Pressure gauge Sealing ring 1/4"
17		2	9951211	Earthing lug 2 m; 6.56 ft
18		2	9999059	Material pressure gauge radial 600 bar G1/4"
19		1	2303936	High pressure filter HDF-3 3/4"
20		2	9998680	Connector SF-FM-M20x1.5-G3/8" PN530-SSt
21		1	9974111	Seal
22		1	367962	Double connection DF-MM-G3/8"-M20x2 PN530-SSt
23		1	367126	Relief hose assy.
24		2	9907127	Lock screw PF-M-G3/8" PN530-SSt
25		1	2306669	Reduction connection
26		2	370329	Distributor

◆ = Wearing part

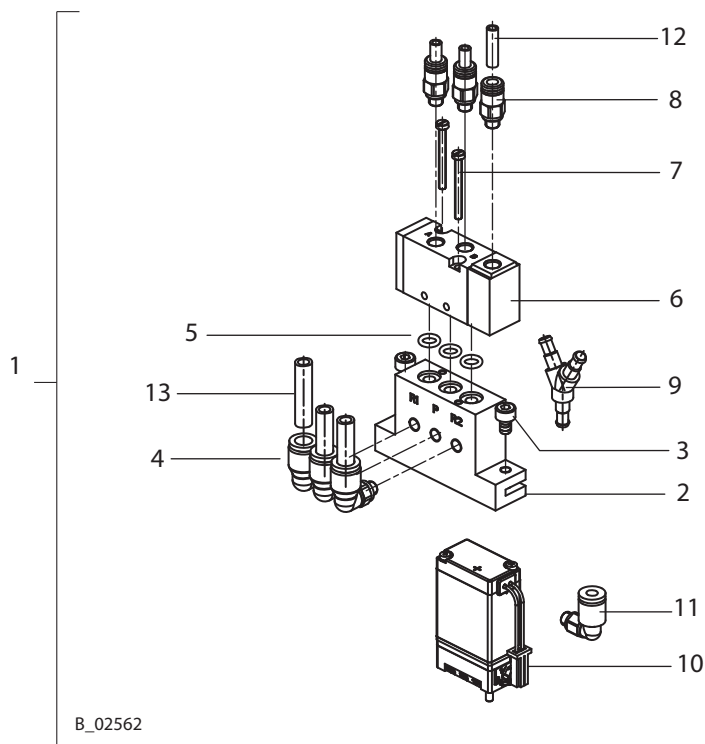
## 13.15 CONNECTING SET GFB 1

<b>Connecting set for Gun Flush Box GFB</b>	Use of the following basic equipments - TwinControl 5-60 ABS - TwinControl 18-40 ABS - TwinControl 28-40 ABS - TwinControl 35-70 ABS - TwinControl 35-150/70 ABS
---------------------------------------------	---------------------------------------------------------------------------------------------------------------------------------------------------------------------------------

### Spare parts list

Pos	K	Qty	Part No.	Description
1		1	2302563	Connecting set Gun Flush Box GFB 1
2		1	2302492	Valve block 5/2
3		2	9900392	Cheese head screw with hexagon
4		3	9998752	Angle screw-in connection
5		3	9974180	O-ring
6		1	9943146	Pneumatic valve 5/2
7		2	2301062	Cheese head screw with slit
8		3	9992723	Plug-in connection, straight
9		4	9998751	Y-connection
10		1	2301068	Solenoid valve 3/2
11		1	9992724	Angle screwing in connection
-		1	2306128	Assembly manual
		3 m	9982072	Hose (3 m; 9.84 ft)
		3 m	9982079	Hose black AD 6x1 (3 m; 9.84 ft)

◆ = Wearing part





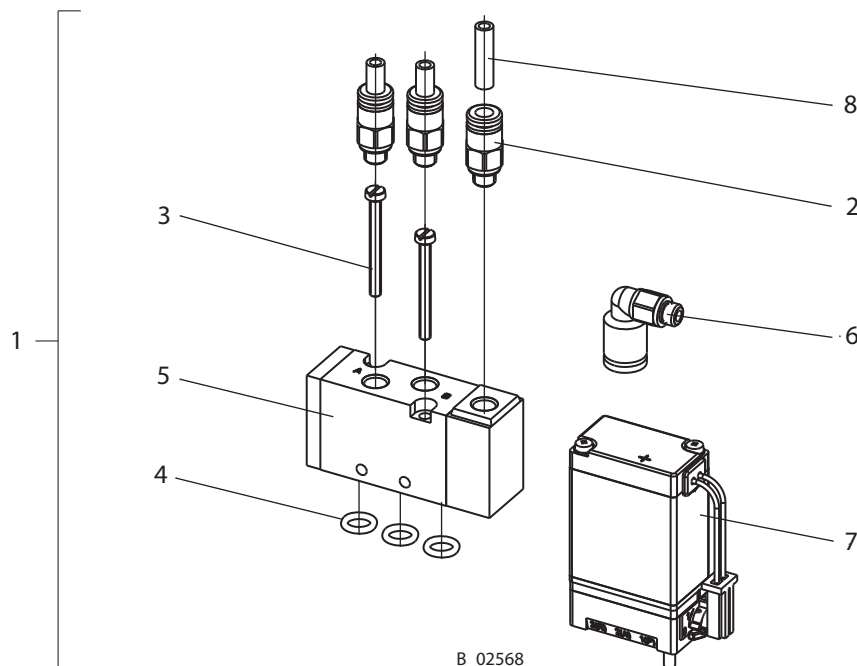
## 13.16 CONNECTING SET GFB 2

<b>Connecting set for Gun Flush Box GFB</b>	Use of the following basic equipments - TwinControl 48-110 ABS - TwinControl 75-150 ABS - TwinControl 72-300/150 ABS - TwinControl 72-300 ABS
---------------------------------------------	-----------------------------------------------------------------------------------------------------------------------------------------------------------

### Spare parts list

Pos	K	Qty	Part No.	Description
1		1	2302653	Connecting set for Gun Flush Box GFB 2
2		3	9992723	Plug-in connection, straight
3		2	2301062	Slotted cheese head screws
4		3	9974180	O-ring
5		1	9943146	Pneumatic valve 5/2
6		1	9992724	Angle screwing in connection
7		1	2301068	Solenoid valve 3/2
8		3 m	9982072	Air hose AD4 (3 m; 9.84 ft)
-		1	2306129	Assembly manual

◆ = Wearing part



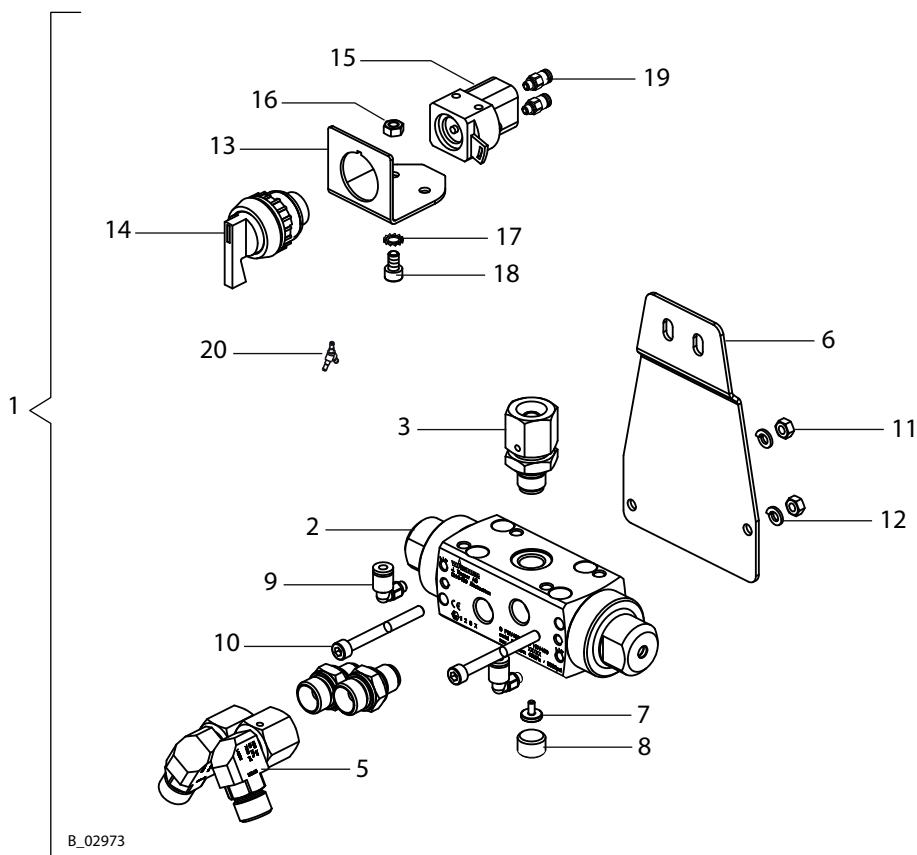
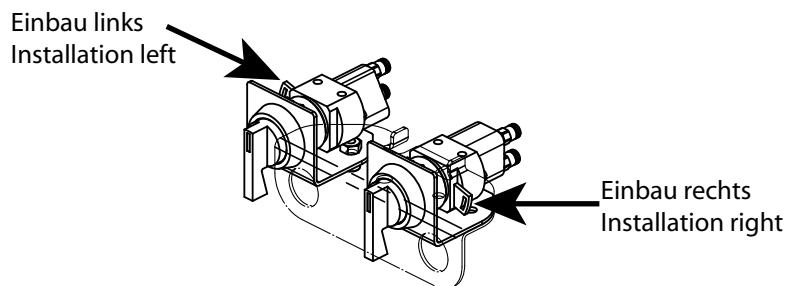
### 13.17 TC GUN DISTRIBUTION

<b>Distributor for 2 guns</b>	Use of the following basic equipments - TwinControl 5-60 ABS - TwinControl 18-40 ABS - TwinControl 28-40 ABS - TwinControl 35-70 ABS - TwinControl 35-150/70 ABS
-------------------------------	---------------------------------------------------------------------------------------------------------------------------------------------------------------------------------

#### Spare parts list


Pos	K	Qty	Part No.	Description
1		1	2306085	TC gun distribution
2		1	384203	Colour valve HM 2.6 mm/5 bar/400 bar
3		1	384116	Swivel part SF-FM-M16x1.5-G1/4" PN530-SSt
4		2	350499	Double connection DF-MM-G1/4"-M16x1.5 PN530-SSt
5		2	384117	Pipe elbow 90 degrees
6		1	2306062	Mounting plate
7		1	384323	Stopper
8		1	104376	Lock screw
9		2	9992724	Angle screwing in connection
10		2	9900335	Cheese head screw with hexagon
11		2	9921517	Spring ring
12		2	9910106	Hexagon nut
13		2	2306057	Angle bracket
14		2	9943072	Control knob 9302
15		2	9943062	Basic valve 3/2
16		2	9910102	Hexagon nut
17		2	9922017	Lock washer outside toothed
18		2	9906013	Cheese head screw with hexagon
19		4	9992723	Plug-in connection, straight
20		1	9992290	Connection Y pluggable
21		1	9982072	Air hose 2.5/4 mm PU black 3 m; 9.84 ft

◆ = Wearing part



### 13.18 ARCHIVING SOFTWARE TWINCONTROL V3

#### Spare parts list

Pos	K	Qty	Part No.	Description
-		1	2305858	USB Cable  <small>B_03033</small>
-		1	2309017	PC data archiving TC Manual V3 GER
-		1	2309018	PC data archiving TC Manual V3 GER
-		-	2309016	Archiving software TwinControl V3 (CD)

◆ = Wearing part

## 14 SERVICE SETS

### 14.1 SERVICE SETS FOR AIR MOTORS PP3000

Description	Order No.	Remarks
Service-Set Air motor 12"	370987	for Tiger - Air motor
Service-Set Air motor 9"	369987	for Jaguar - Air motor
Service-Set Air motor 6"	368995	for Leopard - Air motor
Service-Set Air motor 4"	367995	for Puma - Air motor
Service-Set Air motor 3"	366995	for Wildcat - Air motor

**Note:**

When the disassembly and assembling of the pumps the service manual is to be considered. The service manual is separately available in the following languages:

**Order No.**

367865 German

367866 English

### 14.2 SERVICE SETS FOR MATERIAL PUMPS PP3000

Description	Order No.	Remarks
Service-Set Pump PP300 ccm PE/L	370989	for Tiger - Material pump
Service-Set Pump PP300 ccm PE/T	369964	for Tiger - Material pump
Service-Set Pump PP150 ccm PE/TG	368990	for Jaguar - Material pump
Service-Set Pump PP150 ccm PE/T	368994	for Jaguar - Material pump
Service-Set Pump PP110 ccm PE/TG	368997	for Leopard - Material pump
Service-Set Pump PP110 ccm PE/T	2304930	for Leopard - Material pump
Service-Set Pump PP70 ccm PE/TG	368997	for Leopard - Material pump
Service-Set Pump PP70 ccm PE/T	2304930	for Leopard - Material pump
Service-Set Pump PP40 ccm PE/TG	367990	for Puma and Wildcat Material pump
Service-Set Pump PP40 ccm PE/T	367994	for Puma and Wildcat Material pump

**Note:**

When the disassembly and assembling of the pumps the service manual is to be considered. The service manual is separately available in the following languages:

**Order No.**

367865 German

367866 English

### 14.3 SERVICE SETS FOR PISTON PUMPS EVOMOTION

Description	Part No.	Remarks
Service-Set Air motor 5-60	T9096.00	for EvoMotion - Material pump
Service-Set Material pump 5-60	T9097.00	for EvoMotion - Material pump

**Note:**

When the disassembly and assembling of the pumps the operating manual is to be considered.

**Order No.** see chapter 1.

<p><b>Germany</b> J. WAGNER GmbH Otto-Lilienthal-Str. 18 Postfach 1120 D- 88677 Markdorf Telephone: +49 7544 5050 Telefax: +49 7544 505200 E-Mail: service.standard@wagner-group.com</p>	<p><b>Switzerland</b> J. WAGNER AG Industriestrasse 22 Postfach 663 CH- 9450 Altstätten Telephone: +41 (0)71 757 2211 Telefax: +41 (0)71 757 2222 E-Mail: rep-ch@wagner-group.ch</p>
<p><b>Belgium</b> WAGNER Spraytech Benelux BV Veilinglaan 58 B- 1861 Wolvertem Telephone: +32 (0)2 269 4675 Telefax: +32 (0)2 269 7845 E-Mail: info@wsb-wagner.be</p>	<p><b>Denmark</b> WAGNER Industrial Solution Scandinavia Viborgvej 100, Skærgær DK- 8600 Silkeborg Telephone: +45 70 200 245 Telefax: +45 86 856 027 E-Mail info@wagner-industri.com</p>
<p><b>United Kingdom</b> WAGNER Spraytech (UK) Ltd. Haslemere Way Tramway Industrial Estate GB- Banbury, OXON OX16 8TY Telephone: +44 (0)1295 265 353 Telefax: +44 (0)1295 269861 E-Mail: enquiries@wagnerspraytech.co.uk</p>	<p><b>France</b> J. WAGNER France S.A.R.L. Parc de Gutenberg - Bâtiment F8 8, Voie la Cardon F- 91127 Palaiseau-Cedex Telephone: +33 1 825 011 111 Telefax: +33 1691 946 55 E-Mail: division.solutionsindustrielles@wagner-france.fr</p>
<p><b>Netherlands</b> WAGNER SPRAYTECH Benelux BV Zonnebaan 10 NL- 3542 EC Utrecht  Telephone: +31 (0) 30 241 4155 Telefax: +31 (0) 30 241 1787 E-Mail: info@wsb-wagner.nl</p>	<p><b>Italy</b> WAGNER COLORA S.r.l Via Fermi, 3 I- 20040 Burago di Molgora (MI)  Telephone: +39 039 625021 Telefax: +39 039 6851800 E-Mail: info@wagnercolora.com</p>
<p><b>Japan</b> WAGNER Spraytech Ltd. 2-35, Shinden Nishimachi J- Daito Shi, Osaka, 574-0057  Telephone: +81 (0) 720 874 3561 Telefax: +81/ (0) 720 874 3426 E-Mail: marketing@wagner-japan.co.jp</p>	<p><b>Austria</b> J. WAGNER GmbH Otto-Lilienthal-Str. 18 Postfach 1120 D- 88677 Markdorf Telephone: +49 (0) 7544 5050 Telefax: +49 (0) 7544 505200 E-Mail: service.standard@wagner-group.com</p>
<p><b>Sweden</b> WAGNER Industrial Solutions Scandinavia Skolgatan 61 SE- 568 31 Skillingaryd Telephone: +46 (0) 370 798 30 Telefax: +46 (0) 370 798 48 E-Mail: info@wagner-industri.com</p>	<p><b>Spain</b> WAGNER Spraytech Iberica S.A. Ctra. N- 340, Km. 1245,4 E- 08750 Molins de Rei (Barcelona) Telephone: +34 (0) 93 680 0028 Telefax: +34 (0) 93 668 0156 E-Mail: info@wagnerspain.com</p>
<p><b>Czechoslovakia</b> WAGNER s.r.o. Nedasovská Str. 345 15521 Praha 5 - Zlčín Telephone: +42 (0) 2 579 50 412 Telefax: +42 (0)2 579 51 052 E-Mail: info@wagner.cz</p>	<p><b>USA</b> WAGNER Systems Inc. 300 Airport Road, unit 1 Elgin, IL 60123 USA Telephone: +1 630 503 2400 Telefax: +1 630 503 2377 E-Mail: info@wagnersystemsinc.com</p>



# WAGNER



Order number 393881

**Germany**

J. WAGNER GmbH  
Otto-Lilienthal-Str. 18  
Postfach 1120  
D- 88677 **Markdorf**  
Telephone ++49/ (0)7544 / 5050  
Telefax ++49/ (0)7544 / 505200  
E-Mail: [service.standard@wagner-group.com](mailto:service.standard@wagner-group.com)

**Switzerland**

J. WAGNER AG  
Industriestrasse 22  
Postfach 663  
CH- 9450 **Altstätten**  
Telephone ++41/ (0)71 / 757 2211  
Telefax ++41/ (0)71 / 757 2222  
E-Mail: [rep-ch@wagner-group.ch](mailto:rep-ch@wagner-group.ch)

[www.wagner-group.com](http://www.wagner-group.com)